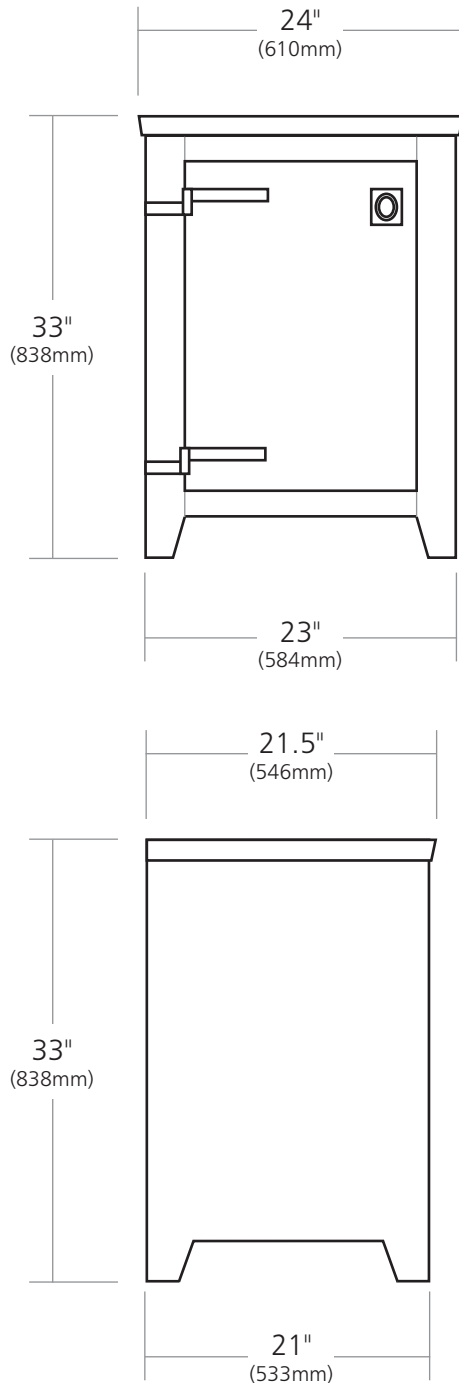


SPECIFICATIONS

24" AMERICANA VANITY

Americana Collection



- VNB241 - Chestnut
- VNB240 - Whitewash
- VNB248 - Anvil
- VNB249 - Driftwood

PRODUCT DETAILS

- 24"w x 21.5"d x 33"h (610mm x 546mm x 838mm)
- Handcrafted by American artisans from reclaimed wood
- Hand forged iron hinges and pull
- Solid wood back
- Hand rubbed finish

INSTALLATION

- Freestanding vanity base

COORDINATING PRODUCTS

- Any Native Trails, copper or stone vanity top
- Americana Mirror, Cabinet, Cubby and Hutch

IMPORTANT

Due to the handcrafted nature of this product, it will vary in finish, texture, and other details. Dimensions may vary up to 1/2" (13mm).

SPECIFICATIONS

PALOMA



CPS259- Antique
CPS559- Brushed Nickel

PRODUCT DETAILS

- 13.75" x 6" OD (349mm x 152mm)
- 12" x 5.5" ID (305mm x 140mm)
- Hand hammered 16 gauge recycled copper
- 1.5" (38mm) drain opening
- Dimensions are not exact and may vary $\pm 1/2"$ (13mm)

*This product may be customized.
See nativetrails.net/customization for details.*

INSTALLATION

- Universal Mount

COORDINATING PRODUCTS

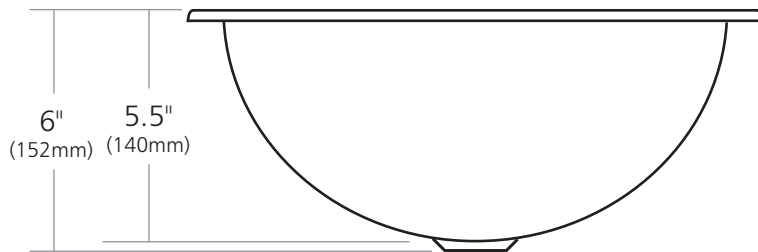
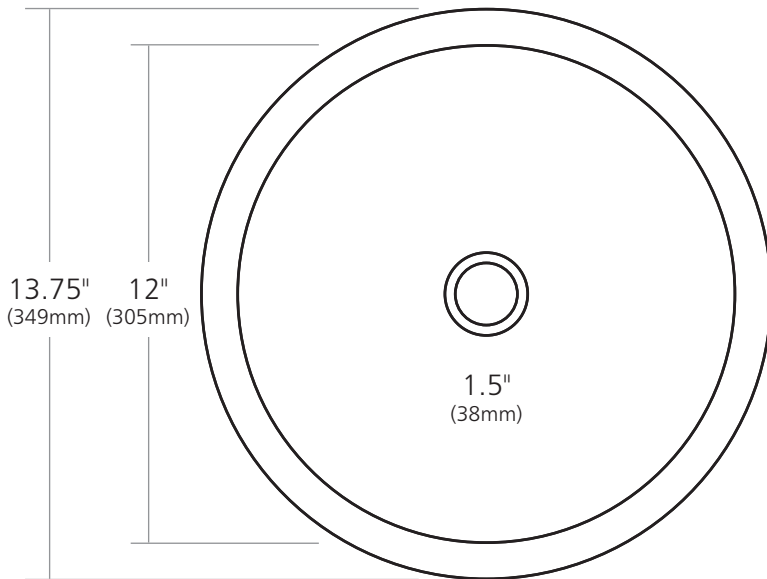
- Drains: DR120, DR150 or DR160

STANDARDS COMPLIANCE

- UPC/cUPC compliant
- **ADA**  COMPLIANT

IMPORTANT

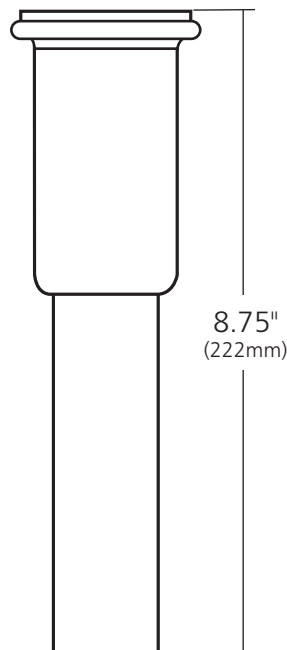
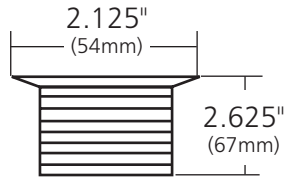
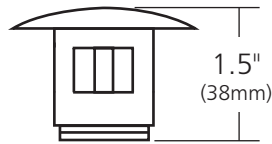
Due to the handcrafted nature of this product, it will vary in finish, texture, hammering, and other details. Dimensions may vary up to 1/2" (13mm). We strongly recommend waiting for the actual product before making any installation cuts.



SPECIFICATIONS

1.5" DOME DRAIN

Lavatory



- DR120-BN Brushed Nickel
- DR120-CH Chrome
- DR120-ORB Oil Rubbed Bronze
- DR120-PC Polished Copper
- DR120-PN Polished Nickel
- DR120-WC Weathered Copper

PRODUCT DETAILS

- Fits 1.5" (38mm) drain opening
- Provides for superior water flow while elegantly covering entire drain area of basin
- Dome does not seal water in bowl; it is designed for basins without overflows
- Maximum threading for easy installation
- All exposed parts are plated
- Overall length when assembled is 9.75" (248mm)
- UPC/cUPC compliant

COORDINATING PRODUCTS

- Lavatory basin with 1.5" (38mm) drain opening