

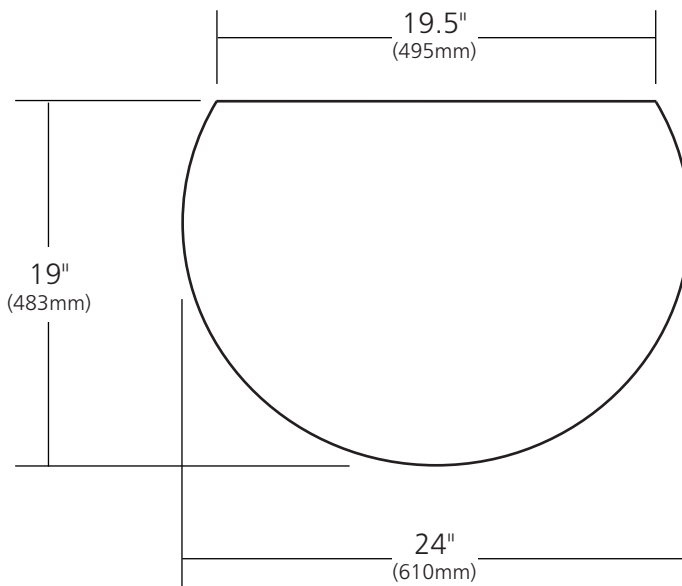
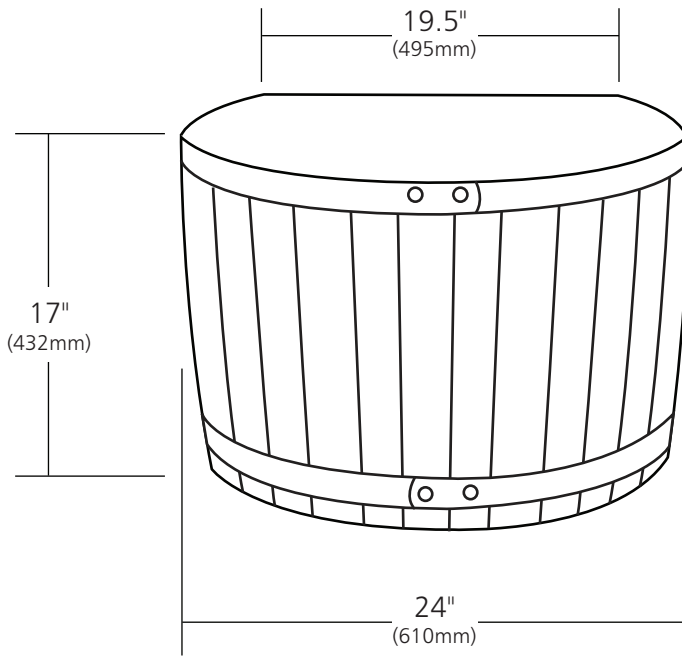
SPECIFICATIONS

BORDEAUX WALL MOUNT

Vintner's Collection

VNW241 - Oak

VNW248 - Anvil



PRODUCT DETAILS

- 24"w x 19"d x 17"h (610mm x 483mm x 432mm)
- Salvaged oak wine barrel, repurposed for use as a bath vanity or wet bar
- Access for plumbing underneath
- Custom blended, hand-rubbed wax finish

INSTALLATION

- Wall Mount (built-in French cleat included)

COORDINATING PRODUCTS

- Bordeaux Mirror (*shown, coordinates with Oak finish*)
- Americana Mirror in Anvil (*coordinates with Anvil finish*)
- Portola Mirror in Slate (*shown, coordinates with Anvil finish*)
- Bordeaux Copper Vanity Top
- Any Native Trails stone or quartz vanity top
- Combine with lavatory sinks: Maestro Petit and Sonata Petit Vessels, (Rolled) Baby Classic, Paloma
- Combine with bar sinks: Diego or Malibu

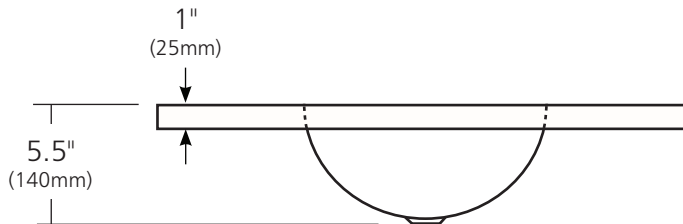
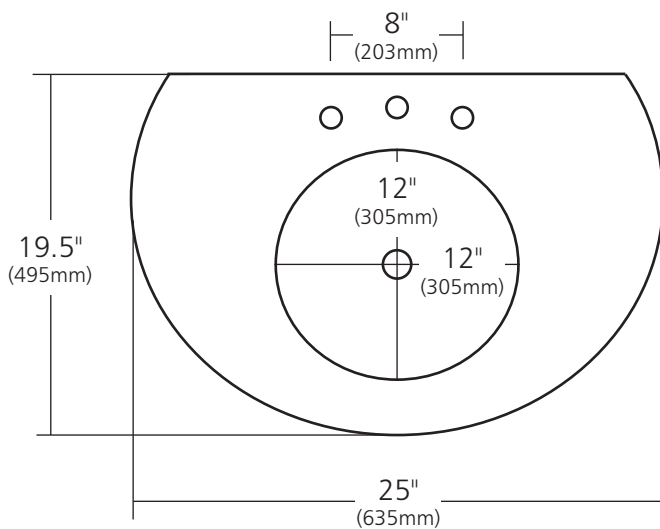
IMPORTANT

Due to the handcrafted nature of this product, it will vary in finish, texture, and other details. Dimensions may vary up to 1/2" (13mm).

SPECIFICATIONS

**BORDEAUX COPPER
VANITY TOP**

VNT202- Antique



PRODUCT DETAILS

- 25" x 19.5" OD (635mm x 495mm)
- Basin: 12" x 12" x 5.5" ID (305mm x 305mm x 140mm)
- Hand hammered, 16 gauge recycled copper
- 1.5" (38mm) drain opening
- Drilled for 8" (203mm) faucet spread
- Dimensions are not exact and may vary $\pm 1/2"$ (13mm)

COORDINATING PRODUCTS

- Bordeaux Wall Mount
- Drains: DR120, DR150 or DR160
- Bordeaux Mirror
- Sedona Mirrors

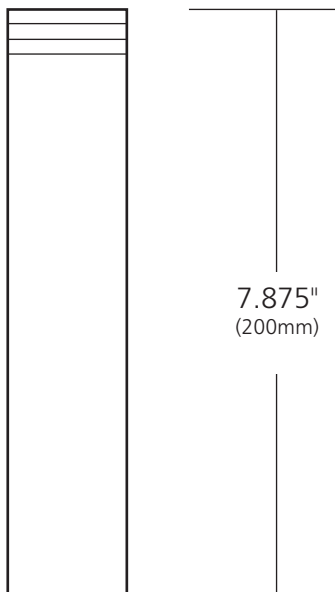
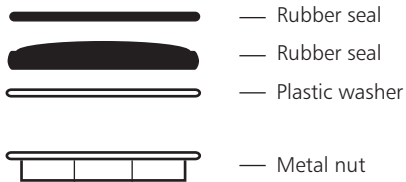
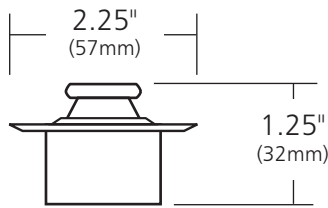
IMPORTANT

Due to the handcrafted nature of this product, it will vary in finish, texture, hammering, and other details. Dimensions may vary up to 1/2" (13mm).

SPECIFICATIONS

1.5" LIFT & TURN DRAIN

Lavatory



- DR160-BN Brushed Nickel
- DR160-CH Chrome
- DR160-PN Polished Nickel
- DR160-ORB Oil Rubbed Bronze
- DR160-WC Weathered Copper

PRODUCT DETAILS

- Fits 1.5" (38mm) drain opening
- Maximum threading for easy installation
- Features a forged brass nut and heavy 17 gauge tube
- All exposed parts are plated
- Overall length when assembled is 8.75" (222mm)
- Designed for lavatory sinks without overflow
- UPC/cUPC compliant

COORDINATING PRODUCTS

- Lavatory basin with 1.5" (38mm) drain opening