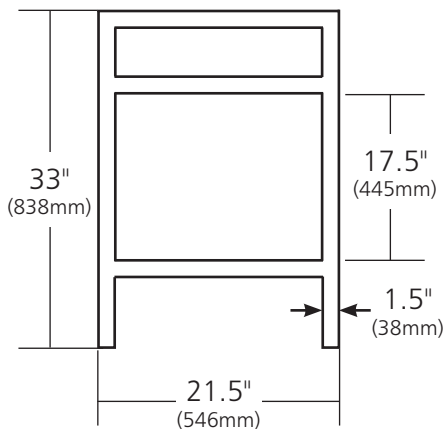
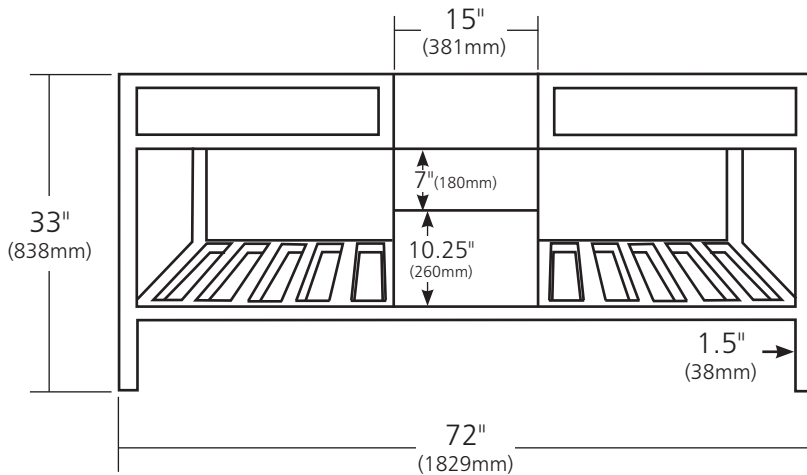


SPECIFICATIONS

72" CUZCO VANITY

Cuzco Collection



- VNR722 Antique
- VNR725 Brushed Nickel
- VNR726 Carrara

PRODUCT DETAILS

- 72" w x 21.5" d x 33" h (1829mm x 546mm x 838mm)
- Handcrafted, powder-coated steel frame with hand-hammered recycled copper or Carrara marble panels
- Two push-to-open drawers

INSTALLATION

- Freestanding vanity base

COORDINATING PRODUCTS

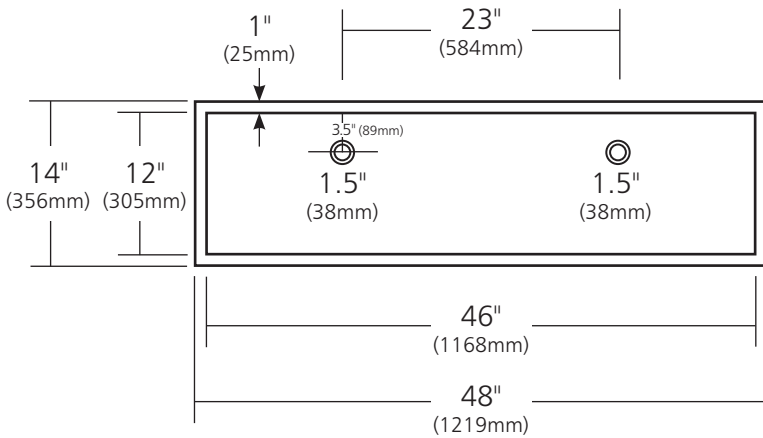
- Any Native Trails stone or quartz vanity top
- Decorative bottle trap
- Havana, Cuzco or Asana Mirror
- Cuzco Linen Tower
- Any Native Trails lavatory sink(s) 48" (1219mm) wide or less

IMPORTANT

Due to the handcrafted nature of this product, it will vary in finish, texture, and other details. Dimensions may vary up to 1/2" (13mm).

SPECIFICATIONS

TROUGH 48



- CPS208- Antique
- CPS508- Brushed Nickel
- CPS408- Polished Copper
- CPS808- Polished Nickel

PRODUCT DETAILS

- 48" x 14" x 6" OD (1219mm x 356mm x 152mm)
- 46" x 12" x 5.5" ID (1168mm x 305mm x 140mm)
- Hand hammered 16 gauge recycled copper
- Two 1.5" (38mm) drain openings

This product may be customized – see nativetrails.net/customization for details.

INSTALLATION

- Universal Mount (Drop-in or Undermount)

COORDINATING PRODUCTS

- Drains: DR120, DR130, DR150 or DR160

STANDARDS COMPLIANCE

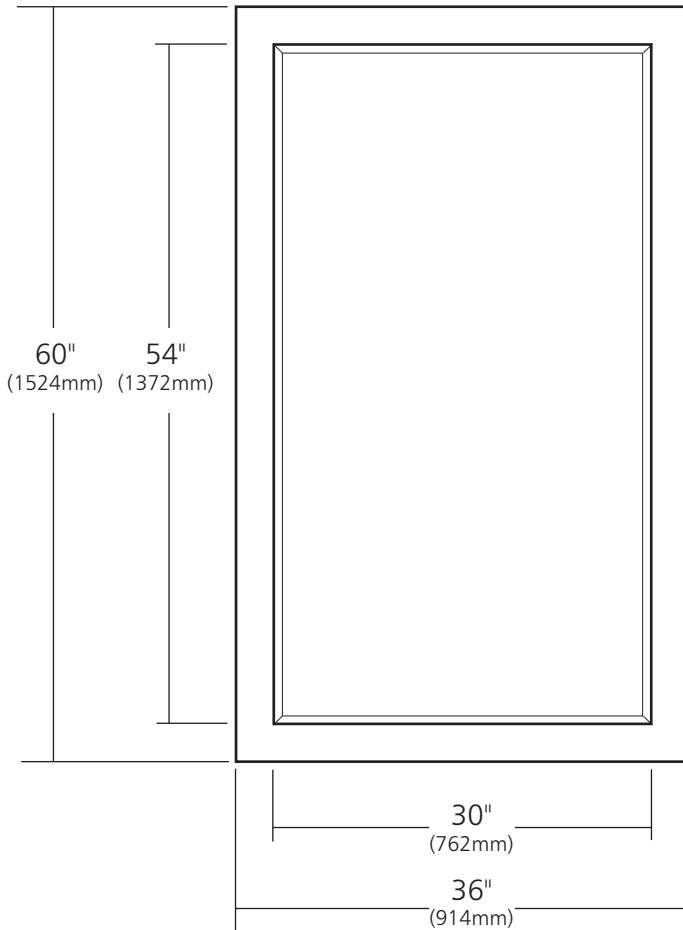
- UPC/cUPC compliant
- **ADA**  COMPLIANT

IMPORTANT

Due to the handcrafted nature of this product, it will vary in finish, texture, hammering, and other details. Dimensions may vary up to 1/2" (13mm). We strongly recommend waiting for the actual product before making any installation cuts.

SPECIFICATIONS

LARGE MILANO MIRROR



CPM296- Antique
CPM96- Tempered

PRODUCT DETAILS

- 36" x 60" OD (914mm x 1524mm)
- Hand hammered recycled copper
- Beveled glass

INSTALLATION

- Vertical or horizontal
- French cleat included for easy installation

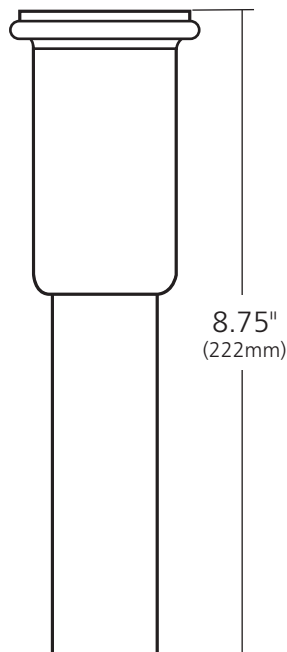
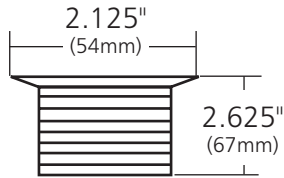
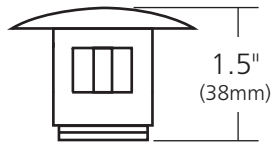
IMPORTANT

Due to the handcrafted nature of this product, it will vary in finish, texture, hammering, and other details. Dimensions may vary up to 1/2" (13mm).

SPECIFICATIONS

1.5" DOME DRAIN

Lavatory



- DR120-BN Brushed Nickel
- DR120-CH Chrome
- DR120-ORB Oil Rubbed Bronze
- DR120-PC Polished Copper
- DR120-PN Polished Nickel
- DR120-WC Weathered Copper

PRODUCT DETAILS

- Fits 1.5" (38mm) drain opening
- Provides for superior water flow while elegantly covering entire drain area of basin
- Dome does not seal water in bowl; it is designed for basins without overflows
- Maximum threading for easy installation
- All exposed parts are plated
- Overall length when assembled is 9.75" (248mm)
- UPC/cUPC compliant

COORDINATING PRODUCTS

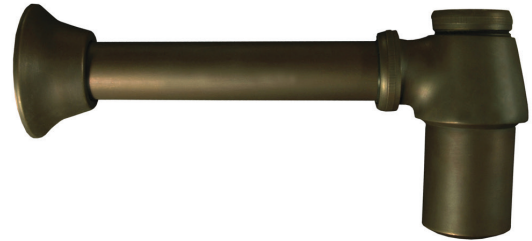
- Lavatory basin with 1.5" (38mm) drain opening

SPECIFICATIONS

DECORATIVE BOTTLE TRAP

Lavatory

- DR550-BN Brushed Nickel
- DR550-CH Chrome
- DR550-ORB Oil Rubbed Bronze



PRODUCT DETAILS

- Fully plated trap
- Perfect for exposed plumbing
- 16" (406mm) tail tube in heavy 17 gauge brass
- Features forged brass nut
- Includes Bell Flange

