

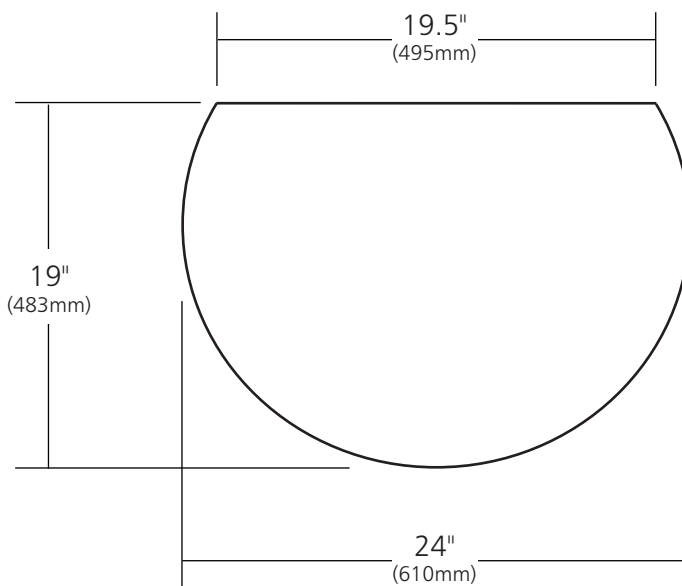
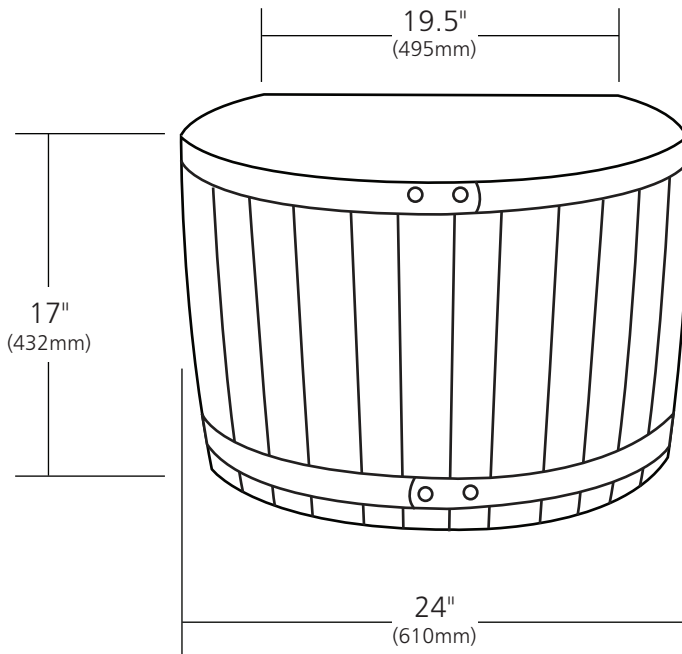
## SPECIFICATIONS

# BORDEAUX WALL MOUNT

Vintner's Collection

VNW241 - Oak

VNW248 - Anvil



### PRODUCT DETAILS

- 24"w x 19"d x 17"h (610mm x 483mm x 432mm)
- Salvaged oak wine barrel, repurposed for use as a bath vanity or wet bar
- Access for plumbing underneath
- Custom blended, hand-rubbed wax finish

### INSTALLATION

- Wall Mount (built-in French cleat included)

### COORDINATING PRODUCTS

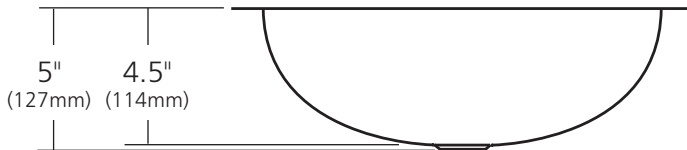
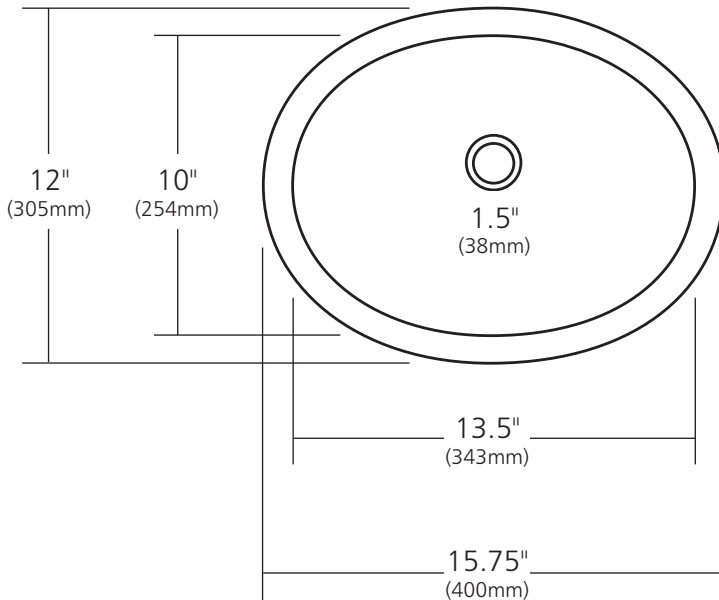
- Bordeaux Mirror (*shown, coordinates with Oak finish*)
- Americana Mirror in Anvil (*coordinates with Anvil finish*)
- Portola Mirror in Slate (*shown, coordinates with Anvil finish*)
- Bordeaux Copper Vanity Top
- Any Native Trails stone or quartz vanity top
- Combine with lavatory sinks: Maestro Petit and Sonata Petit Vessels, (Rolled) Baby Classic, Paloma
- Combine with bar sinks: Diego or Malibu

### IMPORTANT

Due to the handcrafted nature of this product, it will vary in finish, texture, and other details. Dimensions may vary up to 1/2" (13mm).

SPECIFICATIONS

**BABY CLASSIC**



- CPS238- Antique
- CPS538- Brushed Nickel
- CPS438- Polished Copper
- CPS838- Polished Nickel

**PRODUCT DETAILS**

- 15.75" x 12" x 5" OD (400mm x 305mm x 127mm)
- 13.5" x 10" x 4.5" ID (343mm x 254mm x 114mm)
- Hand hammered 18 gauge recycled copper
- 1.5" (38mm) drain opening
- Dimensions are not exact and may vary  $\pm 1/2"$  (13mm)

*This product may be customized.  
See [nativetrails.net/customization](http://nativetrails.net/customization) for details.*

**INSTALLATION**

- Undermount

**COORDINATING PRODUCTS**

- Drains : DR120, DR130, DR150 or DR160
- MetalProtect™

**STANDARDS COMPLIANCE**

- UPC/cUPC compliant
- **ADA**  COMPLIANT

**IMPORTANT**

Due to the handcrafted nature of this product, it will vary in finish, texture, hammering, and other details. Dimensions may vary up to 1/2" (13mm). We strongly recommend waiting for the actual product before making any installation cuts.

*SPECIFICATIONS*

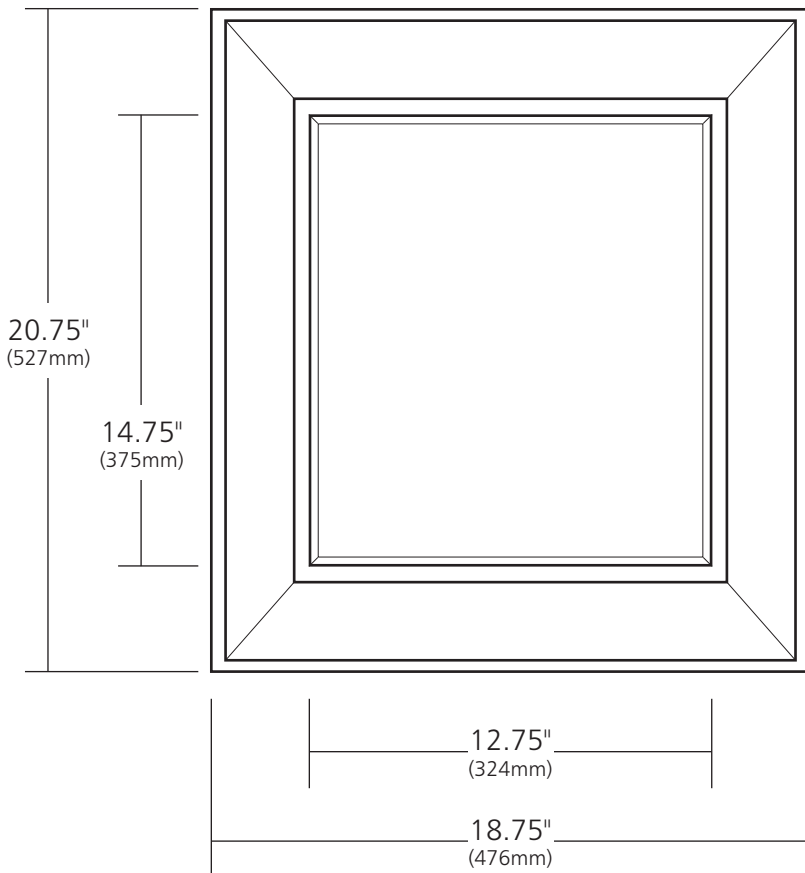
**BORDEAUX MIRROR**

*Vintner's Collection*

MR119



Barrel maker's stamp, unique to each piece



**PRODUCT DETAILS**

- 18.75" x 20.75" OD (476mm x 527mm)
- Beveled glass
- Salvaged oak wine barrel tops & bottoms
- Barrel maker's stamp is unique to each mirror

**INSTALLATION**

- Vertical or Horizontal
- French cleat included for easy installation

**COORDINATING PRODUCTS**

- Bordeaux Wall Mount

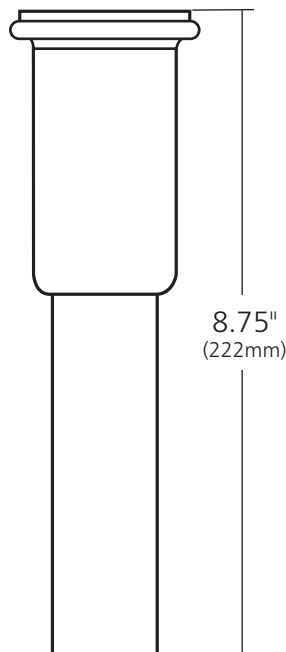
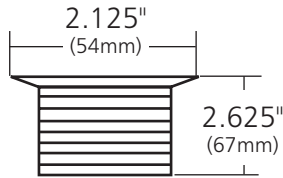
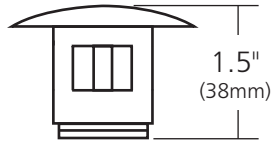
**IMPORTANT**

Due to the handcrafted nature of this product, it will vary in finish, texture, and other details. Dimensions may vary up to 1/2" (13mm).

*SPECIFICATIONS*

**1.5" DOME DRAIN**

Lavatory



- DR120-BN Brushed Nickel
- DR120-CH Chrome
- DR120-ORB Oil Rubbed Bronze
- DR120-PC Polished Copper
- DR120-PN Polished Nickel
- DR120-WC Weathered Copper

**PRODUCT DETAILS**

- Fits 1.5" (38mm) drain opening
- Provides for superior water flow while elegantly covering entire drain area of basin
- Dome does not seal water in bowl; it is designed for basins without overflows
- Maximum threading for easy installation
- All exposed parts are plated
- Overall length when assembled is 9.75" (248mm)
- UPC/cUPC compliant

**COORDINATING PRODUCTS**

- Lavatory basin with 1.5" (38mm) drain opening