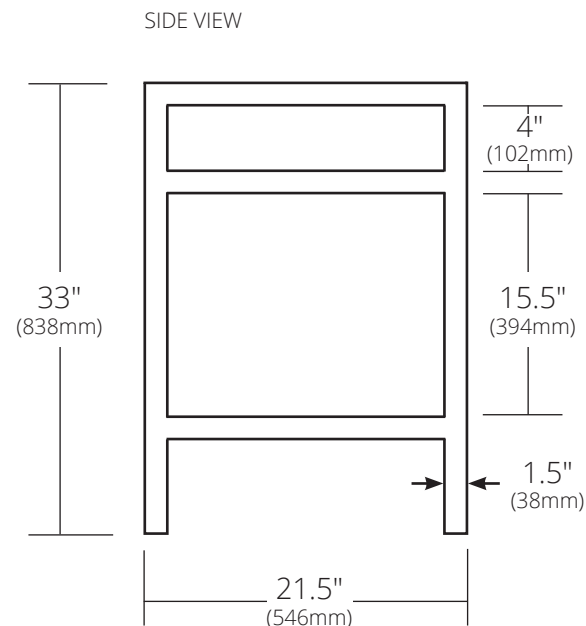
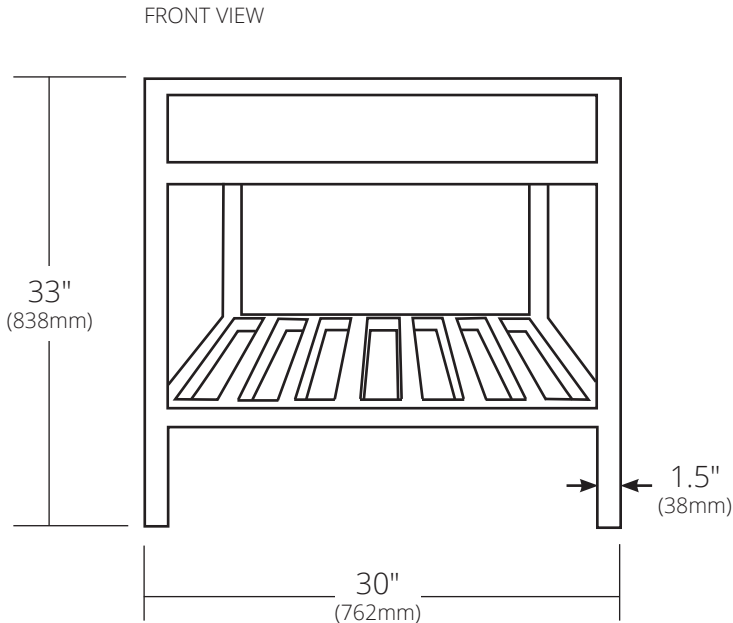


SPECIFICATIONS

30" CUZCO VANITY

Cuzco Collection



VNR302 Antique
 VNR305 Brushed Nickel
 VNR306 Carrara

PRODUCT DETAILS

- 30"w x 21.5"d x 33"h (762mm x 546mm x 838mm)
- Handcrafted, powder-coated steel frame with hand-hammered recycled copper or Carrara marble panels

INSTALLATION

- Freestanding vanity base

COORDINATING PRODUCTS

- Any Native Trails stone or quartz vanity top
- Decorative bottle trap
- Havana, Cuzco or Asana Mirror
- Cuzco Linen Tower
- Any Native Trails lavatory sink less than 30" (762mm)

IMPORTANT

Due to the handcrafted nature of this product, it will vary in finish, texture, and other details. Dimensions may vary up to 1/4" (6mm).