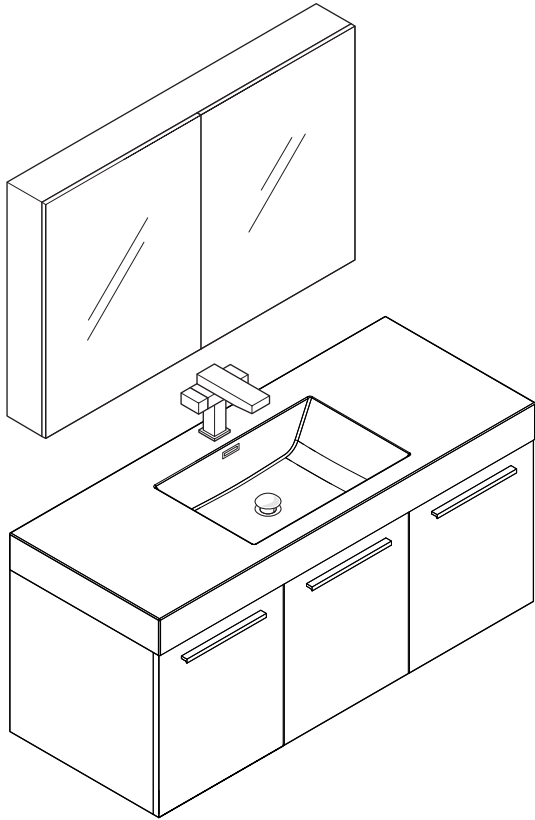
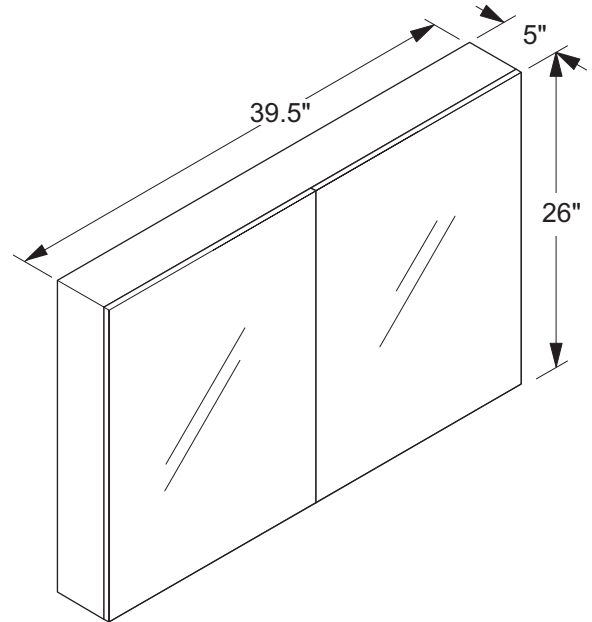


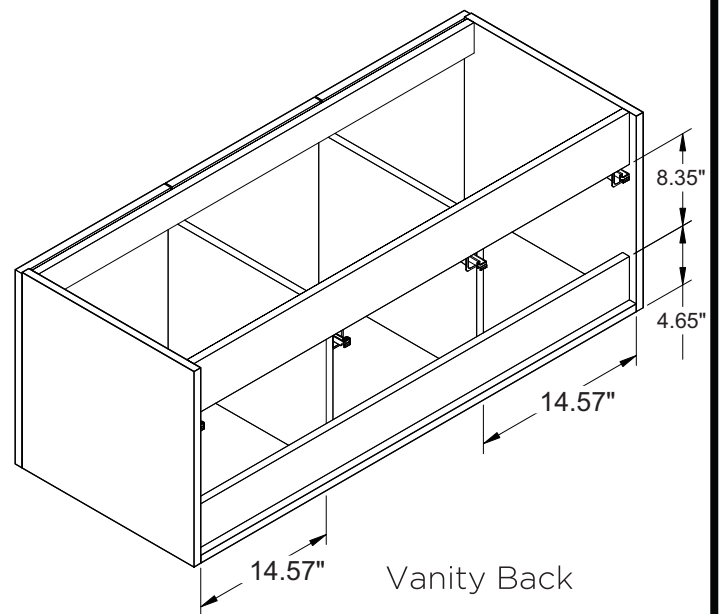
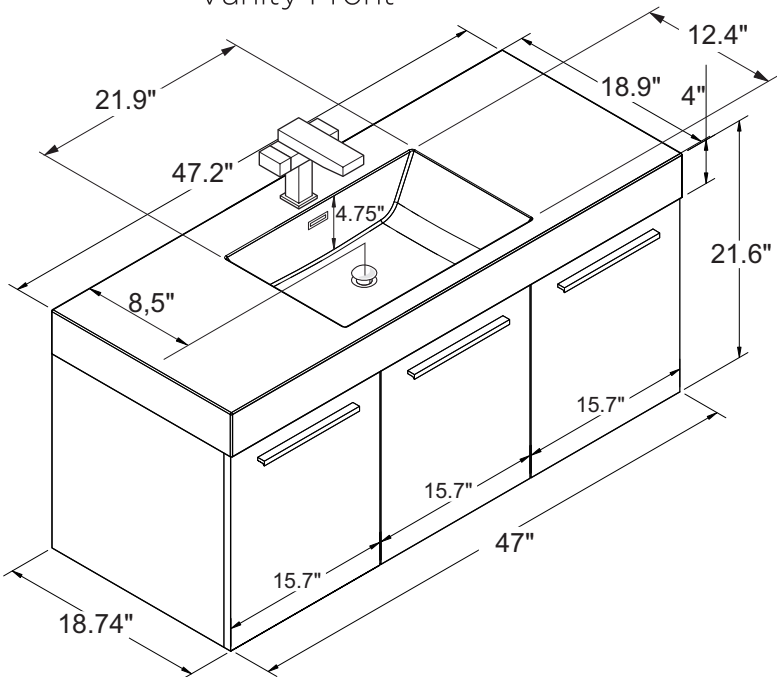
FVN8092
VISTA
INSTALLATION GUIDE



Medicine Cabinet



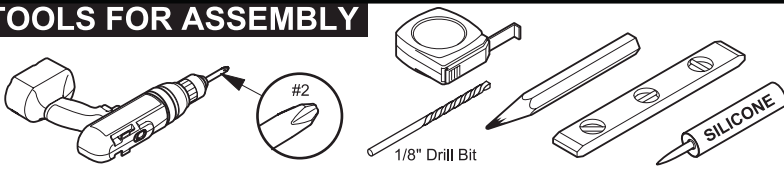
Vanity Front



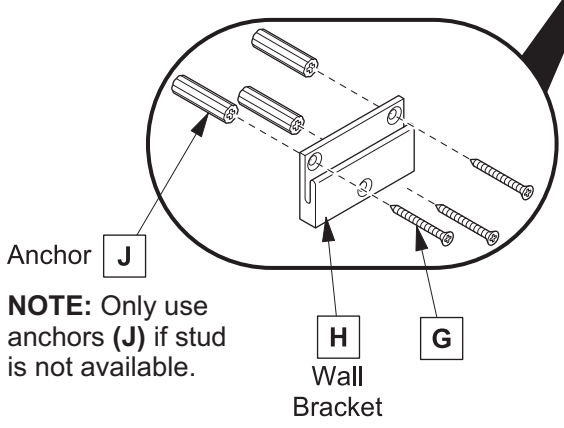
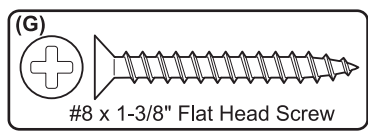
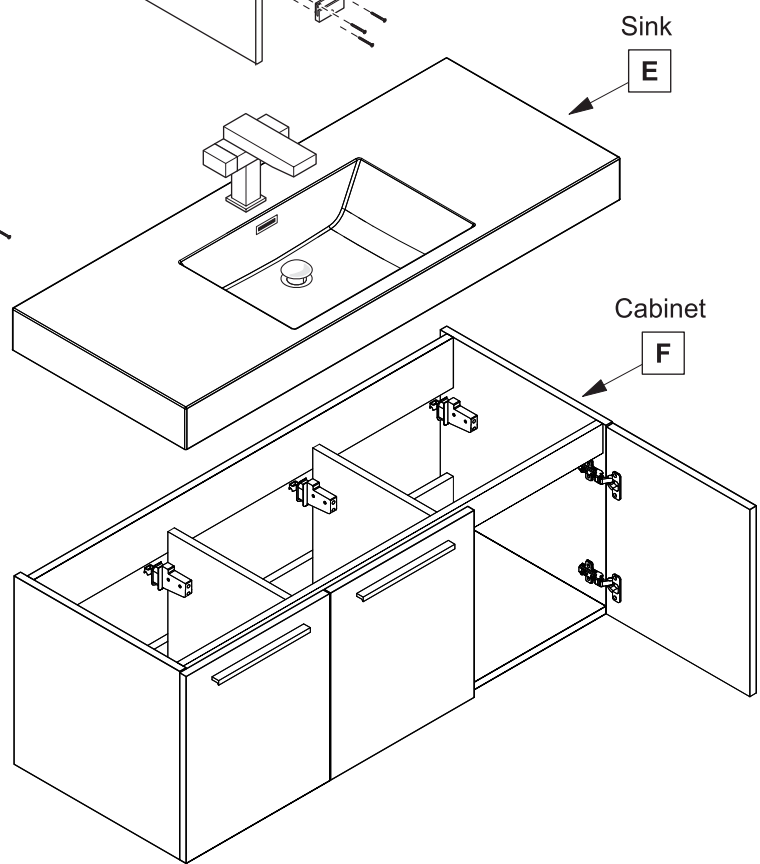
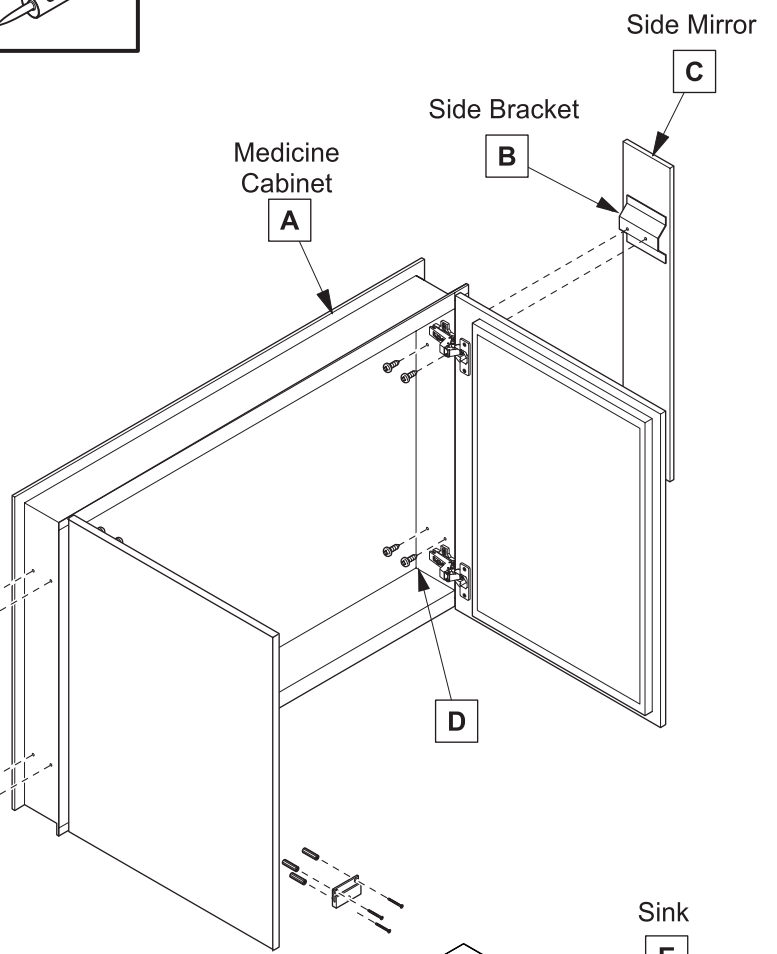
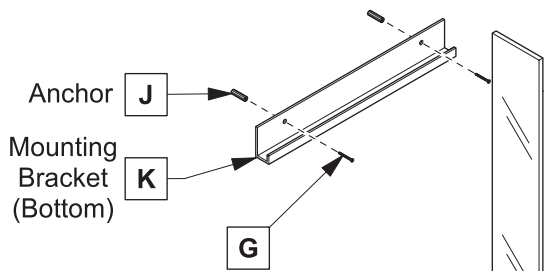
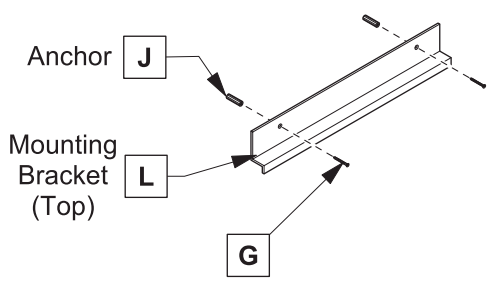
Vanity Back

 ALL DIMENSIONS & SPECIFICATIONS ARE APPROXIMATE AND SUBJECT TO CHANGE WITHOUT NOTICE.

TOOLS FOR ASSEMBLY



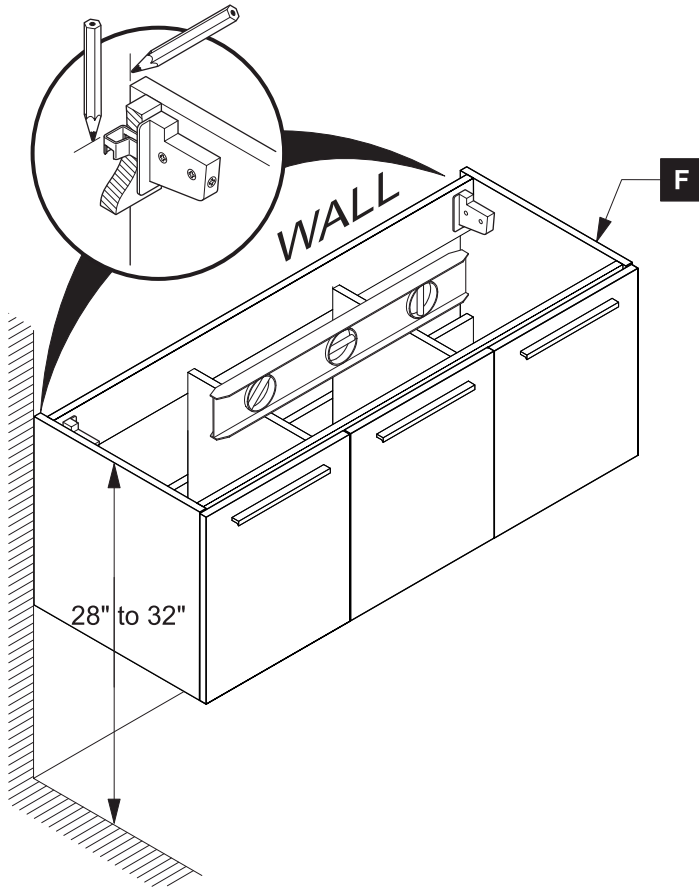
PARTS



NOTE: Only use anchors (J) if stud is not available.

1

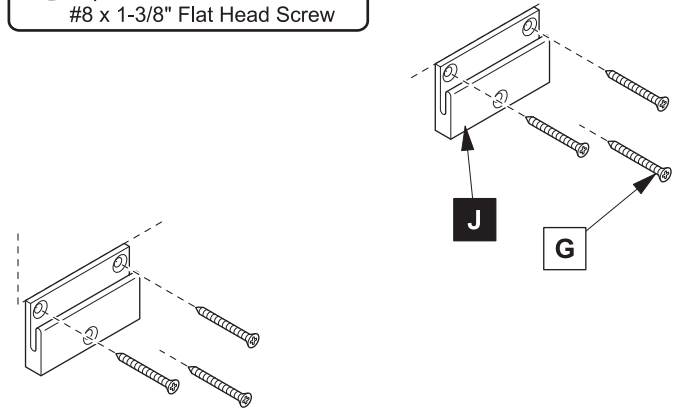
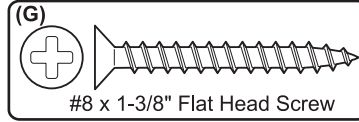
Locate cabinet (F) & mark location on the wall



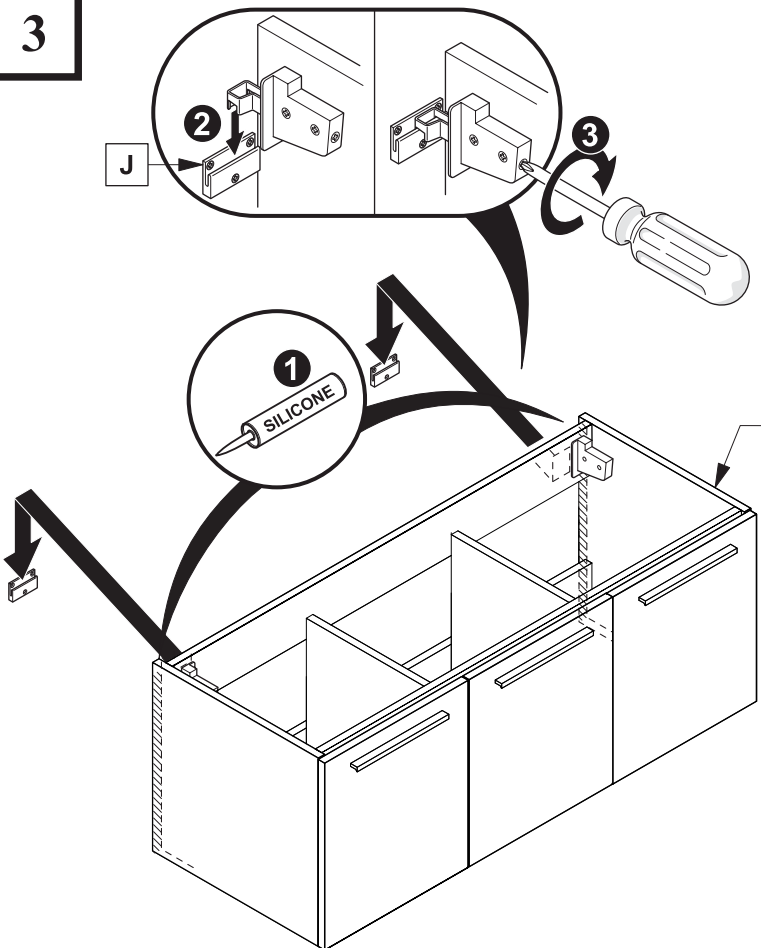
2

Install wall brackets (J)

IMPORTANT: Consult an expert for the proper screws / bolts to use when attaching to various wall constructions. Screws provided *do not* attach to all wall construction types.

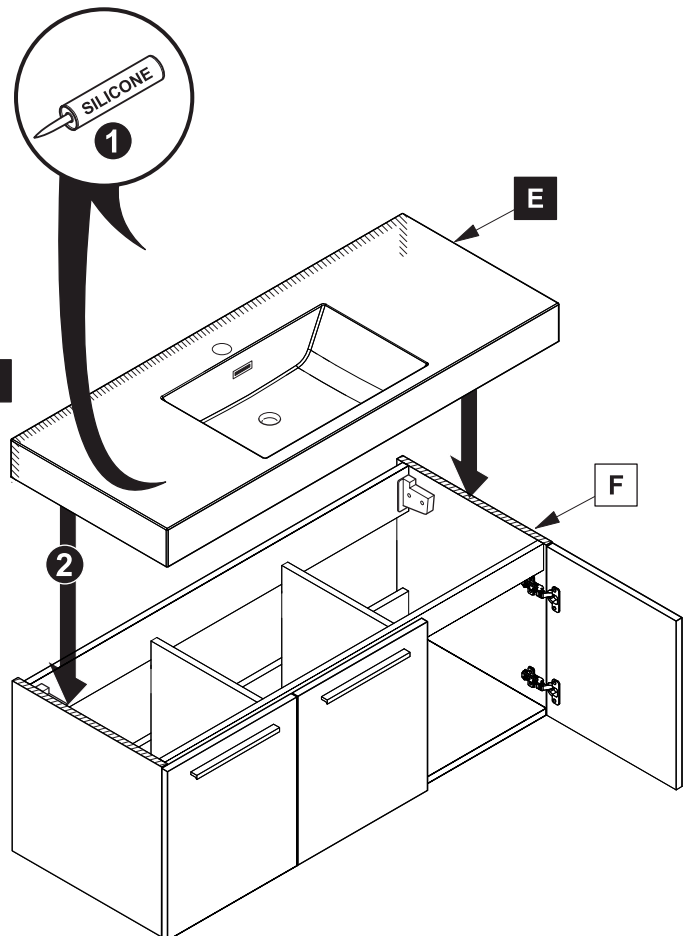


3



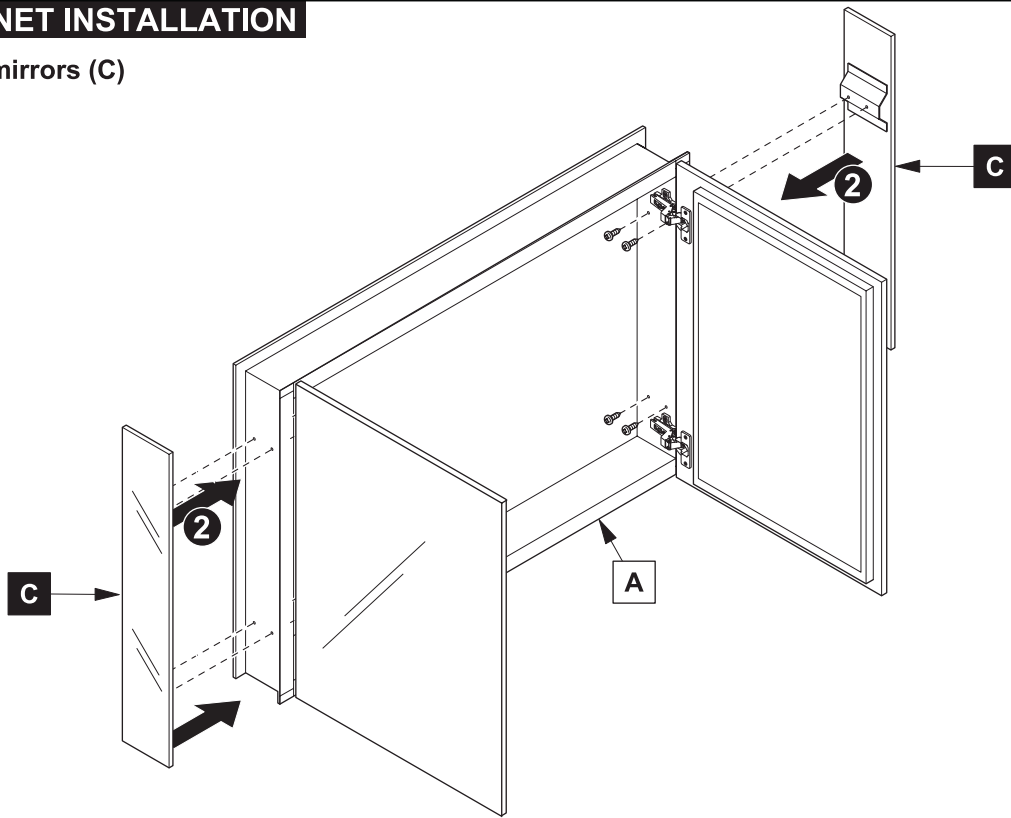
4

Apply silicone and install sink (E)

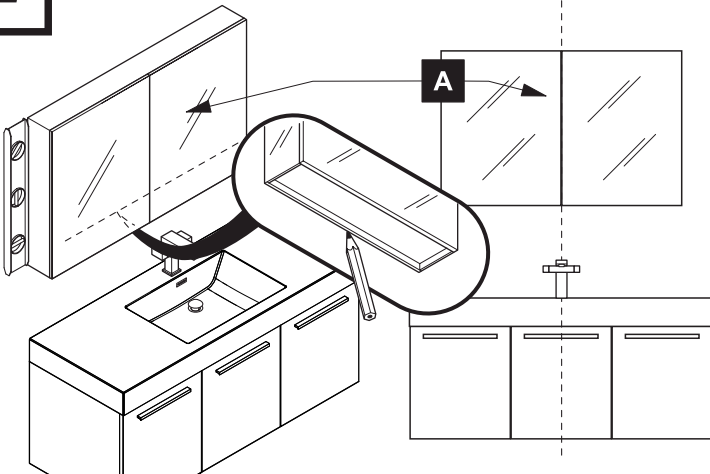


MEDICINE CABINET INSTALLATION

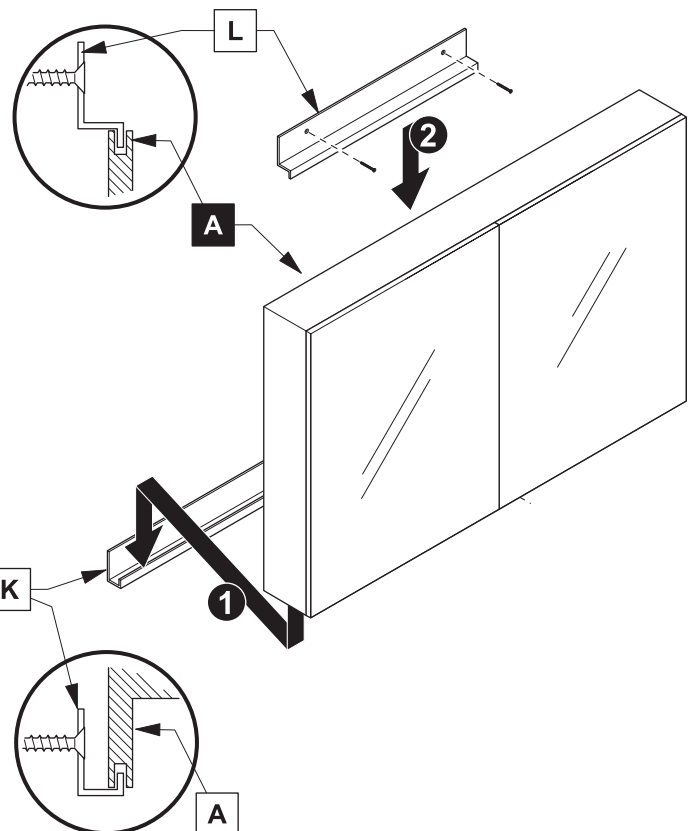
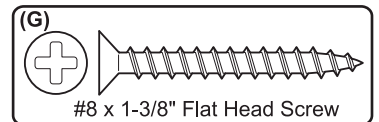
1 Install side mirrors (C)



2 Mark cabinet (A) location

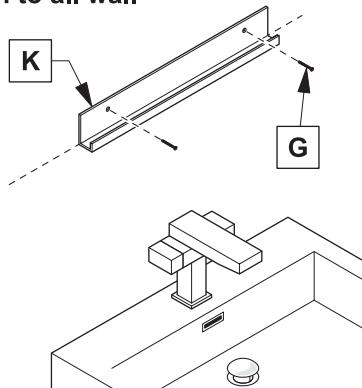
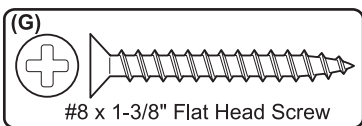


4 Install cabinet (A) and top bracket (L)



3 Install bottom bracket (K)

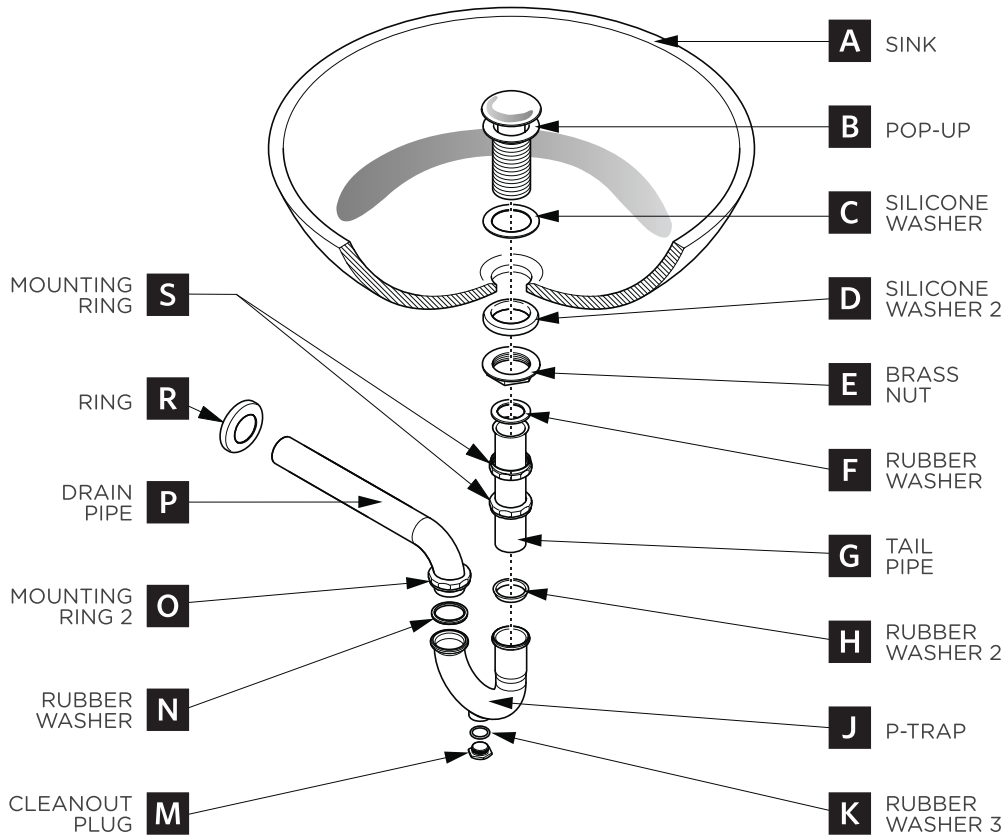
IMPORTANT: Consult an expert for the proper screws/bolts to use when attaching to various wall constructions. Screws provided do not attach to all wall construction types.



P-TRAP & POP-UP

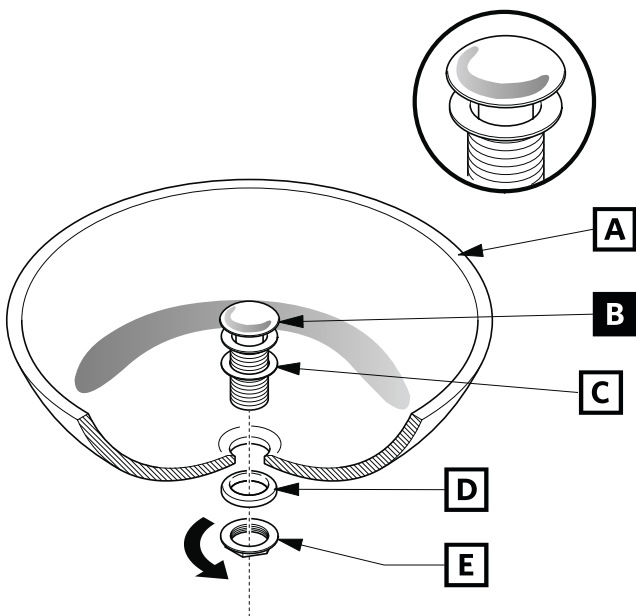
INSTALLATION INSTRUCTIONS

Your item may appear slightly different from the illustration.



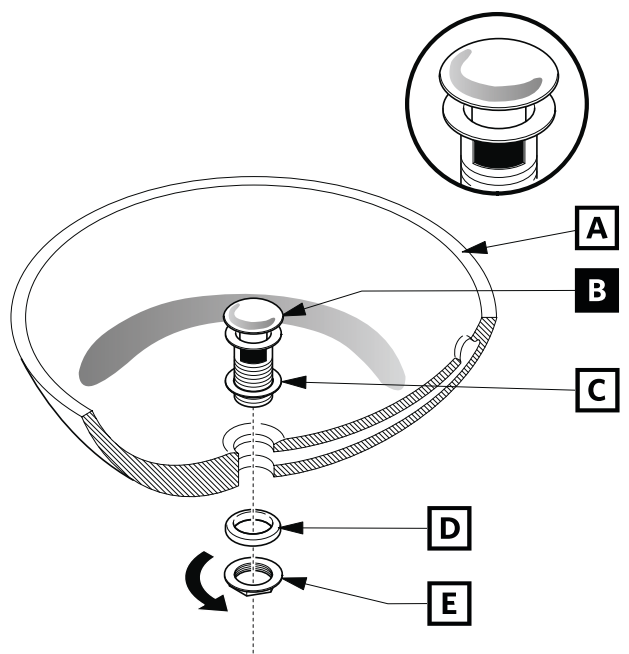
POP-UP INSTALLATION

FOR SINKS WITHOUT OVERFLOW



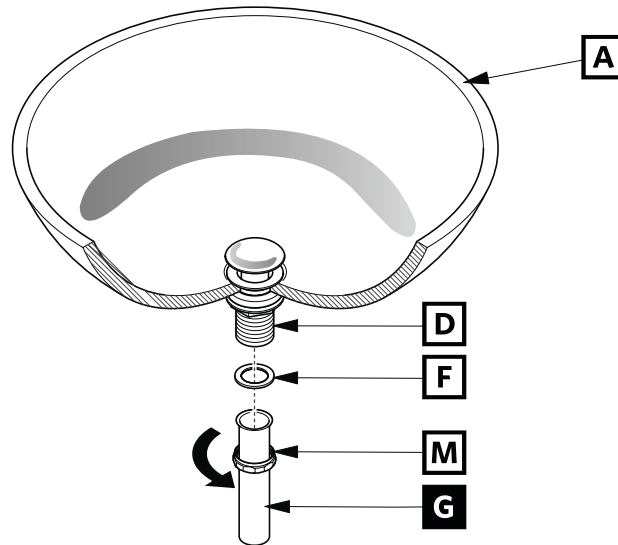
OR

FOR SINKS WITH OVERFLOW



P-TRAP INSTALLATION

1. Install tail pipe (G)



2. Install P-trap (J)

