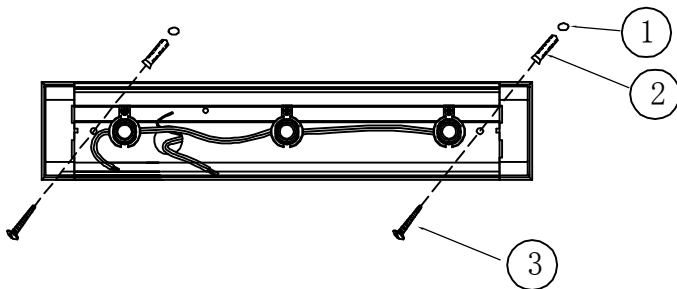
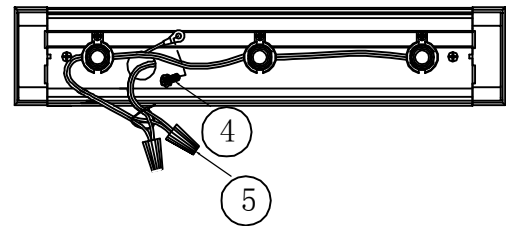


# Assembly Steps for Mounting Light Bar to a Recessed Cabinet

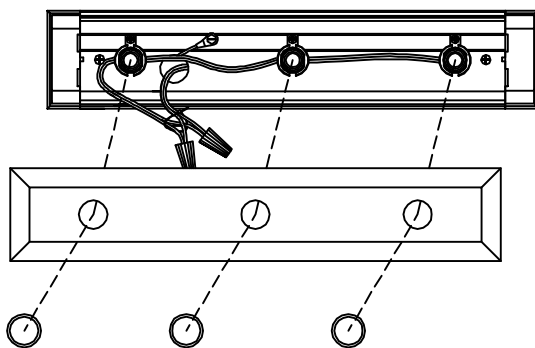
STEP 1



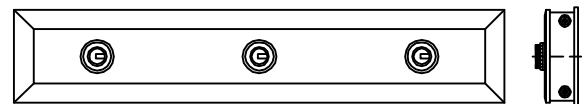
STEP 2



STEP 3



STEP 4



1) Align light Bar over installed Recessed Cabinet with the front mirror off. Make a pencil mark onto the wall through the small holes in the back of the Light Bar where you want to mount your light. Using those marks secure the Light Bar onto the wall using the screws and wall anchors. Make sure you pull your electrical source wires from the wall through the Large hole in the back of the Light Bar, before you fully secure.

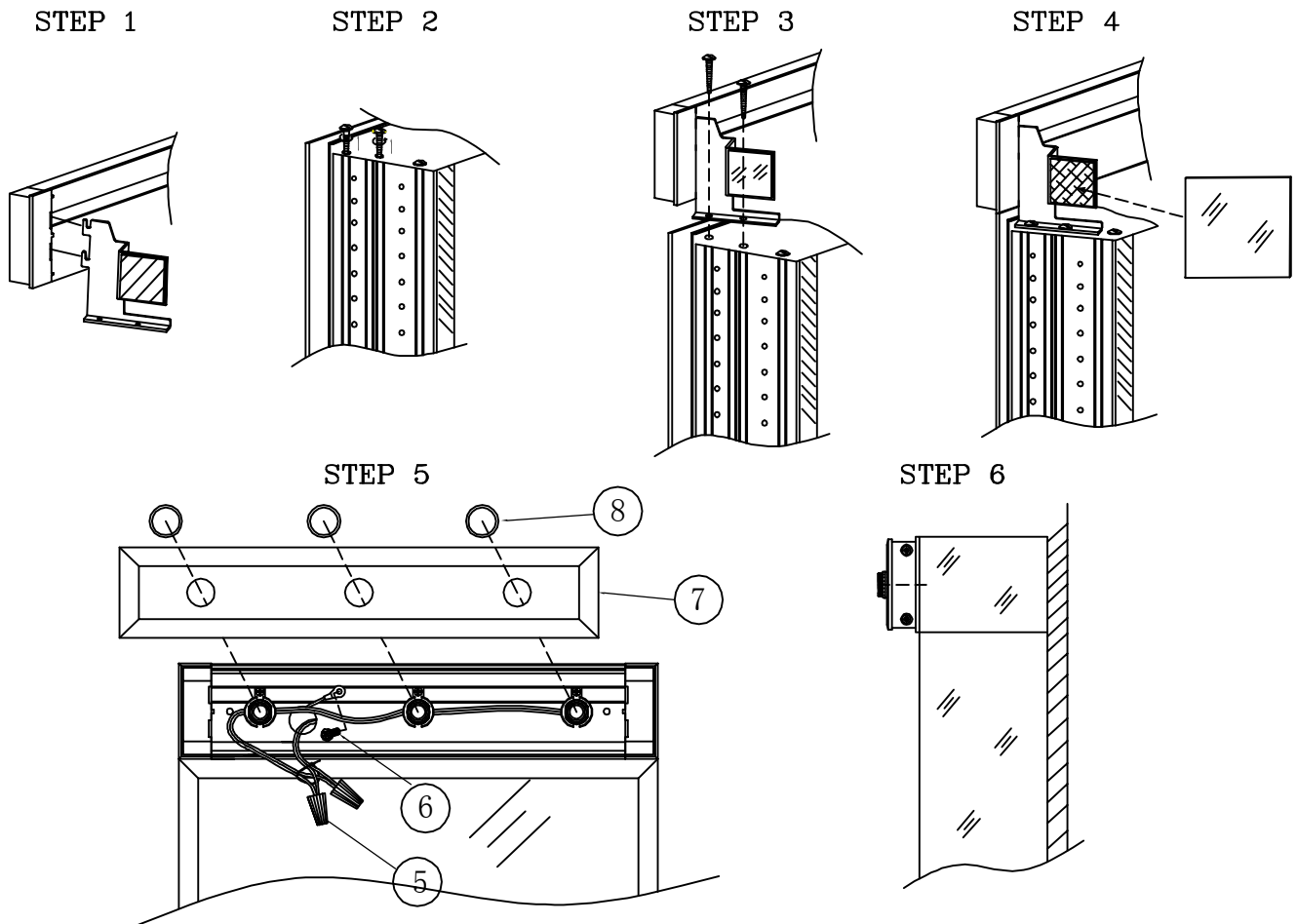
2) Connect the two (2) brown wires to your electrical source wires using the two (2) wire connectors. Also connect the Yellow Ground wire to a proper ground.

NOTE: we strongly recommend a licensed Electrician do your electrical installation.

3) Once the light bar is wired and secure to the wall, place the mirror light strip over the sockets and secure by screwing the Black Lamp Holders onto all the sockets.

We do NOT supply Light Bulbs. We suggest using #G-16 Candelabra base light bulbs. Maximum, 60 Watts per socket.

# Assembly Steps for Mounting Light Bar to a Surface Mount Cabinet



- 1) Hook the two (2) Surface Mount Brackets into the back of the Light Bar on the right and left sides, with the double face tape facing outward.
- 2) On the top of the Medicine cabinet, unscrew the front two (2) screws on the top right side.
- 3) Line up the Bracket (with Light Bar already attached) with the holes on the top of the cabinet where you removed the two (2) screws. Put the screws back in through the bracket holes. Then secure until tight.

REPEAT Step #2 and Step #3 for the Left side

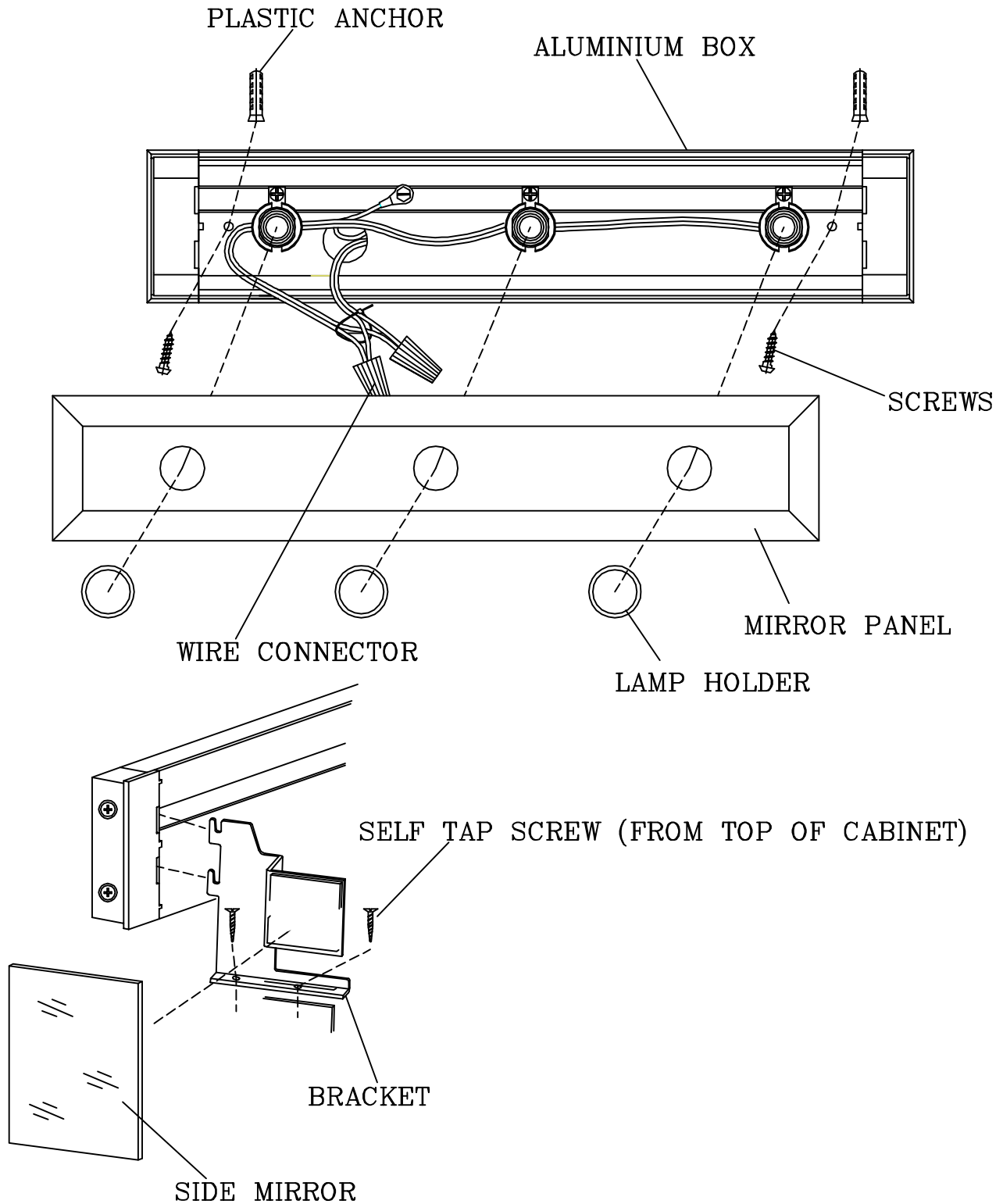
- 4) Peel off the Double Face Tape on the bracket, Line up the Small Mirror above the cabinet mirror side, and press firmly. Repeat on opposite side. Make sure you have properly lined the mirror up with the mirror sides on the cabinet body,
- 5) Pull the two (2) Brown wires through the hole on the back of the Light Bar, as well as the Yellow ground wire. Connect wires to electrical source.

NOTE: we strongly recommend a licensed Electrician for your electrical installation.

- 6) After Cabinet/ Light Bar are completely installed, put the Mirror Light Panel over the sockets, and secure by screwing the Black Lamp holders onto all the sockets

We do NOT supply Light Bulbs. We suggest using #G-16 Candelabra base light bulbs, Maximum 60 Watts per socket.

# LIGHT BAR PART LIST



PARTS	3-LITE	4-LITE	5-LITE	5-LITE	5-LITE	6-LITE	6-LITE	7-LITE	9-LITE
MIRROR PANEL	1	1	1	1	1	1	1	1	1
ALUMINIUM BOX	1	1	1	1	1	1	1	1	1
LAMP HOLDER	3	4	5	5	5	6	6	7	9
BRACKET	2	2	2	2	2	2	2	2	2
SIDE MIRROR	2	2	2	2	2	2	2	2	2
WIRE CONNECTOR	2	2	2	2	2	2	2	2	2
PLASTIC ANCHOR	2	2	3	3	3	3	3	4	4
SCREWS	2	2	3	3	3	3	3	4	4