

Model No :: **20673LEDD-CH/OPL**
 Name :: Aero



Project Name :: _____
 Location :: _____
 Type :: _____
 Quantity :: _____
 Notes :: _____

Product Information

Product ID :: 20673
 UPC Code :: 641594185126
 Mounting Type :: Ceiling
 Finish :: Chrome (CH)
 Diffuser :: Opal (OPL)

See Page 2 for Custom Product Options

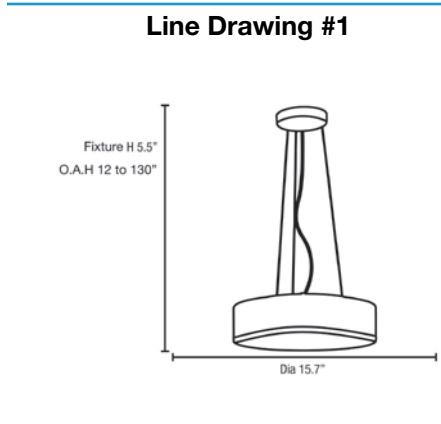
Product Dimensions

Fixture	Canopy
Length :: N/A	Length :: N/A
Width :: N/A	Width :: N/A
Diameter :: 15.7"	Diameter :: 5.95"
Extension :: N/A	Height :: 1"
Height :: 5.5"	
Overall Height :: 130" Max.	



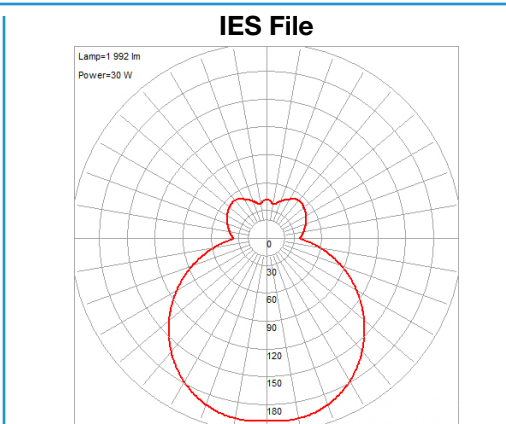
Technical Specifications

Qualifications	Specifications	Voltage	Recommended Dimmers
Location Rating :: Ceiling	Frame Material :: Steel	Voltage :: 120v	(ELV) LEGRAND Paddle ADPD453LM2; (ELV) LUTRON Diva DVELV-300P; (ELV) LUTRON Diva DVELV-303P; (ELV) LUTRON Skylark SELV-300P; (TRIAC) LUTRON Diva DV-600P
Certification :: cETLus	Diffuser Material:: Glass	Photometrics	
IES File :: Yes	Lamping Type :: N/A	CCT :: 3000K	
Title 24 :: No	Lamping Base :: SSL	CRI :: 90	
Energy Star :: Yes	Lamp Quantity :: 1	Wattage :: 30	
ADA Compliant :: No	Lamp Wattage :: 30 W	Nominal Lumens :: 3057	
Marine Grade :: No	Total Wattage :: 30 W	Delivered Lumens :: N/A	
Emergency Lighting :: No	Lamps Included :: Yes		
Warranty :: 5 Year Manufacture	J-Box Type :: Standard 4		



Line Drawing #2

Image Not Available



Toll Free 800-828-5483 or www.AccessLighting.com

14410 Myford Road, Irvine, CA 92606
 The information provided is subject to change without notice. ©2018 Access Lighting Corporation. All Rights Reserved
 Rev. 4/6/2018 Filename: 20673LEDD-CH_OPL.pdf

