

Model No :: **20467GU-BS/ACR**
 Name :: Solero



Project Name :: _____
 Location :: _____
 Type :: _____
 Quantity :: _____
 Notes :: _____

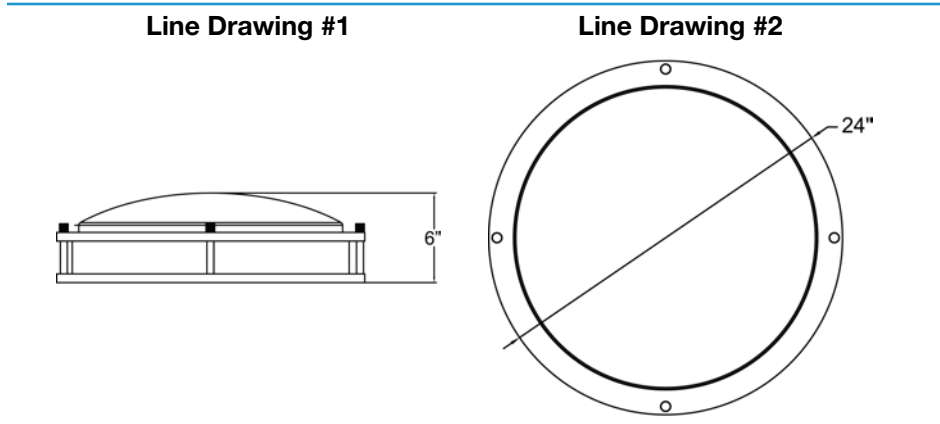
Product Information	
Product ID ::	20467
UPC Code ::	641594204377
Mounting Type ::	Ceiling
Finish ::	Brushed Steel (BS)
Diffuser ::	Acrylic Lens (ACR)

See Page 2 for Custom Product Options

Product Dimensions			
Fixture		Canopy	
Length ::	N/A	Length ::	N/A
Width ::	N/A	Width ::	N/A
Diameter ::	24"	Diameter ::	N/A
Extension ::	N/A	Height ::	N/A
Height ::	6"		
Overall Height ::	N/A		

Technical Specifications

Qualifications	Specifications	Voltage	Recommended Dimmers
Location Rating :: Ceiling	Frame Material :: Aluminum	Voltage :: 120v	N/A
Certification :: cULus	Diffuser Material:: N/A		
IES File :: No	Lamping Type :: N/A	Photometrics	
Title 24 :: No	Lamping Base :: GU-24	CCT :: 2700K	
Energy Star :: No	Lamp Quantity :: 6	CRI :: N/A	
ADA Compliant :: No	Lamp Wattage :: 13 W	Wattage :: 13	
Marine Grade :: No	Total Wattage :: 78 W	Nominal Lumens :: 5440	
Emergency Lighting :: No	Lamps Included :: No	Delivered Lumens :: N/A	
Warranty :: 1 Year Manufacture	J-Box Type :: Standard 4		



IES File

Image
Not Available

Toll Free 800-828-5483 or www.AccessLighting.com

14410 Myford Road, Irvine, CA 92606
 The information provided is subject to change without notice. ©2018 Access Lighting Corporation. All Rights Reserved
 Rev. 4/6/2018 Filename:: 20467GU-BS_ACR.pdf

