

Model No :: **20466LEDD-BS/ACR**  
 Name :: Solero



Project Name :: \_\_\_\_\_  
 Location :: \_\_\_\_\_  
 Type :: \_\_\_\_\_  
 Quantity :: \_\_\_\_\_  
 Notes :: \_\_\_\_\_

**Product Information**

Product ID :: 20466  
 UPC Code :: 641594214833  
 Mounting Type :: Ceiling  
 Finish :: Brushed Steel (BS)  
 Diffuser :: Acrylic Lens (ACR)

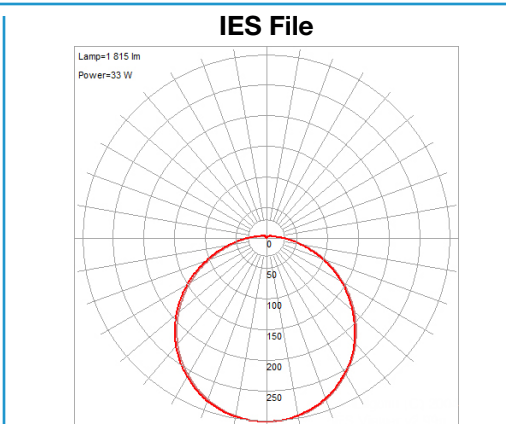
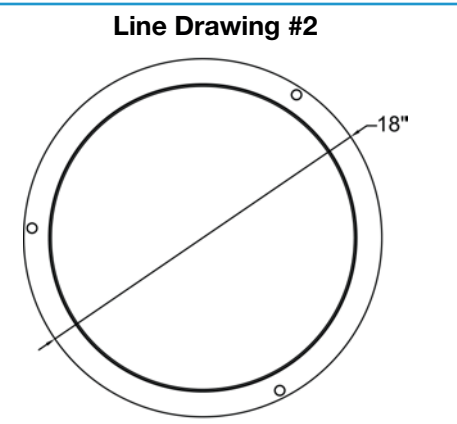
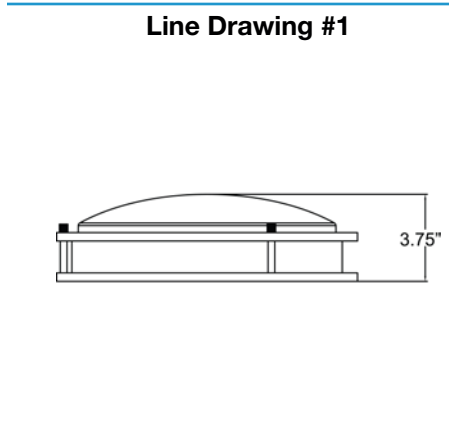
*See Page 2 for Custom Product Options*

**Product Dimensions**

Fixture	Canopy
Length :: N/A	Length :: N/A
Width :: N/A	Width :: N/A
Diameter :: 18"	Diameter :: N/A
Extension :: N/A	Height :: N/A
Height :: 3.75"	
Overall Height :: N/A Max.	

**Technical Specifications**

Qualifications	Specifications	Voltage	Recommended Dimmers
Location Rating :: Ceiling	Frame Material :: Aluminum	Voltage :: 120v	(ELV) LUTRON Caseta PD - 6WCL; (ELV) LUTRON Maestro CL MACL-153M; (ELV) LUTRON Maestro MRF2-6CL; (TRIAC) LUTRON Diva DVCL-153P
Certification :: cETLus	Diffuser Material:: N/A	<b>Photometrics</b>	
IES File :: Yes	Lamping Type :: N/A	CCT :: 3000K	
Title 24 :: No	Lamping Base :: SSL	CRI :: 90	
Energy Star :: No	Lamp Quantity :: 1	Wattage :: 30	
ADA Compliant :: No	Lamp Wattage :: 30 W	Nominal Lumens :: 2600	
Marine Grade :: No	Total Wattage :: 30 W	Delivered Lumens :: 1815	
Emergency Lighting :: No	Lamps Included :: Yes		
Warranty :: 5 Year Manufacture	J-Box Type :: Standard 4		



**Toll Free 800-828-5483 or [www.AccessLighting.com](http://www.AccessLighting.com)**

14410 Myford Road, Irvine, CA 92606  
 The information provided is subject to change without notice. ©2018 Access Lighting Corporation. All Rights Reserved  
 Rev. 4/6/2018 Filename: 20466LEDD-BS\_ACR.pdf

