

Model No :: **20464GU-BS/ACR**
 Name :: Solero



Project Name :: _____
 Location :: _____
 Type :: _____
 Quantity :: _____
 Notes :: _____

Product Information

Product ID :: 20464
 UPC Code :: 641594204346
 Mounting Type :: Ceiling
 Finish :: Brushed Steel (BS)
 Diffuser :: Acrylic Lens (ACR)

See Page 2 for Custom Product Options

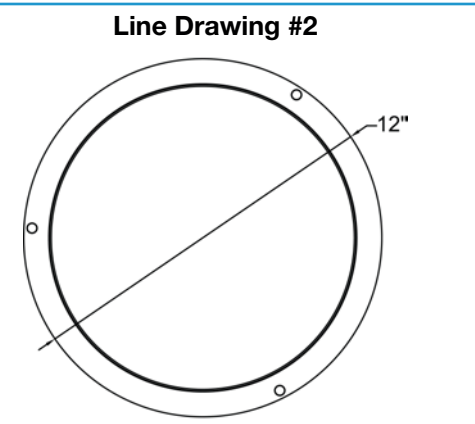
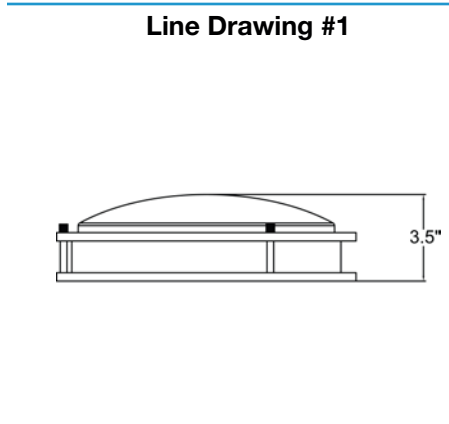
Product Dimensions

Fixture	Canopy
Length :: N/A	Length :: N/A
Width :: N/A	Width :: N/A
Diameter :: 12"	Diameter :: N/A
Extension :: N/A	Height :: N/A
Height :: 3.5"	
Overall Height :: N/A	



Technical Specifications

Qualifications	Specifications	Voltage	Recommended Dimmers
Location Rating :: Ceiling	Frame Material :: Aluminum	Voltage :: 120v	N/A
Certification :: cULus	Diffuser Material :: N/A	Photometrics	
IES File :: No	Lamping Type :: N/A	CCT :: 2700K	
Title 24 :: No	Lamping Base :: GU-24	CRI :: N/A	
Energy Star :: No	Lamp Quantity :: 1	Wattage :: 13	
ADA Compliant :: No	Lamp Wattage :: 13 W	Nominal Lumens :: 900	
Marine Grade :: No	Total Wattage :: 13 W	Delivered Lumens :: N/A	
Emergency Lighting :: No	Lamps Included :: No		
Warranty :: 1 Year Manufacture	J-Box Type :: Standard 4		



IES File

Image Not Available

Toll Free 800-828-5483 or www.AccessLighting.com

14410 Myford Road, Irvine, CA 92606
 The information provided is subject to change without notice. ©2018 Access Lighting Corporation. All Rights Reserved
 Rev. 4/6/2018 Filename:: 20464GU-BS_ACR.pdf

