

Model No :: **20075LEDD-WH/ACR**
 Name :: Ulko Exterior



Project Name :: _____
 Location :: _____
 Type :: _____
 Quantity :: _____
 Notes :: _____

Product Information	
Product ID ::	20075
UPC Code ::	641594224603
Mounting Type ::	Ceiling
Finish ::	White (WH)
Diffuser ::	Acrylic Lens (ACR)

See Page 2 for Custom Product Options

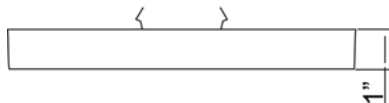
Product Dimensions			
Fixture		Canopy	
Length ::	7"	Length ::	N/A
Width ::	7"	Width ::	N/A
Diameter ::	N/A	Diameter ::	N/A
Extension ::	N/A	Height ::	N/A
Height ::	1"		
Overall Height ::	N/A		



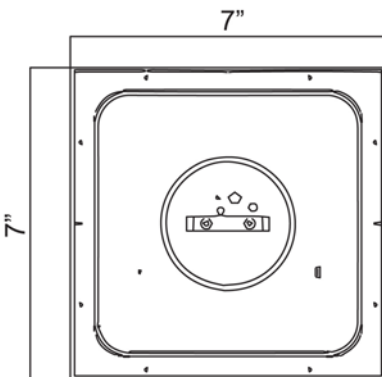
Technical Specifications

Qualifications	Specifications	Voltage	Recommended Dimmers
Location Rating :: Ceiling	Frame Material :: Aluminum	Voltage :: 120v	(ELV) LUTRON Skylark SELV-300P; (MLV) LUTRON Diva DVLV-600P; (TRIAC) LEVITON Decora Sureslide 6674; (TRIAC) LEVITON Surslide 6631; (TRIAC) LEVITON Trimatron 6684; (TRIAC) LUTRON Diva DV-600P; (TRIAC) LUTRON Diva DVCL-153P
Certification :: cETLus	Diffuser Material:: N/A	Photometrics	
IES File :: No	Lamping Type :: N/A	CCT :: 3000K	
Title 24 :: Yes	Lamping Base :: SSL	CRI :: N/A	
Energy Star :: Yes	Lamp Quantity :: 1	Wattage :: 15	
ADA Compliant :: No	Lamp Wattage :: 15 W	Nominal Lumens :: 900	
Marine Grade :: No	Total Wattage :: 15 W	Delivered Lumens :: N/A	
Emergency Lighting :: No	Lamps Included :: Yes		
Warranty :: 5 Year Manufacture	J-Box Type :: Standard 4		

Line Drawing #1



Line Drawing #2



IES File

Image
Not Available

Toll Free 800-828-5483 or www.AccessLighting.com

14410 Myford Road, Irvine, CA 92606

The information provided is subject to change without notice. ©2018 Access Lighting Corporation. All Rights Reserved
 Rev. 4/6/2018 Filename:: 20075LEDD-WH_ACR.pdf

