

# access

L I G H T I N G

## INSTALLATION INSTRUCTIONS

### IMPORTANT

Before assembling your ACCESS LIGHTING fixture, please make sure that you carefully read through these instruction sheets. Consider having your fixture installed by a qualified licensed electrician.

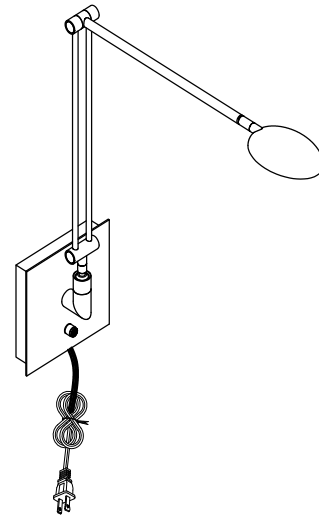
**NOTE:** The important safeguards and instructions that appear in this manual are not meant to cover all possible conditions and situations that may occur. It must be understood that common sense, caution and care, are factors that can't be built into any product. These factors must be supplied by the person(s) caring for and operating the fixture.

### GENERAL INFORMATION

All electrical connections must be in accordance with all ordinances, Local and National Electrical Codes. These fixtures are intended for mounting to a standard 4" x 2 1/2" metal octagon outlet box. The box must be directly supported by the building structure and U.L. Recognized.

### STEP BY STEP INSTRUCTIONS

Before starting your installation disconnect the Power by turning off the Circuit Breaker or by removing the fuse at the fuse box. Just turning the light off at the light switch is not sufficient to prevent electrical shock.



### COLLECTION

TaskWorks Reach

### APPLICATION

Wall Fixture/Portable

### MODEL NO.

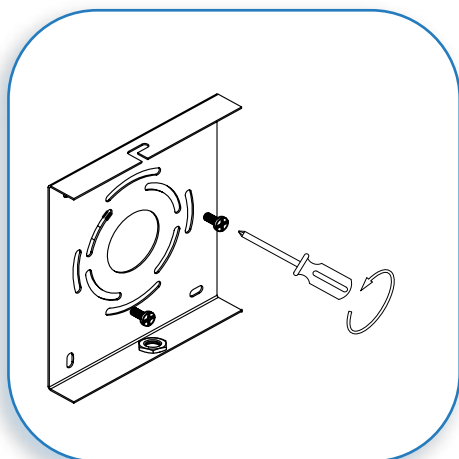
72004LEDD

### WHAT WE PROVIDE

- Mounting plate
- Mounting Hardware
- LED

### WHAT YOU NEED

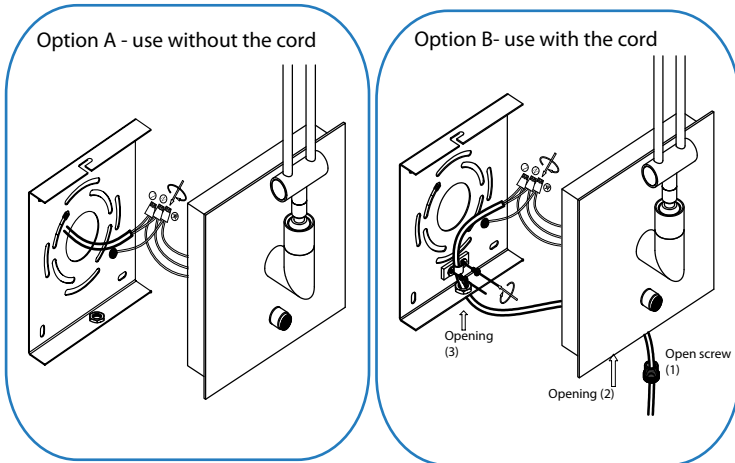
- Screwdriver
- Wire Cutters
- Wiring Supplies as Specified by Electrical Code



# 1

### PREPARE FIXTURE

If there is an existing fixture remove it.  
Expose the supply wires from the junction box.  
Mount the crossbar to the J-box with the supplied screws.



2

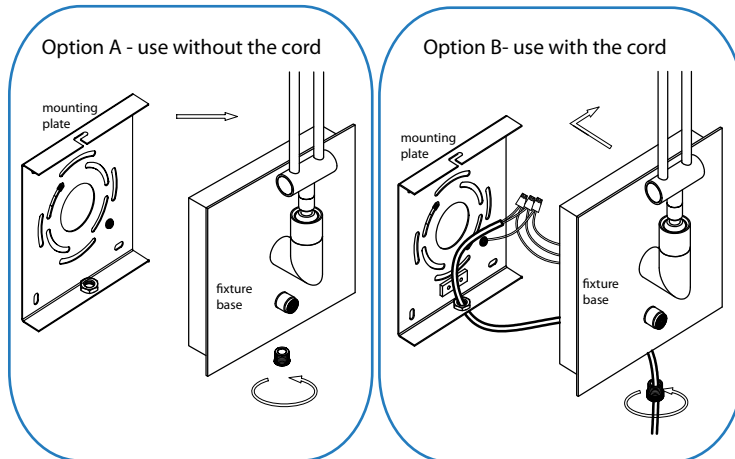
**CONNECT THE WIRES**

Option A - For use without the cord

Connect the black supply wire to the black fixture wire. Secure with the supplied wire nuts. Connect the white supply wires to the white fixture wire. Secure with the supplied wire nuts. Either wrap the green wire around one of the protruding screws or connect it to the supply ground wire. Secure all wires with U.L. Certified electrical tape (not supplied).

Option B - For use with the cord

Thread the open screw (1) onto the supplied cord. Gently feed the cord through the opening in the lower end of the fixture base (2). Continue to pull the cord through opening (3). Follow the same wire connection procedure as with option A.

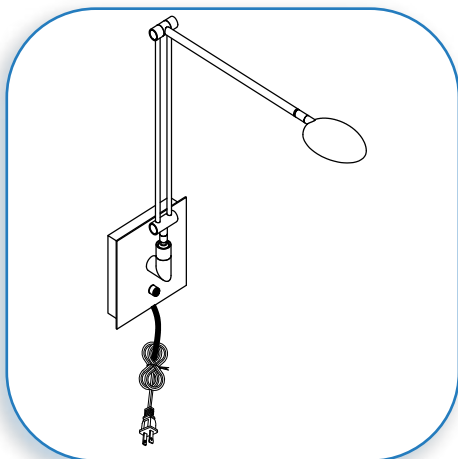


3

**MOUNT THE BACKPLATE**

Fit the fixture base up to the mounting plate. Align the slot at the top of the plate with the pin on the top of the base.

Ensure that the holes at the bottom of the base and plate are aligned. Secure with supplied screw nut at bottom.



4

**PLUG-IN TO THE SOCKET  
RESTORE THE ELECTRICITY AND  
CHECK THE OPERATION OF YOUR  
NEW ACCESS LIGHTING FIXTURE**

**CAUTION** If the fixture is to be removed or replaced, please ensure that the electricity is switched off and that the fitting is cool before touching it.