

SANIBEL

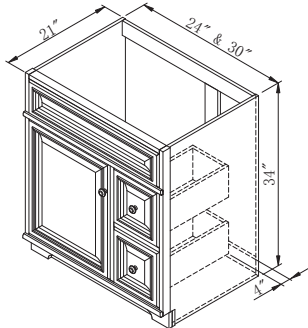


SANIBEL Collection

BUILT-TO-LAST FEATURES:

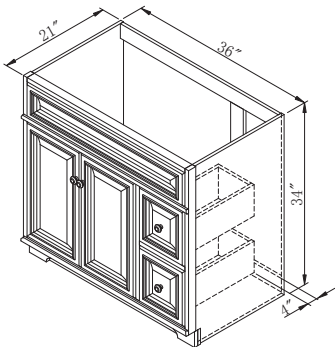
The Sanibel Vanity Collection will confirm your good taste with its thoughtful design features and unique finish treatment. Each piece is crafted in the tradition of fine home furnishings and finished with a multi-step, hand-detailed glazed finish.

VANITY BASES

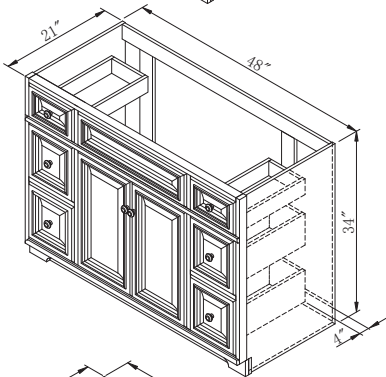


SL2421D
1 Door, 2 Drawers

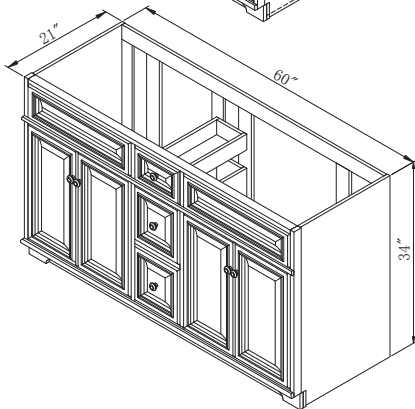
SL3021D
1 Door, 2 Drawers



SL3621D
2 Doors, 2 Drawers

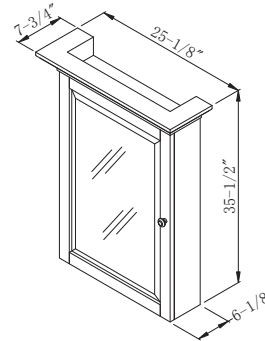


SL4821D
2 Doors, 6 Drawers



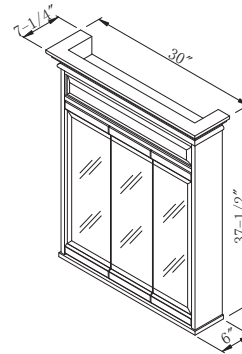
SL6021D
4 Doors, 3 Drawers

MEDICINE CABINET

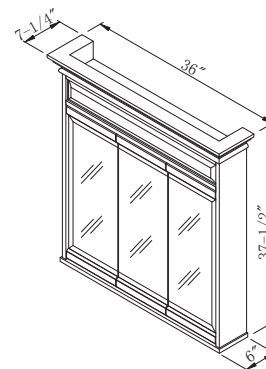


SL2636M
Single Medicine Cabinet

WALL CABINET



SL3038T
Tri-view



SL3638T
Tri-view

SUNNY WOOD PRODUCTS COMPANY, INC.

14108 Artesia Blvd. Cerritos, CA 90703

Order Desk/Customer Service: (800) 888-6533

General Business: (562) 926-6533

FAX: (562) 926-0561

www.sunnywood.biz



As our policy is to continually improve design, we reserve the right to modify details or change specifications without prior notice.
Copyright 2010 Sunny Wood Products Company, Inc.

