



Inset drawers.



Dovetailed drawer construction.



Beveled mirror glass and accessory shelf.



Matching mirrors with slat details.



Matching hardware accents.



Adjustable levelers.



Modular components allow for an endless number of design configurations.

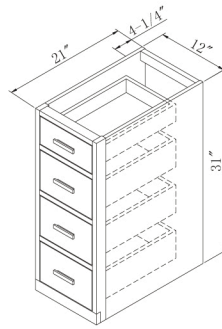
T
O
B
Y



With a focus on the beauty and depth of its textured blond finish, the Toby Collection will add functional beauty to any casually inspired bath interior. Clean lines and subtle features give this collection its charm and beauty. The modular nature of the collection allows it to be used for both wall-to-wall and free-standing configurations. Any number of unique designs can be designed to create the perfect bath retreat.

Features Include:

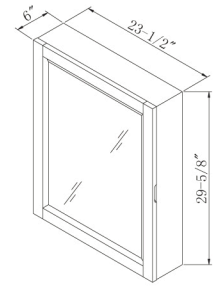
- * Bureau style cabinet designs
- * Modular components for design flexibility
- * Select oak solids and veneers
- * Textured blond finish
- * Clean lines and matching hardware
- * Matching mirrors with beveled glass
- * Slatted display shelf and mirror detail
- * Ample interior storage



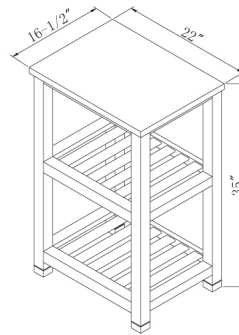
TB1221D Vanity



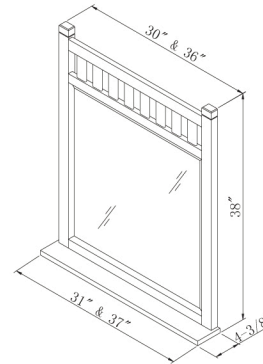
TB34EF
Wall Filler Strip



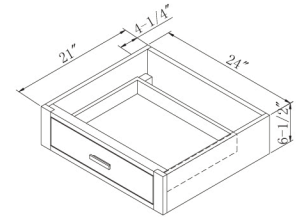
TB2329M
Single Medicine Cabinet



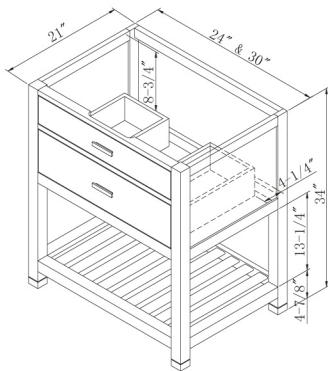
TB2216ET Vanity



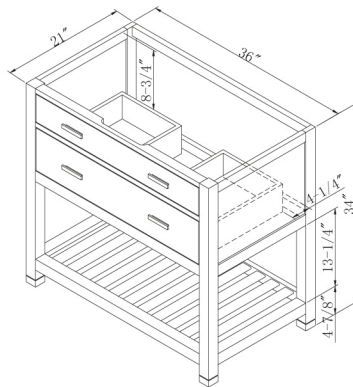
TB3038MR Mirror
TB3638MR Mirror



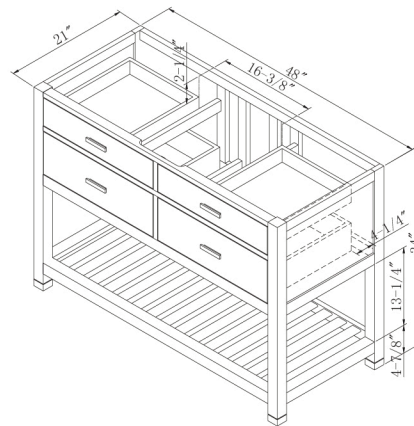
TB2421VKD Vanity



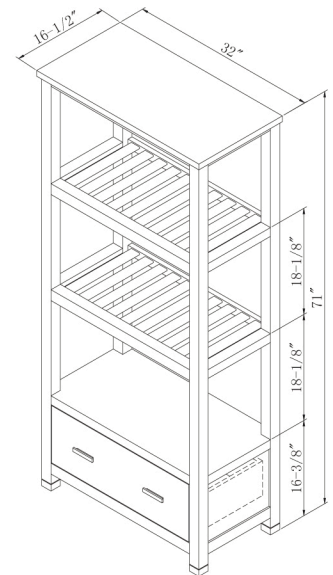
TB2421D Vanity
TB3021D Vanity



TB3621D Vanity



TB4821D Vanity



TB3216ET Vanity

The Toby Collection from Sagehill Designs is a casually inspired collection of fine bath furnishings. The collection features a textured blond finish design that allows the beauty of the select oak solids and veneers to shine through. The bureau style cabinets feature slatted shelves and mirror details, inset drawers and side panels. A unique variety of accent storage and display pieces has also been designed. The cabinets are available in variety of widths, and feature Sagehill Design's fine furniture craftsmanship and finish. Each Toby Collection piece is designed to provide the utmost in style, storage, and durability.

Sagehill Designs

by
Sunny Wood Company



Copyright 2013: Sagehill Designs. All rights reserved.