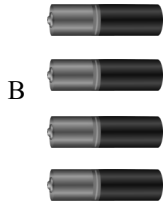
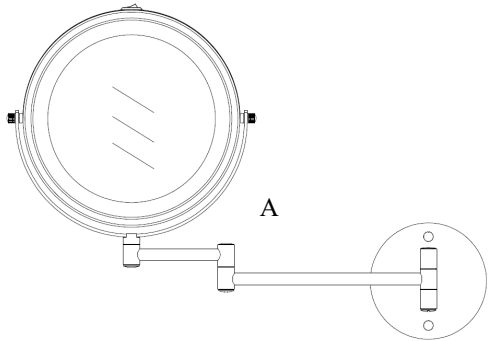




*Exhilarating by Design*

# Volkano Lighted Wall-Mounted Mirror Installation Guide

Code: V9053



Parts Included	QTY
A - Lighted Mirror	1
B - AAA Batteries	4

Model #	Description	Finish	Weight (lb)	Overall Mirror Diameter (Inches)	Metal Type
V9053	8.5" Double Sided Lighted Wall-Mounted Mirror	Chrome	2	8	Iron

**Warranty:** 2 Years

**Care & Maintenance:** A periodic wash using warm water and a soft cloth will retain the high quality finish of your Volkano product for many years to come. ON NO ACCOUNT should any household bleaches, detergents, abrasive polishes, steel wool or other cleaning agents be used on this item.

**Battery Life:** 72 hours per change of batteries.

