

# Delilah 6638CF Formerly Serenity 37

66 x 38 x 29 inches



Note: This model requires a remote blower location. Please refer to the owners manual for detailed installation instructions.

## FEATURES ~

- Deep, ergonomic bathing well
- Freestanding design
- 2-person bathing
- Claw feet
- Slip resistant floor
- Premium cast acrylic surface\*
- Ships in wood crate
- Limited lifetime warranty

## COLOR & TRIM OPTIONS

Stock	Premium
Biscuit White	Black Sterling Silver



\* Interior bathing well and exterior shell can be different colors

## AVAILABLE SYSTEMS

### AIR BATH

- Perimeter air injectors
- Variable speed heated-air blower
- Automated purge and dry system
- Electronic control with wave and pulse features
- Remote blower kit with 25-ft cabling and remote control



Rev. 11.10.17



# Delilah 6638CF Formerly Serenity 37

66 x 38 x 29

BASE MODEL	PKG. WT. LBS.	DRAIN	MODEL #	MSLP
<input type="checkbox"/> Soaker	255	Center Front	W37AIR6638TO	\$5,547
<input type="checkbox"/> Air bath	285	Center Front	W37AIR6638	\$5,968



## SERENITY

### PRODUCT FEATURES

- Two person bath
- Interior bathing well and exterior can be different colors
- Remote blower kit with 25 ft. cabling and remote control (air bath only)
- Wood shipping crate
- Claw feet (Chrome standard)

For series features see section page.

OPTIONS (x = insert desired option code)	ENTER DESIRED OPTION CODE	MSLP
Cast acrylic stock color, interior bathing well (ICOLxx): White (WH)	_____	No charge
Cast acrylic color upgrade, interior bathing well (ICOLxx): Biscuit (BI)	_____	\$35
Cast acrylic premium color upgrade, interior bathing well (ICOLUxx): Black (BK) Sterling Silver (ST)	_____	\$389
Cast acrylic stock color, exterior shell (ECOLxx): White (WH)	_____	No charge
Cast acrylic color upgrade, exterior shell (ECOLxx): Biscuit (BI)	_____	\$35
Cast acrylic premium color upgrade, exterior shell (ECOLUxx): Black (BK) Sterling Silver (ST)	_____	\$389
Freestanding waste & overflow (FDxxxx): Chrome (CHCD)	_____	\$330
Freestanding waste & overflow (FDxxxx): White (WHCD)	_____	\$450
Freestanding waste & overflow (FDxxxx): Oil Rubbed Bronze (OBCD) Polished Brass (BRCD) Brushed Nickel (SNCD)	_____	\$515
Claw feet (FTXX): Oil Rubbed Bronze (OB) Polished Brass (PB) Brushed Nickel (BN) White (WH)	_____	No charge
Rush order program* (DELQK)	_____	\$325
Residential delivery* (DELRD)	_____	\$205
Residential delivery with lift gate* (DELLG)	_____	\$454

\*For program terms and conditions, see page iii.

<b>BASE PRICE</b> (insert MSLP of base model selected in upper table)	+ \$	_____
<b>OPTIONS SUB TOTAL</b>	\$	_____
<b>ORDER TOTAL</b>	= \$	_____

### ORDERING KEY

In the part number, "xx" means an option code must be inserted.

Cast Acrylic stock color (COLxx): ← part number

option code → White (WH)

**Example:** COLxx + WH = COLWH  
Cast Acrylic stock color in White

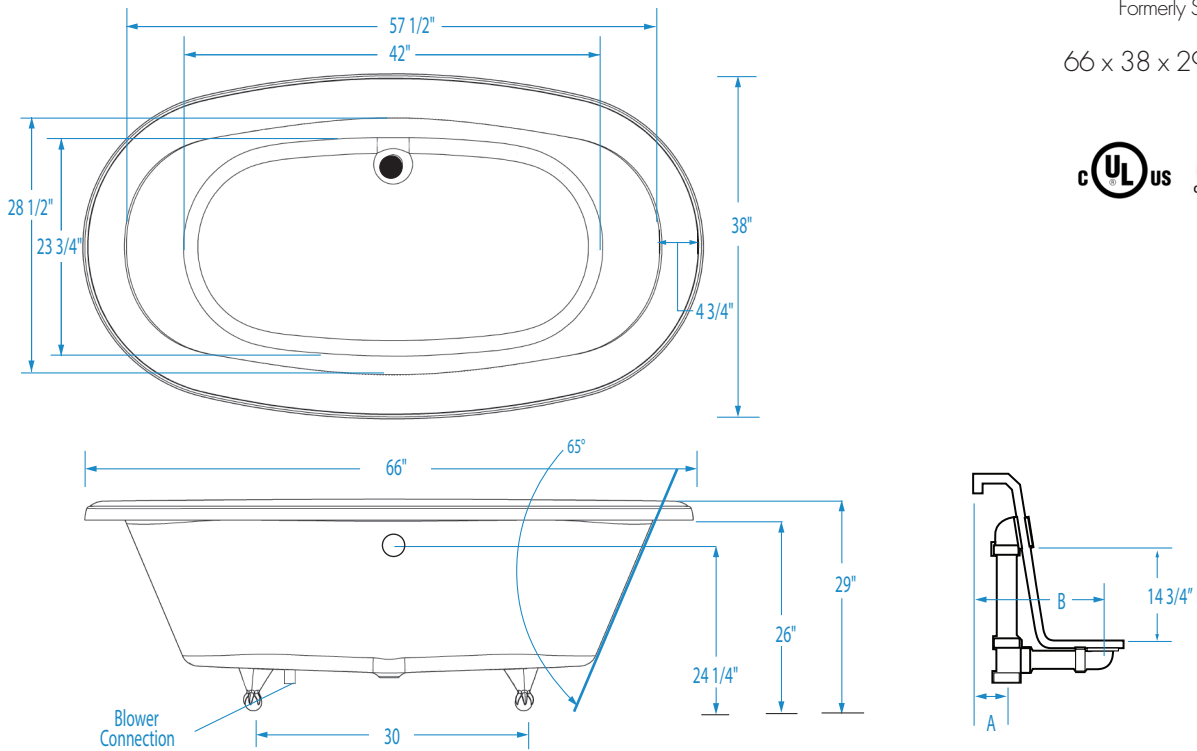
Customer Name: \_\_\_\_\_ Date: \_\_\_\_\_

Additional Information:

# Delilah 6638CF

Formerly Serenity 37

66 x 38 x 29 inches



**FEATURES** Dimensional Tolerance  $\pm 3/8"$ . Dimensions needed for site preparation should be measured from the unit. Manufacturer assumes no responsibility for preparatory work.

Type and Model #	Material	System	Powered By	Heater	Controls	Drain	Pkg. Wt. lbs
Soaker #WV37AIR6638TO	Cast Acrylic	-	-	-	-	Center Front	255
Air Bath #WV37AIR6638	Cast Acrylic	Air injection	Variable speed blower	Integrated	Electronic	Center Front	285

**DIMENSIONS** inches

Width Inches	Depth Inches	Height Inches	Skirt Height
66	38	29	-

**SUMP DATA** inches

Capacity to Overflow gal	Min. Operating Capacity gal	WIDTH @ centerline		DEPTH @ centerline	
		Top	Bottom	Top	Bottom
61	-	57 1/2	42	28 1/2	23 3/4

**PLUMBING DIMENSIONS** inches

A	B	Drain Diameter / Clearance
3 1/2	11	

**ELECTRICAL DATA**

Component	Specification	Requirement
Heated Blower (Air Bath)	10.5 AMP; 120V	15 AMP; 120V, separate circuit; Class A GFCI

**NOTES:**

- 1) Where applicable, utilize cut-out templates packed with unit for deck cutouts.
- 2) 16 x 16 minimum access required at pump/blower location(s).

Each Serenity air bath is equipped with an air heating system to raise the temperature of the air entering the bath. This air temperature will be lower than the bathing temperature of the water, but will help reduce rapid decrease in water temperature. In addition, the air coming from the air jets will feel cool against the skin. This system does not heat the water.