

60 1/2 x 60 1/4 x 23 1/4 inches



### FEATURES ~

- Ergonomic bathing well
- Integral skirt
- Removable access panels (whirlpool / air bath models)
- Sculpted armrests
- Integral clear acrylic grab bar
- Pre-leveled wood base
- Slip resistant floor
- Premium cast acrylic surface
- Limited 10-year warranty

\* Note: Availability of individual models varies by Regional Servicing Plant.  
Please consult your price list and/or A/B model list for availability in your area.

## AVAILABLE SYSTEM

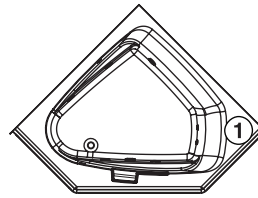
### WHIRLPOOL

- Pneumatic on/off control
- 8 hydrotherapy jets
  - High-flow directional jets
  - Low-profile spinning micro-jets
- .75hp whirlpool pump
- Safety suction system

# MORANDI

60 1/2 x 60 1/4 x 23 1/4 inches

BASE MODEL	PKG. WT. LBS.	JETS	DRAIN	MODEL #	MSLP
<input type="checkbox"/> Soaker	145	0	Left front	W8260620	\$2,261
<input type="checkbox"/> Whirlpool	176	7	Left front	W8260621	\$3,248



OPTIONS (x = insert desired option code)	ENTER DESIRED OPTION CODE	MSLP
Cast acrylic stock color (COLxx): White (WH)	_____	No charge
Cast acrylic color upgrade (COLxx): Biscuit (BI)	_____	\$35
Magnetic pillow (MPxxxxx): White (WHPIL) Black (BKPIL)	_____	\$105
Cable drive waste & overflow: Chrome (CDCHCD)	_____	\$345
Cable drive waste & overflow, color-matched (CDxxxx): Biscuit (BICD) White (WHCD)	_____	\$390
Cable drive waste & overflow (CDxxxx): Oil Rubbed Bronze (OBCD) Polished Brass (BRCD) Brushed Nickel (SNCD)	_____	\$440
Inline heater - 1.5kW, factory installed (whirlpool only) (HTH1)	_____	\$400
Wood shipping crate (PKCR)	_____	\$545
Rush order program* (DELQK)	_____	\$325
Residential delivery* (DELRD)	_____	\$205
Residential delivery with lift gate* (DELLG)	_____	\$454

\*For program terms and conditions, see page iii.

<b>BASE PRICE</b> (insert MSLP of base model selected in upper table)	+ \$ _____
<b>OPTIONS SUB TOTAL</b>	\$ _____
<b>ORDER TOTAL</b>	= \$ _____

Customer Name: \_\_\_\_\_ Date: \_\_\_\_\_

Additional Information:



## BUILDERS' CHOICE

### PRODUCT FEATURES

- Two person bath
- Integral skirt
- Acrylic grab bar
- Integral tiling flange (2T)
- Removable access panels (whirlpool only)

For series features see section page.

### ILLUSTRATION KEY

○ = Blower or Pump Location

### ORDERING KEY

In the part number, "xx" means an option code must be inserted.

Cast Acrylic stock color (COLxx): ← part number

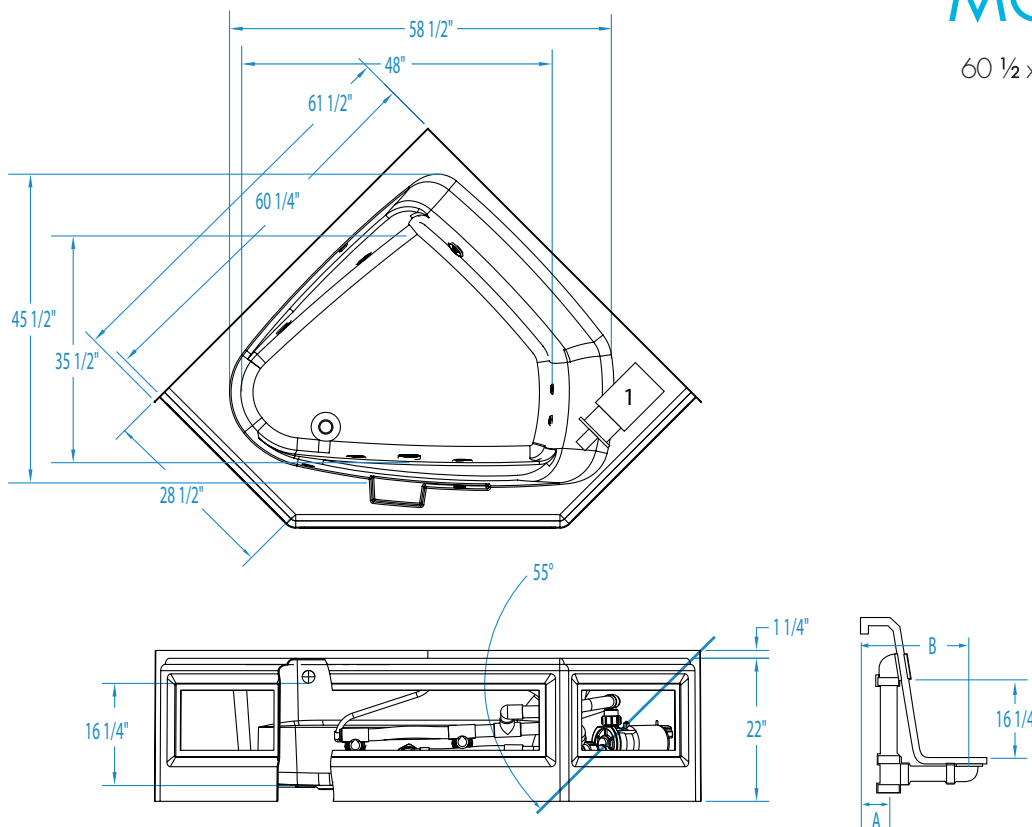
option code → White (WH)

**Example:** COLxx + WH = COLWH  
Cast Acrylic stock color in White

Manufacturer reserves the right to discontinue models, colors, options and trim finishes without notice.

# MORANDI

60 1/2 x 60 1/4 x 23 1/4 inches



## FEATURES

Dimensional Tolerance  $\pm 3/8"$ . Dimensions needed for site preparation should be measured from the unit. Aquatic assumes no responsibility for preparatory work.

Type and Model #W	Material	Jets	Pump	Heater	Controls	Drain	Pkg. Wt. lbs
Soaker #W8260620	Cast Acrylic	0	-	-	-	Left Front	145
Whirlpool #W8260621	Cast Acrylic	7	63 GPM	1.5kW inline (optional)	Pneumatic	Left Front	195

## DIMENSIONS inches

Width Overall / Net	Depth Overall / Net	Height Overall / Net	Skirt Height
61 1/2 / 60 1/4	60 1/4	23 1/4 / 22	22

## SUMP DATA inches

Capacity to Overflow gal	Min. Operat- ing Capacity gal	WIDTH @ centerline		DEPTH @ centerline	
		Top	Bottom	Top	Bottom
90	55	58 1/2	48	45 1/2	35 1/2

## PLUMBING DIMENSIONS inches

A	B	Drain to Overflow	Drain Diameter / Clearance
7	10	16 1/4	2 / 1

## ELECTRICAL DATA

Component	Specification	Requirement
Pump	5 AMP; 120 V	15 AMP; 120V, separate circuit; Class A GFCI
Optional Heater (whirlpool model)	1.5KW; 12 AMP; 120 V	15 AMP; 120V, separate circuit; Class A GFCI

### NOTES:

1) Where applicable, utilize cut-out templates packed with unit for deck cutouts.

2) 16 x 16 minimum access required at pump/blower location(s).