

60 x 43 1/4 x 20 1/4 inches



FEATURES ~

- Ergonomic bathing well
- Integral skirt
- Removable access panels (whirlpool / air bath models)
- Sculpted armrests
- Pre-leveled wood base
- Slip resistant floor
- Premium cast acrylic surface
- Limited 10-year warranty

* Note: Availability of individual models varies by Regional Servicing Plant. Please consult your price list and/or A/B model list for availability in your area.

AVAILABLE SYSTEMS

WHIRLPOOL

- Pneumatic on/off control
- 8 hydrotherapy jets
 - High-flow directional jets
 - Low-profile spinning micro-jets
- .75hp whirlpool pump
- Safety suction system

AIR BATH

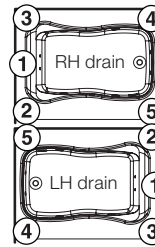
- Pneumatic on/off control
- Perimeter air system
- Single speed heated-air blower with purge and dry cycle



MARRATTA

60 x 43 1/4 x 20 1/4 inches

BASE MODEL	PKG. WT. LBS.	JETS	DRAIN	MODEL #	MSLP
<input type="checkbox"/> Soaker	127	0	LH or RH	W7260420	\$1,646
<input type="checkbox"/> Whirlpool	162	8	LH or RH	W7260421	\$2,716
<input type="checkbox"/> Air bath	172	0	LH or RH	W7260420A	\$2,885



OPTIONS (x = insert desired option code)	ENTER DESIRED OPTION CODE	MSLP
Cast acrylic stock color (COLxx): White (WH)	_____	No charge
Cast acrylic color upgrade (COLxx): Biscuit (BI)	_____	\$35
Pump / blower location (PLxx): Standard Location (L1) Location 2 (L2) Location 3 (L3) Location 4 (L4) Location (L5)	_____	No charge
Drain location (DLXX): Right Hand (RH) Left Hand (LH)	_____	No charge
Magnetic pillow (MPxxxxx): White (WHPIL) Black (BKPIL)	_____	\$105
Cable drive waste & overflow: Chrome (CDCHCD)	_____	\$345
Cable drive waste & overflow, color-matched (CDxxxx): Biscuit (BICD) White (WHCD)	_____	\$390
Cable drive waste & overflow (CDxxxx): Oil Rubbed Bronze (OBCD) Polished Brass (BRCD) Brushed Nickel (SNCD)	_____	\$440
Inline heater - 1.5kW, factory installed (whirlpool only) (HTH1)	_____	\$400
Wood shipping crate (PKCR)	_____	\$460
Rush order program* (DELQK)	_____	\$325
Residential delivery* (DELRD)	_____	\$205
Residential delivery with lift gate* (DELLG)	_____	\$454

*For program terms and conditions, see page iii.

BASE PRICE (insert MSLP of base model selected in upper table)	+ \$	_____
OPTIONS SUB TOTAL	\$	_____
ORDER TOTAL	= \$	_____

Customer Name: _____ Date: _____

Additional Information:



BUILDERS' CHOICE

PRODUCT FEATURES

- Integral skirt
- Integral tiling flange (3T)
- Sculpted armrests
- Removable access panels (whirlpool and airbath only)

For series features see section page.

ILLUSTRATION KEY

○ = Blower or Pump Location

ORDERING KEY

In the part number, "xx" means an option code must be inserted.

Cast Acrylic stock color (COLxx): ← part number

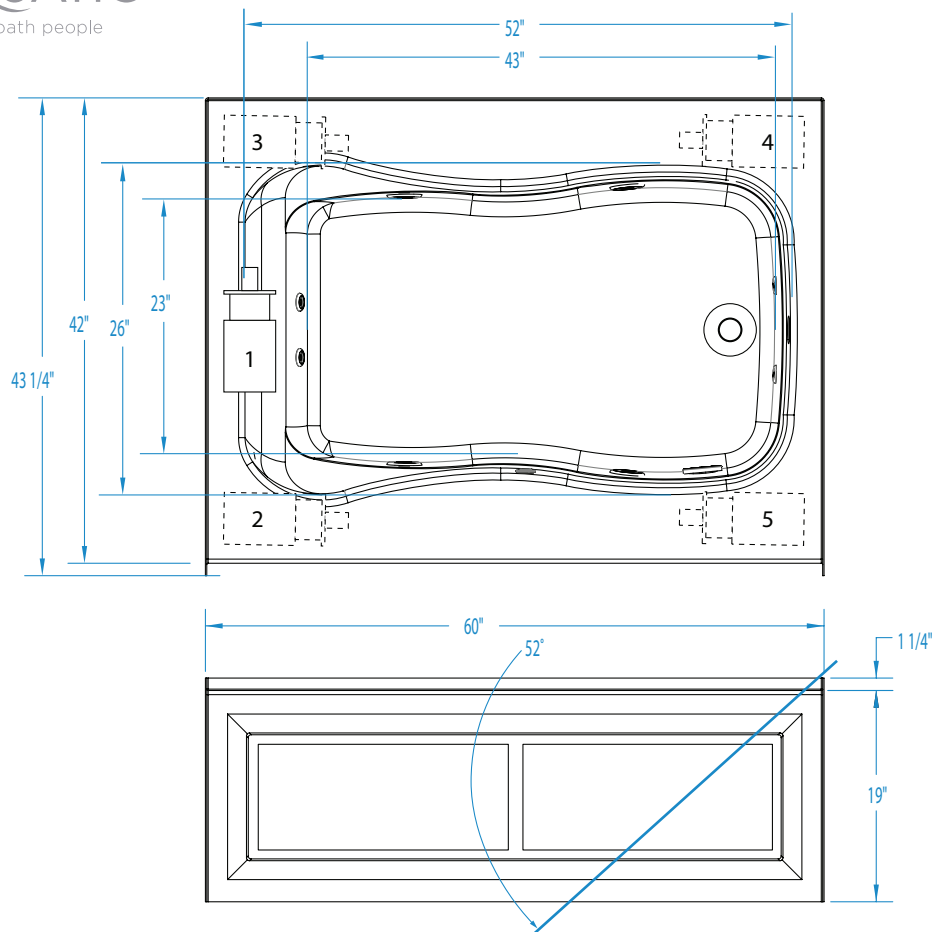
option code → White (WH)

Example: COLxx + WH = COLWH
Cast Acrylic stock color in White

Manufacturer reserves the right to discontinue models, colors, options and trim finishes without notice.

MARRATTA

60 x 43 1/4 x 20 1/4 inches



FEATURES

Dimensional Tolerance ± 3/8". Dimensions needed for site preparation should be measured from the unit. Aquatic assumes no responsibility for preparatory work.

Type and Model #W	Material	Jets	Pump	Heater	Controls	Drain	Pkg. Wt. lbs
Soaker #W7260420	Cast Acrylic	0	-	-	-	LH or RH	127
Whirlpool #W7260421	Cast Acrylic	8	63 GPM	1.5kW inline (optional)	Pneumatic	LH or RH	177
Air Bath #W7260420A	Cast Acrylic	0	-	Inline	Pneumatic	LH or RH	157

DIMENSIONS inches

Width Overall / Net	Depth Overall / Net	Height Overall / Net	Skirt Height
60	43 1/4 / 42	20 1/4 / 19	19

SUMP DATA inches

Capacity to Overflow gal	Min. Operat- ing Capacity gal	WIDTH @ centerline		DEPTH @ centerline	
		Top	Bottom	Top	Bottom
72	52	52	43	26	23

PLUMBING DIMENSIONS inches

A	B	Drain to Overflow	Drain Diameter / Clearance
2	9 3/8	13 5/8	2 / 1 3/8

NOTES:

1) Where applicable, utilize cut-out templates packed with unit for deck cutouts.

2) 16 x 16 minimum access required at pump/blower location(s).

ELECTRICAL DATA

Component	Specification	Requirement
Pump	5 AMP; 120 V	15 AMP; 120V, separate circuit; Class A GFCI
Optional Heater (whirlpool model)	1.5KW; 12 AMP; 120 V	15 AMP; 120V, separate circuit; Class A GFCI
Heated Blower	5 AMP; 120 V	15 AMP; 120V, separate circuit; Class A GFCI

Each air bath is equipped with an air heating system to raise the temperature of the air entering the bath. This air temperature will be lower than the bathing temperature of the water, but will help reduce rapid decrease in water temperature. In addition, the air coming from the air jets will feel cool against the skin. This system does not heat the water.