

# BELMONT II

BUILDERS' CHOICE



71 x 41 1/4 x 23 7/8 inches



## FEATURES ~

- Ergonomic bathing well
- Sculpted armrests
- Pre-leveled wood base
- Slip resistant floor
- Premium cast acrylic surface
- Limited 10-year warranty

\* Note: Availability of individual models varies by Regional Servicing Plant.  
Please consult your price list and/or A/B model list for availability in your area.

## AVAILABLE SYSTEMS

### WHIRLPOOL

- Pneumatic on/off control
- 8 hydrotherapy jets
  - High-flow directional jets
  - Low-profile spinning micro-jets
- .75hp whirlpool pump
- Safety suction system

### AIR BATH

- Pneumatic on/off control
- Perimeter air system
- Single speed heated-air blower with purge and dry cycle



# BELMONT II

71 x 41 1/4 x 23 7/8 inches

BASE MODEL	PKG. WT. LBS.	JETS	DRAIN	MODEL #	MSLP
<input type="checkbox"/> Soaker	119	0	Universal	W4072620	\$1,539
<input type="checkbox"/> Whirlpool	169	8	Universal	W4072621	\$2,470
<input type="checkbox"/> Air bath	169	0	Universal	W4072620A	\$2,694



OPTIONS (x = insert desired option code)	ENTER DESIRED OPTION CODE	MSLP
Cast acrylic stock color (COLxx): White (WH)	_____	No charge
Cast acrylic color upgrade (COLxx): Biscuit (BI)	_____	\$35
Magnetic pillow (MPxxxxx): White (WHPIL) Black (BKPIL)	_____	\$105
Cable drive waste & overflow: Chrome (CDCHCD)	_____	\$345
Cable drive waste & overflow, color-matched (CDxxxx): Biscuit (BICD) White (WHCD)	_____	\$390
Cable drive waste & overflow (CDxxxx): Oil Rubbed Bronze (OBCD) Polished Brass (BRCD) Brushed Nickel (SNCD)	_____	\$440
Inline heater - 1.5kW, factory installed (whirlpool only) (HTH1)	_____	\$400
Wood shipping crate (PKCR)	_____	\$460
Rush order program* (DELQK)	_____	\$325
Residential delivery* (DELRD)	_____	\$205
Residential delivery with lift gate* (DELLG)	_____	\$454

\*For program terms and conditions, see page iii.

<b>BASE PRICE</b> (insert MSLP of base model selected in upper table)	+ \$ _____
<b>OPTIONS SUB TOTAL</b>	\$ _____
<b>ORDER TOTAL</b>	= \$ _____

Customer Name: \_\_\_\_\_ Date: \_\_\_\_\_

Additional Information:



## BUILDERS' CHOICE

### PRODUCT FEATURES

- Sculpted armrests
- Can be used in undermount application

For series features see section page.

### ILLUSTRATION KEY

○ = Blower or Pump Location

### ORDERING KEY

In the part number, "xx" means an option code must be inserted.

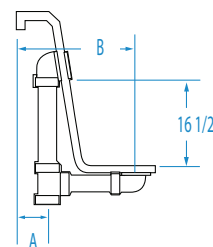
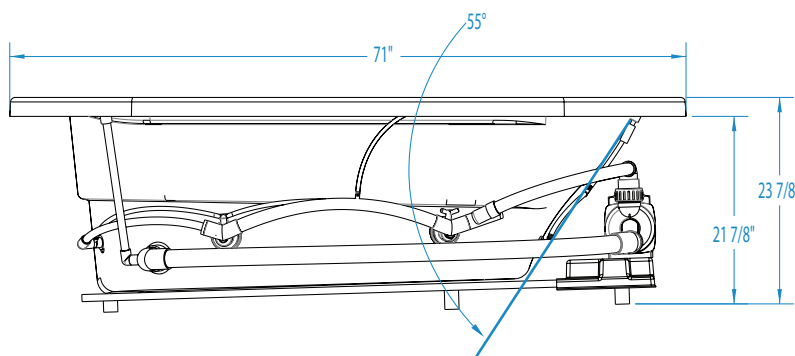
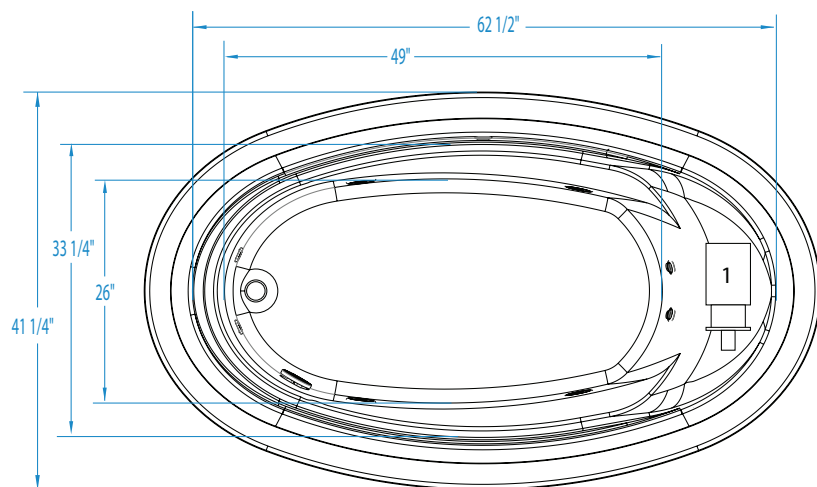
Cast Acrylic stock color (COLxx): ← part number  
 option code → White (WH)

**Example:** COLxx + WH = COLWH  
 Cast Acrylic stock color in White

Manufacturer reserves the right to discontinue models, colors, options and trim finishes without notice.

# BELMONT II

71 x 41 ¼ x 23 7/8 inches



## FEATURES

Dimensional Tolerance  $\pm 3/8"$ . Dimensions needed for site preparation should be measured from the unit. Aquatic assumes no responsibility for preparatory work.

Type and Model #W	Material	Jets	Pump	Heater	Controls	Drain	Pkg. Wt. lbs
Soaker #W4072620	Cast Acrylic	0	-	-	-	Universal	119
Whirlpool #W4072621	Cast Acrylic	8	63 GPM	1.5kW inline (optional)	Pneumatic	Universal	169
Air Bath #W4072620A	Cast Acrylic	0	-	Inline	Pneumatic	Universal	149

## DIMENSIONS inches

Width Overall / Net	Depth Overall / Net	Height Overall / Net	Skirt Height
71	41 ¼	23 7/8	-

## SUMP DATA inches

Capacity to Overflow gal	Min. Operat- ing Capacity gal	WIDTH @ centerline		DEPTH @ centerline	
		Top	Bottom	Top	Bottom
67	50	62 ½	49	33 ¼	26

## PLUMBING DIMENSIONS inches

A	B	Drain to Overflow	Drain Diameter / Clearance
3 ½	10 ¼	16 ½	2 / 1 7/8

## ELECTRICAL DATA

Component	Specification	Requirement
Pump	5 AMP; 120 V	15 AMP; 120V, separate circuit; Class A GFCI
Optional Heater (whirlpool model)	1.5KW; 12 AMP; 120 V	15 AMP; 120V, separate circuit; Class A GFCI
Heated Blower	5 AMP; 120 V	15 AMP; 120V, separate circuit; Class A GFCI

### NOTES:

1) Where applicable, utilize cut-out templates packed with unit for deck cutouts.

2) 16 x 16 minimum access required at pump/blower location(s).

Each air bath is equipped with an air heating system to raise the temperature of the air entering the bath. This air temperature will be lower than the bathing temperature of the water, but will help reduce rapid decrease in water temperature. In addition, the air coming from the air jets will feel cool against the skin. This system does not heat the water.