

# Winnie 5430F

Formerly Serenity 45

54  $\frac{3}{8}$  x 30 x 24  $\frac{1}{2}$  inches



## AQUATIC

The bath people



### FEATURES ~

- Ergonomic bathing well
- Freestanding design
- Claw feet
- Slip resistant floor
- Premium cast acrylic surface  
- White only
- Ships in wood crate
- Limited lifetime warranty



Rev. 11.10.17



# Winnie 5430F Formerly Serenity 45

54 3/8 x 30 x 24 1/2

BASE MODEL	PKG. WT. LBS.	DRAIN	MODEL #	MSLP
<input type="checkbox"/> Soaker	110	End	WY5417TO	\$4,861



## SERENITY

### PRODUCT FEATURES

- Claw feet (Chrome standard)
- Available in White only
- Wood shipping crate

For series features see section page.

OPTIONS (x = insert desired option code)	ENTER DESIRED OPTION CODE	MSLP
Magnetic pillow (MPxxxx): White (WHPI) Black (BKPI)	_____	\$105
Freestanding waste & overflow (FDxxxx): Chrome (CHCD)	_____	\$330
Freestanding waste & overflow (FDxxxx): White (WHCD)	_____	\$450
Freestanding waste & overflow (FDxxxx): Oil Rubbed Bronze (OB) Polished Brass (BRCD) Brushed Nickel (SNCD)	_____	\$515
Claw feet (FTXX): Chrome (CH) Oil Rubbed Bronze (OB) Polished Brass (PB) Brushed Nickel (BN) White (WH)	_____	No charge
Rush order program* (DELQK)	_____	\$325
Residential delivery* (DELRD)	_____	\$205
Residential delivery with lift gate* (DELLG)	_____	\$454

\*For program terms and conditions, see page iii.

<b>BASE PRICE</b> (insert MSLP of base model selected in upper table)	+ \$ _____
<b>OPTIONS SUB TOTAL</b>	\$ _____
<b>ORDER TOTAL</b>	= \$ _____

### ORDERING KEY

In the part number, "xx" means an option code must be inserted.

Cast Acrylic stock color (COLxx): ← part number

option code → White (WH)

**Example:** COLxx + WH = COLWH  
Cast Acrylic stock color in White

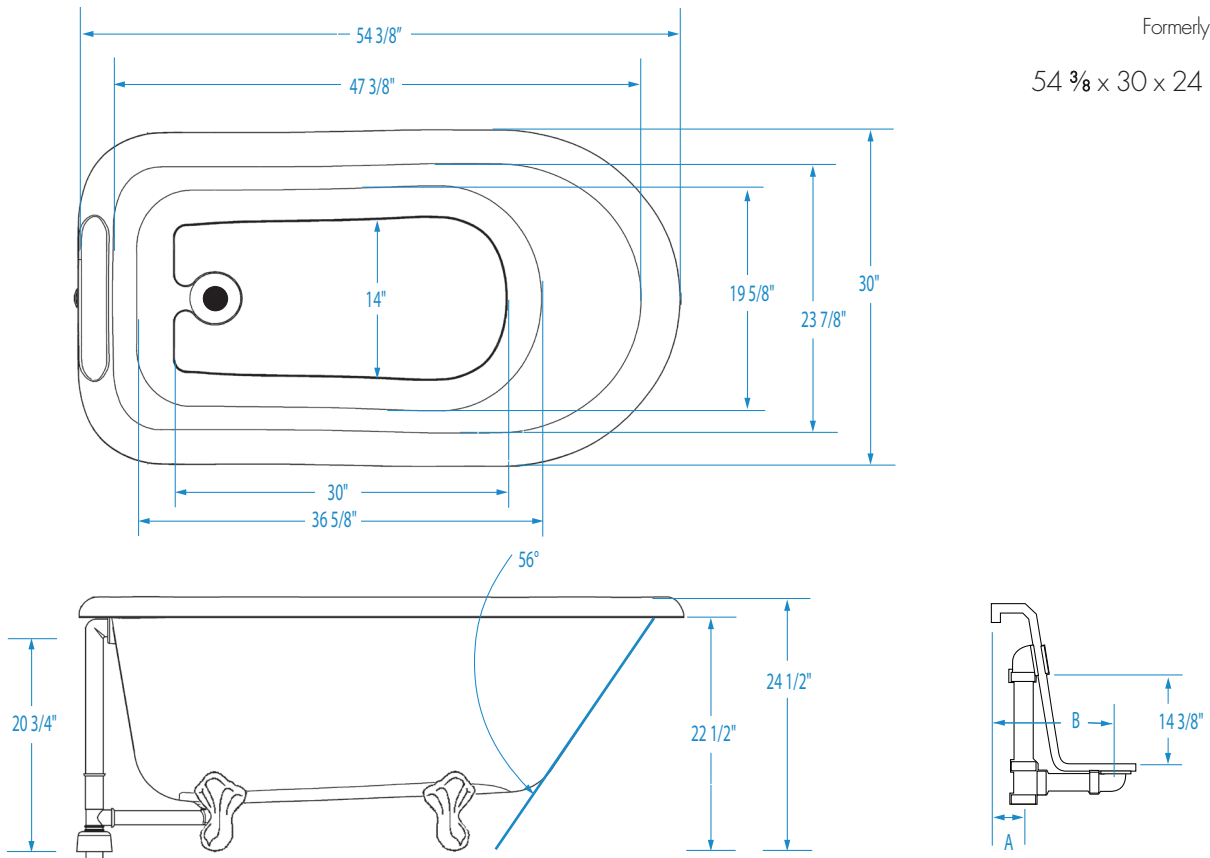
Customer Name: \_\_\_\_\_ Date: \_\_\_\_\_

Additional Information:

# Winnie 5430F

Formerly Serenity 45

54 3/8" x 30" x 24 1/2" inches



**FEATURES** Dimensional Tolerance  $\pm 3/8"$ . Dimensions needed for site preparation should be measured from the unit. Manufacturer assumes no responsibility for preparatory work.

Type and Model #	Material	Drain	Pkg. Wt. lbs
Soaker #WY5417TO	Cast Acrylic	End	110

**DIMENSIONS** inches

Width Inches	Depth Inches	Height Inches	Skirt Height
54 3/8"	30"	24 1/2"	-

**SUMP DATA** inches

Capacity to Overflow gal	Min. Operating Capacity gal	WIDTH @ centerline		DEPTH @ centerline	
		Top	Bottom	Top	Bottom
41	-	47 7/8"	36 3/8"	23 7/8"	19 5/8"

**PLUMBING DIMENSIONS** inches

A	B	Drain Diameter / Clearance
1 7/8"	12 1/4"	

**NOTES:**

- Where applicable, utilize cut-out templates packed with unit for deck cutouts.
- 16 x 16 minimum access required at pump/blower location(s).