

Grace 6634F

Formerly Serenity 44

66 x 33 ½ x 30 ½ inches



AQUATIC

The bath people



FEATURES ~

- Ergonomic bathing well
- Freestanding slipper design
- Claw feet (installed)
- Slip resistant floor
- Premium cast acrylic surface
- White only
- Ships in wood crate
- Limited lifetime warranty



Rev. 11.10.17

Grace 6634F Formerly Serenity 44

66 x 33 1/2 x 30 1/2

BASE MODEL	PKG. WT. LBS.	DRAIN	MODEL #	MSLP
<input type="checkbox"/> Soaker	194	End	WY6617T0	\$5,211



SERENITY

PRODUCT FEATURES

- Claw feet (Chrome standard)
- Available in White only
- Wood shipping crate

For series features see section page.

OPTIONS (x = insert desired option code)	ENTER DESIRED OPTION CODE	MSLP
Freestanding waste & overflow (FDxxxx): Chrome (CHCD)	_____	\$330
Freestanding waste & overflow (FDxxxx): White (WHCD)	_____	\$450
Freestanding waste & overflow (FDxxxx): Oil Rubbed Bronze (OBCD) Polished Brass (BRCD) Brushed Nickel (SNCD)	_____	\$515
Claw feet (FTXX): Chrome (CH) Oil Rubbed Bronze (OB) Polished Brass (PB) Brushed Nickel (BN) White (WH)	_____	No charge
Rush order program* (DELQK)	_____	\$325
Residential delivery* (DELRD)	_____	\$205
Residential delivery with lift gate* (DELLG)	_____	\$454

*For program terms and conditions, see page iii.

BASE PRICE (insert MSLP of base model selected in upper table)	+ \$ _____
OPTIONS SUB TOTAL	\$ _____
ORDER TOTAL	= \$ _____

ORDERING KEY

In the part number, "xx" means an option code must be inserted.

Cast Acrylic stock color (COLxx) ← part number

option code → White (WH)

Example: COLxx + WH = COLWH
Cast Acrylic stock color in White

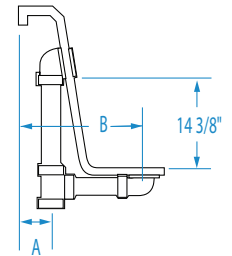
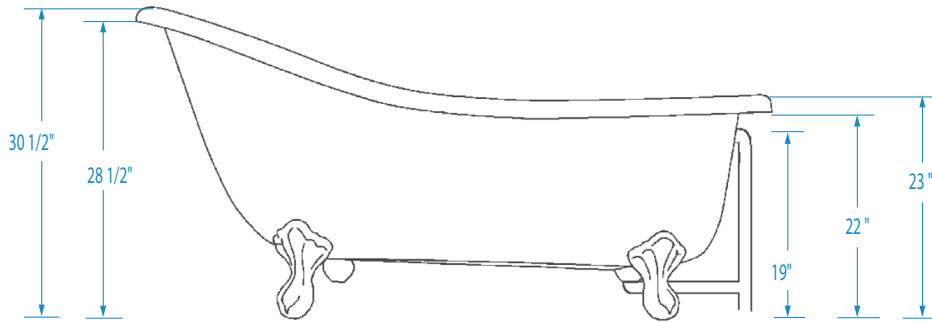
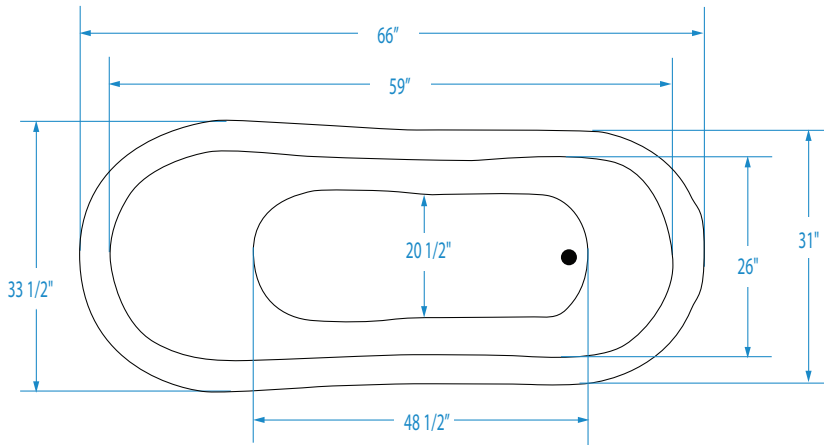
Customer Name: _____ Date: _____

Additional Information:

Grace 6634F

Formerly Serenity 44

66 x 33 1/2 x 30 1/2 inches



FEATURES Dimensional Tolerance ± 3/8". Dimensions needed for site preparation should be measured from the unit. Manufacturer assumes no responsibility for preparatory work.

Type and Model #	Material	Drain	Pkg. Wt. lbs
Soaker #WY6617TO	Cast Acrylic	End	194

DIMENSIONS inches

Width Inches	Depth Inches	Height Inches	Skirt Height
66	33 1/2	30 1/2	-

SUMP DATA inches

Capacity to Overflow gal	Min. Operating Capacity gal	WIDTH @ centerline		DEPTH @ centerline	
		Top	Bottom	Top	Bottom
50	-	59	48 1/2	26	20 1/2

PLUMBING DIMENSIONS inches

A	B	Drain Diameter / Clearance
2 3/4	12	

- NOTES:**
- 1) Where applicable, utilize cut-out templates packed with unit for deck cutouts.
 - 2) 16 x 16 minimum access required at pump/blower location(s).