

Grace 6032F

Formerly Serenity 43

60 x 31 ½ x 30 ¼ inches



AQUATIC

The bath people



FEATURES ~

- Ergonomic bathing well
- Freestanding slipper design
- Claw feet (installed)
- Slip resistant floor
- Premium cast acrylic surface
- White only
- Ships in wood crate
- Limited lifetime warranty



Rev. 11.10.17

Grace 6032F Formerly Serenity 43
60 x 31 1/2 x 30 1/4



BASE MODEL	PKG. WT. LBS.	DRAIN	MODEL #	MSLP
<input type="checkbox"/> Soaker	194	End	WY6017T0	\$5,037


SERENITY

PRODUCT FEATURES

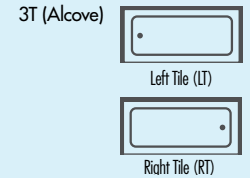
- Claw feet (Chrome standard)
- Available in White only
- Wood shipping crate

For series features see section page.

ILLUSTRATION KEY

 = Blower or Pump Location

TILE FLANGE CONFIGURATIONS



OPTIONS (x = insert desired option code)	ENTER DESIRED OPTION CODE	MSLP
Freestanding waste & overflow (FDxxxx): Chrome (CHCD)	_____	\$330
Freestanding waste & overflow (FDxxxx): White (WHCD)	_____	\$450
Freestanding waste & overflow (FDxxxx): Oil Rubbed Bronze (OB) Polished Brass (BR) Brushed Nickel (SN)	_____	\$515
Claw feet (FTXX): Chrome (CH) Oil Rubbed Bronze (OB) Polished Brass (PB) Brushed Nickel (BN) White (WH)	_____	No charge
Rush order program* (DELQK)	_____	\$325
Residential delivery* (DELRD)	_____	\$205
Residential delivery with lift gate* (DELLG)	_____	\$454

*For program terms and conditions, see page iii.

BASE PRICE (insert MSLP of base model selected in upper table) + \$ _____

OPTIONS SUB TOTAL \$ _____

ORDER TOTAL = \$ _____

Customer Name: _____ Date: _____

Additional Information:

ORDERING KEY

In the part number, "xx" means an option code must be inserted.

Cast Acrylic stock color (COLxx) ← part number
option code → White (WH)

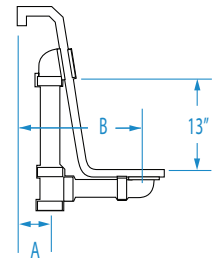
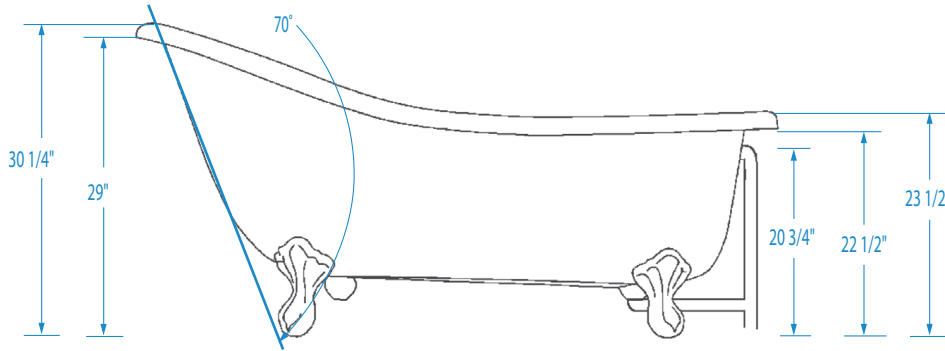
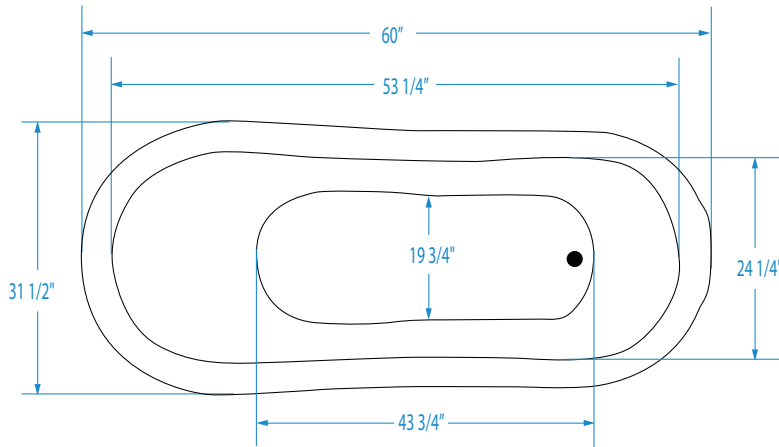
Example: COLxx + WH = COLWH
Cast Acrylic stock color in White

Manufacturer reserves the right to discontinue models, colors, options and trim finishes without notice.

Grace 6032F

Formerly Serenity 43

60 x 31 1/2 x 30 1/4 inches



FEATURES Dimensional Tolerance $\pm 3/8"$. Dimensions needed for site preparation should be measured from the unit. Manufacturer assumes no responsibility for preparatory work.

Type and Model #	Material	Drain	Pkg. Wt. lbs
Soaker #WY6017TO	Cast Acrylic	End	194

DIMENSIONS inches

Width Inches	Depth Inches	Height Inches	Skirt Height
60	31 1/2	30 1/4	-

SUMP DATA inches

Capacity to Overflow gal	Min. Operating Capacity gal	WIDTH @ centerline		DEPTH @ centerline	
		Top	Bottom	Top	Bottom
41	-	53 1/4	43 3/4	24 1/4	19 3/4

PLUMBING DIMENSIONS inches

A	B	Drain Diameter / Clearance
2 1/4	11	2 / 4 7/8

NOTES:

- Where applicable, utilize cut-out templates packed with unit for deck cutouts.
- 16 x 16 minimum access required at pump/blower location(s).