

# UNIVERSAL OVAL

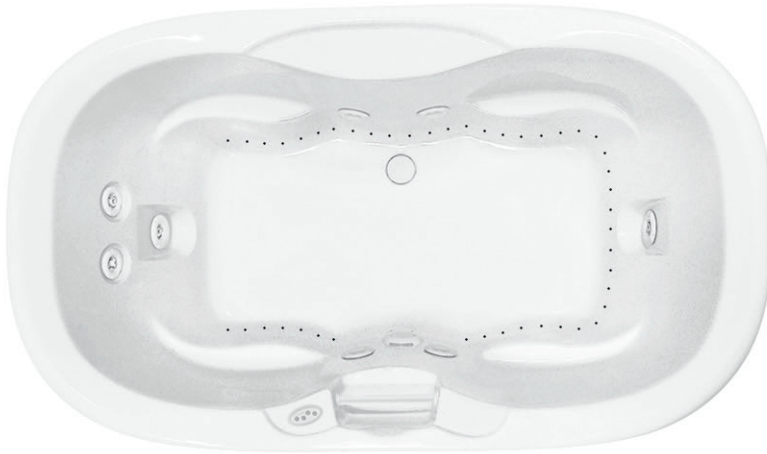
ESTATE SERIES

70 x 41 ¾ x 26 ¼

SOAKER MODEL #W7242RUOTO

WHIRLPOOL MODEL #W7242RUO

AIR-WHIRLPOOL MODEL #W21LUX7042



## FEATURES ~

- Deep, ergonomic bathing well
- Sculpted armrests
- Integral clear acrylic grab bar (1)
- Pre-leveled ABS support base
- Slip resistant floor
- Premium cast acrylic surface
- Limited lifetime warranty



Two Person Bath

## AVAILABLE SYSTEMS

### WHIRLPOOL

- Electronic control
- 8 hydrotherapy jets
  - 3-jet back, shoulder and neck massage system (dual port, spinning)
  - Leg and foot jets
- Whirlpool pump

### AIR-WHIRLPOOL COMBINATION

- Whirlpool system, plus:
- Perimeter air system
- Variable speed heated-air blower with purge and dry cycle
- Electronic wave and pulse modes
- 1.5kW inline maintenance heater

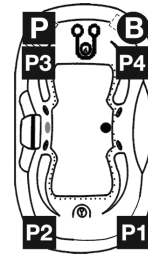


**AQUATIC**  
The bath people

# UNIVERSAL OVAL

70 x 41 3/4 x 26 1/4

BASE MODEL	PKG. WT. LBS.	JETS	DRAIN	MODEL #	MSLP
<input type="checkbox"/> Whirlpool	219	8	Center Front	W7242RU0	\$4,491
<input type="checkbox"/> Air-Whirlpool	256	8	Center Front	W21LUX7042	\$5,821



## ESTATE

### PRODUCT FEATURES

- Two person bath
- Acrylic grab bar
- Sculpted armrests

### ILLUSTRATION KEY

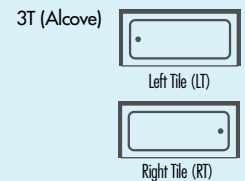
#### AIR-WHIRLPOOL MODELS

- P** = Pump Location
- B** = Blower Location

#### WHIRLPOOL ONLY MODELS

- = Pump Location

#### TILE FLANGE CONFIGURATIONS



OPTIONS (x = insert desired option code)	ENTER DESIRED OPTION CODE	MSLP
Cast acrylic stock color (COLxx): White (WH)	_____	No charge
Cast acrylic color upgrade (COLxx): Biscuit (BI)	_____	\$35
Cast acrylic premium color upgrade (COLUxx): Black (BK) Sterling Silver (ST)	_____	\$389
Pump location (PLxx): Standard Location (L1) Location 2 (L2) Location 3 (L3) Location 4 (L4) (whirlpool only)	_____	No charge
Factory installed rigid ABS tile flange (AFxx): Left Tile (LT) Right Tile (RT)	_____	\$185
Metallic trim finish: Chrome (MTCH)	_____	\$315
Metallic trim finish (MTxx): Polished Brass (BR) Brushed Nickel (SN)	_____	\$390
Magnetic pillow (MPxxxxx): White (WHPIL) Black (BKPIL)	_____	\$105
Cable drive waste & overflow: Chrome (CDCHCD)	_____	\$345
Cable drive waste & overflow, color-matched (CDxxxx): Biscuit (BICD) White (WHCD)	_____	\$390
Cable drive waste & overflow (CDxxxx): Oil Rubbed Bronze (OBCD) Polished Brass (BRCD) Brushed Nickel (SNCD)	_____	\$440
Chromatherapy, installed (CLM1)	_____	\$335
Inline heater - 1.5kW, factory installed (whirlpool only) (HTH1)	_____	\$400
Wood shipping crate (PKCR)	_____	\$460
Rush order program* (DELQK)	_____	\$325
Quick ship program* (whirlpool only) (DELSN)	_____	No charge
Residential delivery* (DELRD)	_____	\$205
Residential delivery with lift gate* (DELLG)	_____	\$454

\*For program terms and conditions, see page iii.

<b>BASE PRICE</b> (insert MSLP of base model selected in upper table)	+ \$	_____
<b>OPTIONS SUB TOTAL</b>	\$	_____
<b>ORDER TOTAL</b>	= \$	_____

### ORDERING KEY

In the part number, "xx" means an option code must be inserted.

Cast Acrylic stock color (COLxx): ← part number

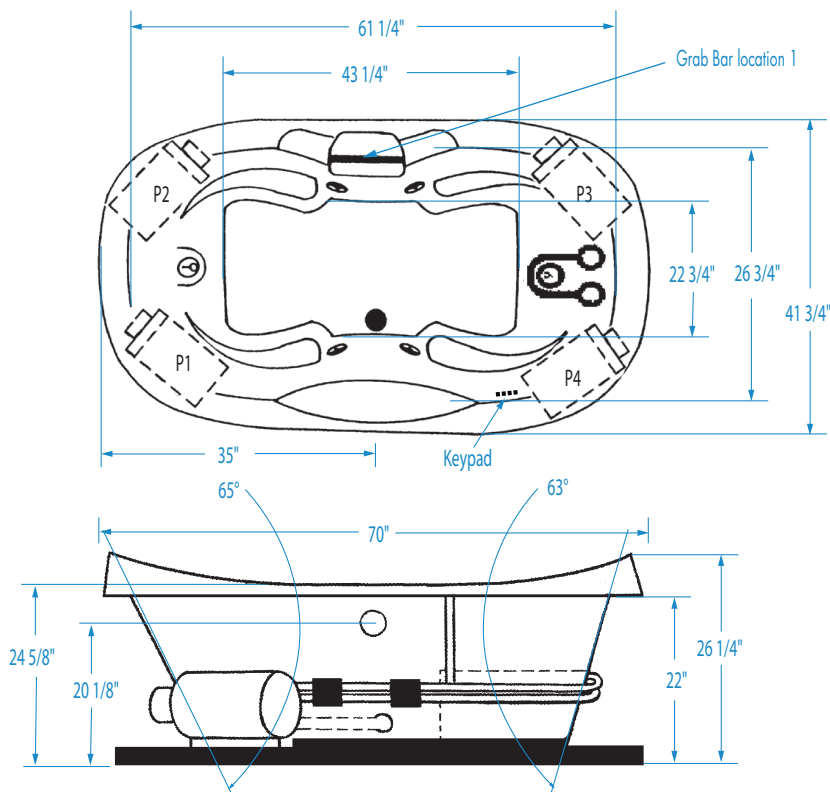
option code → White (WH)

**Example:** COLxx + WH = COLWH  
Cast Acrylic stock color in White

Manufacturer reserves the right to discontinue models, colors, options and trim finishes without notice.

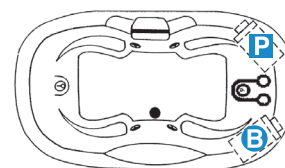
Customer Name: \_\_\_\_\_ Date: \_\_\_\_\_

Additional Information:

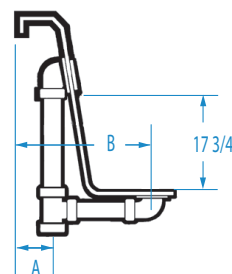


## UNIVERSAL OVAL

70 x 41 3/4 x 26 1/4 inches



Note: For Air-whirlpool, no alternate pump/blower location available.



**FEATURES** lbs (kg) Dimensional Tolerance ± 3/8". Dimensions needed for site preparation should be measured from the unit. Aquatic assumes no responsibility for preparatory work.

Type and Model #	Material	Jets	Pump	Air System	Blower	Heater	Controls	Drain	Pkg. Wt.
Soaker #W7242RUOTO	Cast Acrylic	0	-	-	-	-	-	Center Front	169
Whirlpool #W7242RUO	Cast Acrylic	8	102 GPM	-	-	1.5 kw Inline (optional)	Electronic	Center Front	219
Air-Whirlpool #W21LUX7042	Cast Acrylic	8	102 GPM	Channel	Variable speed	1.5 kw Inline	Electronic	Center Front	256

### DIMENSIONS inches

Width Overall / Net	Depth Overall / Net	Height Overall / Net	Skirt Height
70	41 3/4	26 1/4	-

### SUMP DATA inches

Capacity to Overflow gal (ltr)	Min. Operating Capacity gal (ltr)	WIDTH @ centerline		DEPTH @ centerline	
		Top	Bottom	Top	Bottom
95	76	61 1/4	43 1/4	26 3/4	22 3/4

### PLUMBING DIMENSIONS inches

A	B	Drain Diameter / Clearance
6 1/2	13 1/4	2 / 3/4

### ELECTRICAL DATA

Component	Specification	Requirement
Pump	9 AMP; 120V	15 AMP; 120V, separate circuit; Class A GFCI
Optional Heater	1.5 kW; 12 AMP; 120V	15 AMP; 120V, separate circuit; Class A GFCI
Blower	1.0 HP; 9.5 AMP; 120V	15 AMP; 120V, separate circuit; Class A GFCI

**NOTES:**

1) Where applicable, utilize cut-out templates packed with unit for deck cutouts.

2) 16 x 16 minimum access required at pump/blower location(s).

3) If a (3T) tiling flange is selected, then the keypad is located opposite of the flange.

**NOTE:**

1) This whirlpool must be hard wired to the breaker box. Three outlets will be supplied on the air-whirlpool.