

POINT REYES, JR.

ESTATE SERIES

65 ½ x 38 ½ x 22 ¾

WHIRLPOOL MODEL #W66400



FEATURES ~

- Deep, ergonomic bathing well
- Sculpted armrests
- Pre-leveled ABS support base
- Slip resistant floor
- Premium cast acrylic surface
- Limited lifetime warranty

AVAILABLE SYSTEMS

WHIRLPOOL

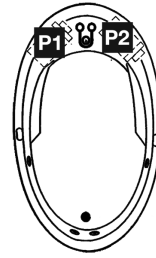
- Electronic control
- 7 hydrotherapy jets
 - 3-jet back, shoulder and neck massage system (dual port, spinning)
 - Leg and foot jets
- Whirlpool pump


AQUATIC
The bath people

POINT REYES, JR.

65 1/2 x 38 1/2 x 22 3/4

| BASE MODEL | PKG. WT. LBS. | JETS | DRAIN | MODEL # | MSLP |
|------------------------------------|---------------|------|----------|---------|---------|
| <input type="checkbox"/> Whirlpool | 230 | 7 | Univers. | W66400 | \$4,418 |



ESTATE

PRODUCT FEATURES

- Sculpted armrests

ILLUSTRATION KEY

AIR-WHIRLPOOL MODELS

- P** = Pump Location
- B** = Blower Location

WHIRLPOOL ONLY MODELS

- = Pump Location

| OPTIONS (x = insert desired option code) | ENTER DESIRED OPTION CODE | MSLP |
|---|---------------------------|-----------|
| Cast acrylic stock color (COLxx): White (WH) | _____ | No charge |
| Cast acrylic color upgrade (COLxx): Biscuit (BI) | _____ | \$35 |
| Cast acrylic premium color upgrade (COLUxx): Black (BK) Sterling Silver (ST) | _____ | \$389 |
| Pump location (PLxx): Standard Location (L1) Location 2 (L2) (whirlpool only) | _____ | No charge |
| Metallic trim finish: Chrome (MTCH) | _____ | \$315 |
| Metallic trim finish (MTxx): Polished Brass (BR) Brushed Nickel (SN) | _____ | \$390 |
| Magnetic pillow (MPxxxxx): White (WHPIL) Black (BKPIL) | _____ | \$105 |
| Cable drive waste & overflow: Chrome (CDCHCD) | _____ | \$345 |
| Cable drive waste & overflow, color-matched (CDxxxx): Biscuit (BICD) White (WHCD) | _____ | \$390 |
| Cable drive waste & overflow (CDxxxx): Oil Rubbed Bronze (OBCD) Polished Brass (BRCD) Brushed Nickel (SNCD) | _____ | \$440 |
| Chromatherapy, installed (CLM1) | _____ | \$335 |
| Inline heater - 1.5kW, factory installed (whirlpool only) (HTH1) | _____ | \$400 |
| Wood shipping crate (PKCR) | _____ | \$460 |
| Rush order program* (DELQK) | _____ | \$325 |
| Residential delivery* (DELRD) | _____ | \$205 |
| Residential delivery with lift gate* (DELLG) | _____ | \$454 |

*For program terms and conditions, see page iii.

| | |
|---|------------|
| BASE PRICE (insert MSLP of base model selected in upper table) | + \$ _____ |
| OPTIONS SUB TOTAL | \$ _____ |
| ORDER TOTAL | = \$ _____ |

ORDERING KEY

In the part number, "xx" means an option code must be inserted.

Cast Acrylic stock color (COLxx): ← part number

option code → White (WH)

Example: COLxx + WH = COLWH
Cast Acrylic stock color in White

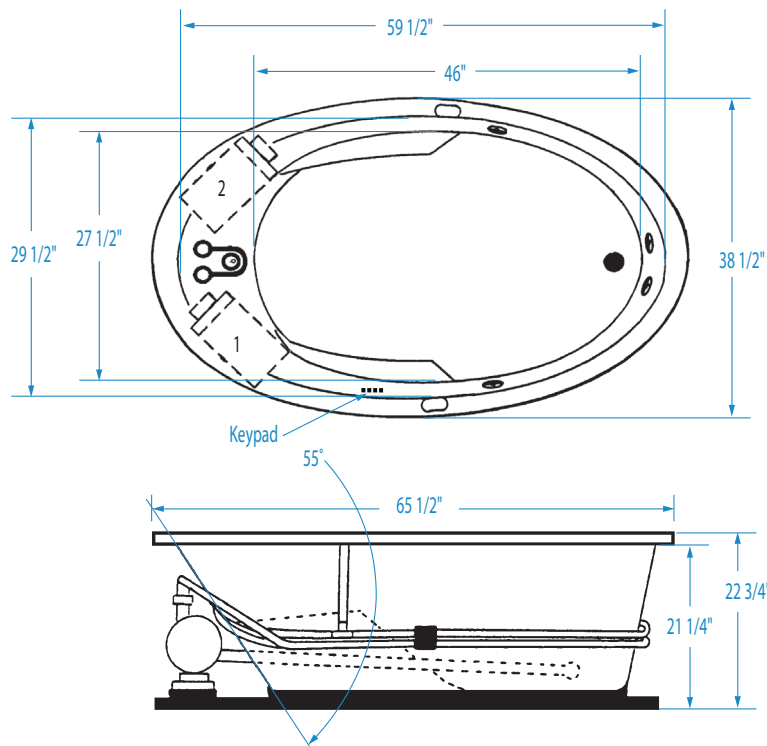
Manufacturer reserves the right to discontinue models, colors, options and trim finishes without notice.

Customer Name: _____ Date: _____

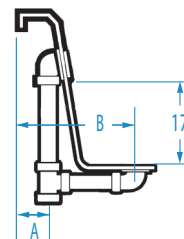
Additional Information:

POINT REYES, JR.

65 1/2 x 38 1/2 x 22 3/4 inches



Note: No Grab Bar option available.



FEATURES lbs (kg) Dimensional Tolerance ± 3/8". Dimensions needed for site preparation should be measured from the unit. Aquatic assumes no responsibility for preparatory work.

| Type and Model # | Material | Jets | Pump | Heater | Controls | Drain | Pkg. Wt. |
|-------------------|--------------|------|---------|--------------------------|------------|-----------|----------|
| Whirlpool #W66400 | Cast Acrylic | 7 | 102 GPM | 1.5 kw Inline (optional) | Electronic | Universal | 230 |

DIMENSIONS inches

| Width Overall / Net | Depth Overall / Net | Height Overall / Net | Skirt Height |
|------------------------|------------------------|-------------------------|-----------------|
| 65 1/2 | 38 1/2 | 22 3/4 | - |

SUMP DATA inches

| Capacity to Overflow gal (ltr) | Min. Operating Capacity gal (ltr) | WIDTH @ centerline | | DEPTH @ centerline | |
|--------------------------------------|---|--------------------|--------|--------------------|--------|
| | | Top | Bottom | Top | Bottom |
| 79 | 60 | 59 1/2 | 46 | 29 1/2 | 27 1/2 |

PLUMBING DIMENSIONS inches

| A | B | Drain Diameter / Clearance |
|-------|--------|----------------------------------|
| 3 3/4 | 11 1/4 | 2 / 7/8 |

ELECTRICAL DATA

| Component | Specification | Requirement |
|-----------------|----------------------|--|
| Pump | 9 AMP; 120V | 15 AMP; 120V, separate circuit; Class A GFCI |
| Optional Heater | 1.5 kW; 12 AMP; 120V | 15 AMP; 120V, separate circuit; Class A GFCI |

NOTES:

1) Where applicable, utilize cut-out templates packed with unit for deck cutouts.

2) 16 x 16 minimum access required at pump/blower location(s).

3) If a (3T) tiling flange is selected, then the keypad is located opposite of the flange.

NOTE:

1) This whirlpool must be hard wired to the breaker box.