

60 x 37 ¾ x 20 ¼

SOAKER MODEL #W6038OTO

WHIRLPOOL MODEL #W6038O

AIR-WHIRLPOOL MODEL #W29LUX6038



### FEATURES ~

- Deep, ergonomic bathing well
- Sculpted armrests
- Pre-leveled ABS support base
- Slip resistant floor
- Premium cast acrylic surface
- Limited lifetime warranty

Note: Not a drop-in model.

Deck must be built around tub.

### AVAILABLE SYSTEMS

#### WHIRLPOOL

- Electronic control
- 7 hydrotherapy jets
  - 3-jet back, shoulder and neck massage system (dual port, spinning)
  - Leg and foot jets
- Whirlpool pump

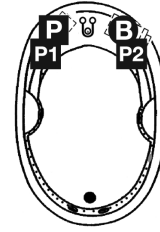
#### AIR-WHIRLPOOL COMBINATION

- Whirlpool system, plus:
- Perimeter air system
- Variable speed heated-air blower with purge and dry cycle
- Electronic wave and pulse modes
- 1.5kW inline maintenance heater

# SAN SIMEON

60 x 37 3/4 x 20 1/4

BASE MODEL	PKG. WT. LBS.	JETS	DRAIN	MODEL #	MSLP
<input type="checkbox"/> Whirlpool	179	7	Univers.	W60380	\$3,856
<input type="checkbox"/> Air-Whirlpool	209	7	Univers.	W29LUX6038	\$5,556



## ESTATE

### PRODUCT FEATURES

- Sculpted armrests
- Note: Not a drop-in model. Deck must be built around unit.

### ILLUSTRATION KEY

#### AIR-WHIRLPOOL MODELS

- P** = Pump Location
- B** = Blower Location

#### WHIRLPOOL ONLY MODELS

- = Pump Location

OPTIONS (x = insert desired option code)	ENTER DESIRED OPTION CODE	MSLP
Cast acrylic stock color (COLxx): White (WH)	_____	No charge
Cast acrylic color upgrade (COLxx): Biscuit (BI)	_____	\$35
Cast acrylic premium color upgrade (COLUxx): Black (BK) Sterling Silver (ST)	_____	\$389
Pump location (PLxx): Standard Location (L1) Location 2 (L2) (whirlpool only)	_____	No charge
Metallic trim finish: Chrome (MTCH)	_____	\$315
Metallic trim finish (MTxx): Polished Brass (BR) Brushed Nickel (SN)	_____	\$390
Magnetic pillow (MPxxxxx): White (WHPIL) Black (BKPIL)	_____	\$105
Cable drive waste & overflow: Chrome (CDCHCD)	_____	\$345
Cable drive waste & overflow, color-matched (CDxxxx): Biscuit (BICD) White (WHCD)	_____	\$390
Cable drive waste & overflow (CDxxxx): Oil Rubbed Bronze (OBCD) Polished Brass (BRCD) Brushed Nickel (SNCD)	_____	\$440
Chromatherapy, installed (CLM1)	_____	\$335
Inline heater - 1.5kW, factory installed (whirlpool only) (HTH1)	_____	\$400
Wood shipping crate (PKCR)	_____	\$460
Rush order program* (DELQK)	_____	\$325
Residential delivery* (DELRD)	_____	\$205
Residential delivery with lift gate* (DELLG)	_____	\$454

\*For program terms and conditions, see page iii.

<b>BASE PRICE</b> (insert MSLP of base model selected in upper table)	+ \$ _____
<b>OPTIONS SUB TOTAL</b>	\$ _____
<b>ORDER TOTAL</b>	= \$ _____

### ORDERING KEY

In the part number, "xx" means an option code must be inserted.

Cast Acrylic stock color (COLxx): ← part number

option code → White (WH)

**Example:** COLxx + WH = COLWH  
Cast Acrylic stock color in White

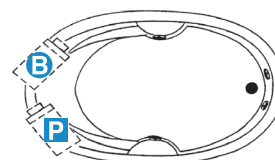
Manufacturer reserves the right to discontinue models, colors, options and trim finishes without notice.

Customer Name: \_\_\_\_\_ Date: \_\_\_\_\_

Additional Information:

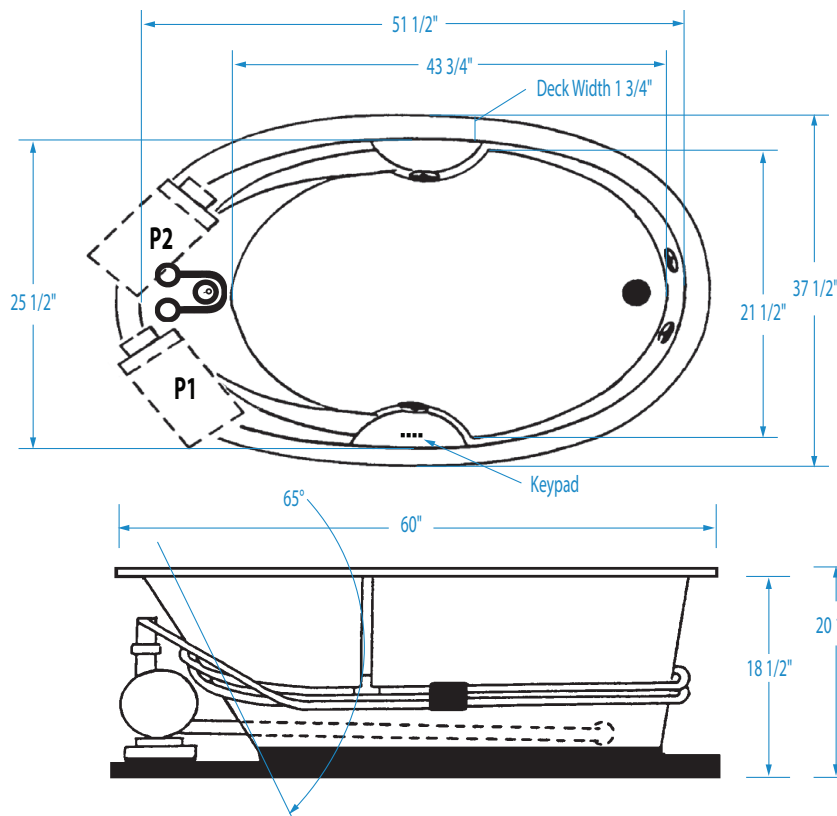
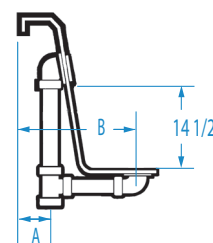
# SAN SIMEON

60 x 37 3/4 x 20 1/4 inches



Note: For Air-whirlpool, no alternate pump/blower location available.

Note: No Grab Bar option available.



Note: Tub Only units do not come standard with the Pre-leveled ABS Support Base.

**FEATURES** lbs (kg) Dimensional Tolerance ± 3/8". Dimensions needed for site preparation should be measured from the unit. Aquatic assumes no responsibility for preparatory work.

Type and Model #	Material	Jets	Pump	Air System	Blower	Heater	Controls	Drain	Pkg. Wt.
Soaker #W6038OTO	Cast Acrylic	0	-	-	-	-	-	Universal	139
Whirlpool #W6038O	Cast Acrylic	7	102 GPM	-	-	1.5 kw Inline (optional)	Electronic	Universal	179
Air-Whirlpool #W29LUX6038	Cast Acrylic	7	102 GPM	Channel	Variable speed	1.5 kw Inline	Electronic	Universal	209

## DIMENSIONS inches

Width Overall / Net	Depth Overall / Net	Height Overall / Net	Skirt Height
60	37 3/4	20 1/4	-

## SUMP DATA inches

Capacity to Overflow gal (ltr)	Min. Operating Capacity gal (ltr)	WIDTH @ centerline		DEPTH @ centerline	
		Top	Bottom	Top	Bottom
60	41	51 1/2	43 3/4	25 1/2	21 1/2

## PLUMBING DIMENSIONS inches

A	B	Drain Diameter / Clearance
2 1/2	9 3/8	2 / 1 3/4

## ELECTRICAL DATA

Component	Specification	Requirement
Pump	9 AMP; 120V	15 AMP; 120V, separate circuit; Class A GFCI
Optional Heater	1.5 kW; 12 AMP; 120V	15 AMP; 120V, separate circuit; Class A GFCI
Blower	1.0 HP; 9.5 AMP; 120V	15 AMP; 120V, separate circuit; Class A GFCI

### NOTES:

1) Where applicable, utilize cut-out templates packed with unit for deck cutouts.

2) 16 x 16 minimum access required at pump/blower location(s).

3) If a (3T) tiling flange is selected, then the keypad is located opposite of the flange.

### NOTE:

1) This whirlpool must be hard wired to the breaker box. Three outlets will be supplied on the air-whirlpool.