

# MILLENNIUM 10

82 x 48 x 33 inches



## FEATURES

- Dual hydrotherapy bath with independent bathing zones
- Raised seating
- Sculpted armrests
- Molded footrests
- Two extra-soft magnetic comfort pillows
- Adjustable metal base
- Slip resistant floor
- Premium cast acrylic surface
- Limited lifetime warranty



Two Person Bath

## AVAILABLE SYSTEMS

### AIR-WHIRLPOOL COMBINATION

- Dual bathing zones with independent electronic controls
- 22 hydrotherapy jets
  - 12-jet heated-air shiatsu back massage system
  - Elbow and wrist jets
  - Knee and foot jets
  - Back massage jets
- 2 independent 1.75hp pumps (one for each bathing zone)
- 1.5kW inline maintenance heater
- High intensity LED chromotherapy lights (3)
- In-floor illusion air injectors
- Variable speed heated-air blower with wave and pulse modes
- Air system purge and dry cycle
- Floating remote control



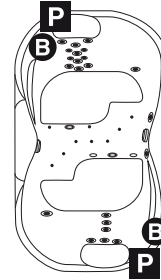
Rev. 01.18.17

PRICE LIST/ORDER FORM — PURCHASE ORDER REQUIRED

# MILLENNIUM 10

82 x 48 x 33

BASE MODEL	PKG. WT. LBS.	JETS	DRAIN	MODEL #	MSLP
Air-Whirlpool	740	24	Center	W10MIL8248	\$18,538



## MILLENNIUM

### PRODUCT FEATURES

OPTIONS (x = insert desired option code)	ENTER DESIRED OPTION CODE	MSLP
Cast acrylic stock color (COLxx): White (WH)	_____	No charge
Cast acrylic color upgrade (COLxx): Biscuit (BI)	_____	\$35
Cast acrylic premium color upgrade (COLUxx): Black (BK) Sterling Silver (ST)	_____	\$389
Magnetic pillows (2) (MPxxxxx): White (WHPIL) Black (BKPIL)	_____	No charge
Cable drive waste & overflow: Chrome (CDCHCD)	_____	\$345
Cable drive waste & overflow, color-matched (CDxxxx): Biscuit (BICD) White (WHCD)	_____	\$390
Cable drive waste & overflow (CDxxxx): Oil Rubbed Bronze (OBCD) Polished Brass (BRCD) Brushed Nickel (SNCD)	_____	\$440
Metallic trim: Chrome (MTCH)	_____	\$540
Metallic trim (MTxx): Polished Brass (BR) Brushed Nickel (SN)	_____	\$675
Fast-fill waterfall spout (SPWFS)	_____	\$525
Rush order program* (DELQK)	_____	\$325
Residential delivery* (DELRD)	_____	\$205
Residential delivery with lift gate* (DELLG)	_____	\$249

\*For program terms and conditions, see page iii.

<b>BASE PRICE</b> (insert MSLP of base model selected in upper table)	+ \$ _____
<b>OPTIONS SUB TOTAL</b>	\$ _____
<b>ORDER TOTAL</b>	= \$ _____

For series features see section page.

### ILLUSTRATION KEY

- P** = Pump Location
- B** = Blower Location

### ORDERING KEY

In the part number, "xx" means an option code must be inserted.

Acrylic stock color (COLxx): ← part number

option code → White (WH)

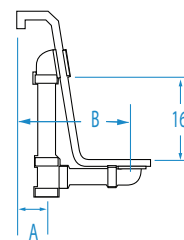
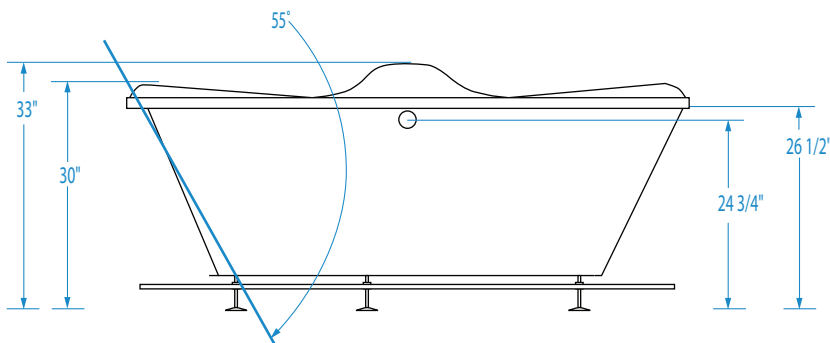
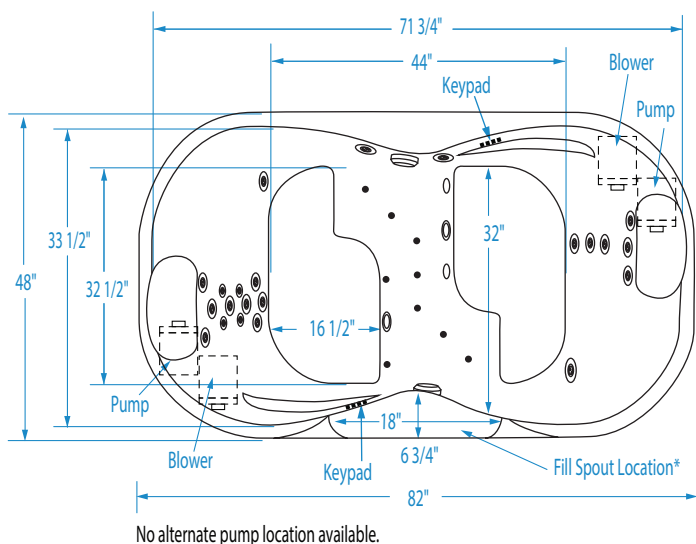
**Example:** COLxx + WH = COLWH  
Acrylic stock color in White

# MILLENNIUM 10

82 x 48 x 33 inches



This unit has a 3/4" female waterfall fill spout connection.



## FEATURES

Dimensional Tolerance ± 3/8". Dimensions needed for site preparation should be measured from the unit. Aquatic assumes no responsibility for preparatory work.

Type and Model #	Material	Jets	Pump	Air System	Blower	Heater	Controls	Drain	Pkg. Wt. lbs
Air-Whirlpool #W10MIL8248	Cast Acrylic	22	1.75 HP (2)	Injector	Variable speed (2)	1.5 kw Inline	Electronic	Center	740

## DIMENSIONS inches

Width Overall / Net	Depth Overall / Net	Height Overall / Net	Skirt Height
82	48	33	-

## INTERIOR BATHING WELL inches

Capacity to Overflow gal (ltr)	Min. Operating Capacity gal (ltr)	WIDTH @ centerline		DEPTH @ centerline	
		Top	Bottom	Top	Bottom
140	116	71 3/4	44	33 1/2	32 1/2

## PLUMBING DIMENSIONS inches (mm)

A	B	Drain Diameter / Clearance
4 1/8	24	2 / 2 3/8

## ELECTRICAL DATA

Component	Specification	Requirement
Electronic Control Package		(2) 240V; 15AMP w/ GFCI; 4-Wire w/ Dedicated Neutral

### NOTES:

- Where applicable, utilize cut-out templates packed with unit for deck cutouts.
- 16 x 16 minimum access required at pump/blower location(s).