

# MILLENNIUM 8

71 ½ x 71 ½ x 33 ¼ inches



Overflow located underneath fill spout



## FEATURES

- Dual hydrotherapy bath with independent bathing zones
- Raised seating
- Sculpted armrests
- Molded footrests
- Two extra-soft magnetic comfort pillows
- Adjustable metal base
- Slip resistant floor
- Premium cast acrylic surface
- Limited lifetime warranty



Two Person Bath

## AVAILABLE SYSTEMS

### AIR-WHIRLPOOL COMBINATION

- Dual bathing zones with independent electronic controls
- 24 hydrotherapy jets
  - 12-jet heated-air shiatsu back massage system
  - Elbow and wrist jets
  - Knee and foot jets
  - Back massage jets
- 2 independent 1.75hp pumps (one for each bathing zone)
- 1.5kW inline maintenance heater
- High intensity LED chromotherapy lights (3)
- In-floor illusion air injectors
- Variable speed heated-air blower with wave and pulse modes
- Air system purge and dry cycle
- Floating remote control



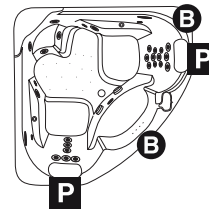
Rev. 01.18.17

PRICE LIST/ORDER FORM — PURCHASE ORDER REQUIRED

# MILLENNIUM 8

71 1/2 x 71 1/2 x 33 1/4 inches

| BASE MODEL    | PKG. WT. LBS. | JETS | DRAIN  | MODEL #   | MSLP     |
|---------------|---------------|------|--------|-----------|----------|
| Air-Whirlpool | 862           | 24   | Center | W8MIL7272 | \$18,538 |



## MILLENNIUM

### PRODUCT FEATURES

For series features see section page.

### ILLUSTRATION KEY

- P** = Pump Location
- B** = Blower Location

| OPTIONS (x = insert desired option code)   | ENTER DESIRED OPTION CODE | MSLP      |
|--|---------------------------|-----------|
| Cast acrylic stock color (COLxx): White (WH)   | _____                     | No charge |
| Cast acrylic color upgrade (COLxx): Biscuit (BI)   | _____                     | \$35      |
| Cast acrylic premium color upgrade (COLUxx): Black (BK) Sterling Silver (ST)                                   | _____                     | \$389     |
| Magnetic pillows (2) (MPxxxxx): White (WHPIL) Black (BKPIL)  | _____                     | No charge |
| Cable drive waste & overflow: Chrome (CDCHCD)  | _____                     | \$345     |
| Cable drive waste & overflow, color-matched (CDxxxx): Biscuit (BICD) White (WHCD)                              | _____                     | \$390     |
| Cable drive waste & overflow (CDxxxx):<br>Oil Rubbed Bronze (OBCD) Polished Brass (BRCD) Brushed Nickel (SNCD) | _____                     | \$440     |
| Metallic trim: Chrome (MTCH)   | _____                     | \$540     |
| Metallic trim (MTxx): Polished Brass (BR) Brushed Nickel (SN)  | _____                     | \$675     |
| Fast-fill waterfall spout (SPWFS)  | _____                     | \$525     |
| Rush order program* (DELQK)  | _____                     | \$325     |
| Residential delivery* (DELRD)  | _____                     | \$205     |
| Residential delivery with lift gate* (DELLG)   | _____                     | \$249     |

\*For program terms and conditions, see page iii.

|   |            |
|---|------------|
| <b>BASE PRICE</b> (insert MSLP of base model selected in upper table) | + \$ _____ |
| <b>OPTIONS SUB TOTAL</b>  | \$ _____   |
| <b>ORDER TOTAL</b>  | = \$ _____ |

### ORDERING KEY

In the part number, "xx" means an option code must be inserted.

Acrylic stock color (COLxx): ← part number

option code → White (WH)

**Example:** COLxx + WH = COLWH  
Acrylic stock color in White

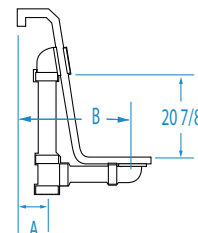
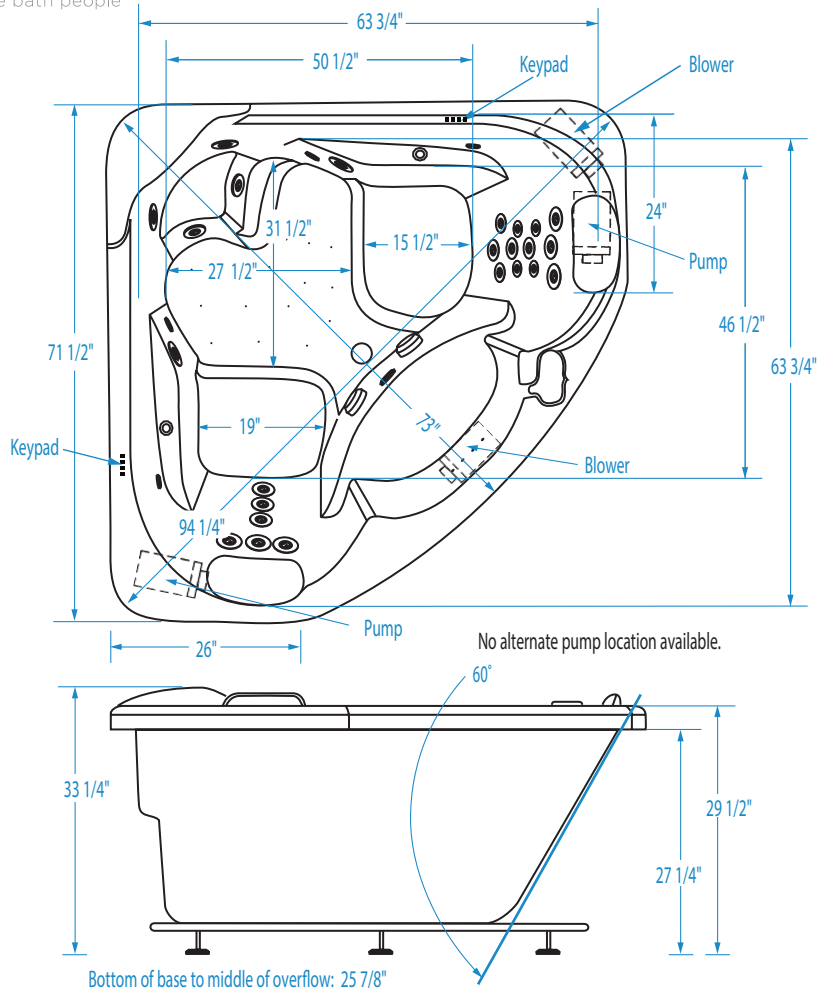
Manufacturer reserves the right to discontinue models, colors, options and trim finishes without notice.

# MILLENNIUM 8

71 1/2 x 71 1/2 x 33 1/4 inches



This unit has a 3/4" female waterfall fill spout connection.



**FEATURES** Dimensional Tolerance ± 3/8". Dimensions needed for site preparation should be measured from the unit. Aquatic assumes no responsibility for preparatory work.

| Type and Model #         | Material     | Jets | Pump        | Air System | Blower             | Heater        | Controls   | Drain  | Pkg. Wt. lbs. |
|--------------------------|--------------|------|-------------|------------|--------------------|---------------|------------|--------|---------------|
| Air-Whirlpool #W8MIL7272 | Cast Acrylic | 24   | 1.75 HP (2) | Injector   | Variable speed (2) | 1.5 kw Inline | Electronic | Center | 862           |

**DIMENSIONS** inches

| Width Overall / Net | Depth Overall / Net | Height Overall / Net | Skirt Height |
|---------------------|---------------------|----------------------|--------------|
| 71 1/2)             | 71 1/2              | 33 1/4)              | -            |

**INTERIOR BATHING WELL** inches

| Capacity to Overflow gal (ltr) | Min. Operating Capacity gal (ltr) | WIDTH @ centerline |        | DEPTH @ centerline |        |
|--------------------------------|-----------------------------------|--------------------|--------|--------------------|--------|
|                                |                                   | Top                | Bottom | Top                | Bottom |
| 192                            | 170                               | 63 3/4             | 50 1/2 | 63 3/4             | 46 1/2 |

**PLUMBING DIMENSIONS** inches (mm)

| A     | B  | Drain Diameter / Clearance |
|-------|----|----------------------------|
| 6 1/8 | 41 | 2 / 3 1/2                  |

**ELECTRICAL DATA**

| Component                  | Specification | Requirement  |
|----------------------------|---------------|--|
| Electronic Control Package |               | (2) 240V; 15AMP w/ GFCl; 4-Wire w/ Dedicated Neutral |

**NOTES:**

- 1) Where applicable, utilize cut-out templates packed with unit for deck cutouts.
- 2) 16 x 16 minimum access required at pump/blower location(s).