

FEATURES

- Air injected Aero-Jet® technology
- Enhanced flow trajectory for expanded surface coverage
- Maximum flow rate of 1.5 GPM (5.7 LPM)
- Minimalistic streamline design
- Rubber nozzles to prevent limescale build-up
- G1/2 thread connection compatible with 1/2 NPT
- Meets 2018 California water efficiency appliance CEC regulations

OPTIONAL COMPONENT

TS200N6#CP – Brass Shower Arm 6" (Sold separately)

COLORS/FINISHES

#CP Polished Chrome

CODES/STANDARDS

- Meets or exceeds ASME A112.18.1/CSA B125.1
- Certifications: IAPMO(cUPC), EPA WaterSense, State of Massachusetts, and others
- Code compliance: UPC, IPC, NSPC, NPC Canada, CEC, and others



PRODUCT SPECIFICATION

Product shall be TOTO Model TS360A17#CP. Product shall have a maximum flow rate of 1.5 GPM (5.7 LPM). Product shall have a single spray. Product shall have rubber nozzles to prevent limescale build up.



TS360A15

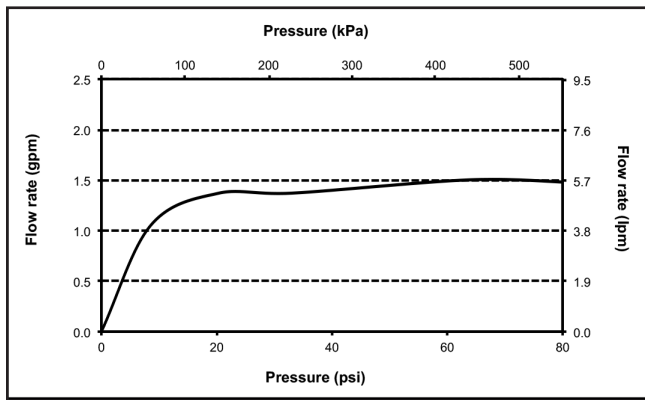
Oberon® Showerhead

SPECIFICATIONS

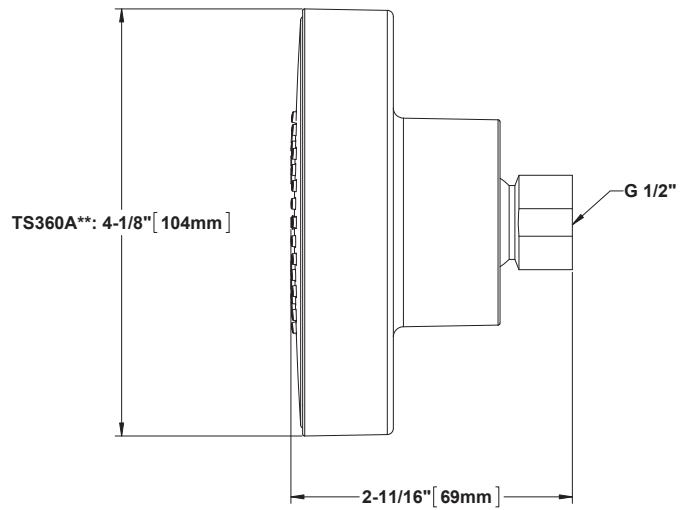
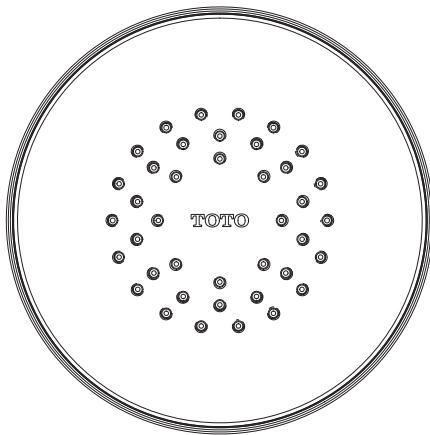
Material	ABS & POM
Maximum Flow Rate	1.5 GPM (5.7 LPM)
Warranty	One Year Limited Warranty
Shipping Weight	1 lb
Shipping Dimensions	5" L x 5" W x 4-7/8" H

INSTALLATION NOTES

Use with TS200N6 Shower Arm 6" (Sold separately)



DIMENSIONS



TOTO®

FEATURES

- Air injected Aero-Jet® technology
- Enhanced flow trajectory for expanded surface coverage
- Maximum flow rate of 1.75 GPM (6.6 LPM)
- Minimalistic streamline design
- Rubber nozzles to prevent limescale build-up
- G1/2 thread connection compatible with 1/2 NPT
- Meets 2018 California water efficiency appliance CEC regulations

OPTIONAL COMPONENT

TS200N6#CP – Brass Shower Arm 6" (Sold separately)

COLORS/FINISHES

#CP Polished Chrome

CODES/STANDARDS

- Meets or exceeds ASME A112.18.1/CSA B125.1
- Certifications: IAPMO(cUPC), EPA WaterSense, State of Massachusetts, and others
- Code compliance: UPC, IPC, NSPC, NPC Canada, CEC, and others



PRODUCT SPECIFICATION

Product shall be TOTO Model TS360A17#CP. Product shall have a maximum flow rate of 1.75 GPM (6.6 LPM). Product shall have a single spray. Product shall have rubber nozzles to prevent limescale build up.



TS360A17

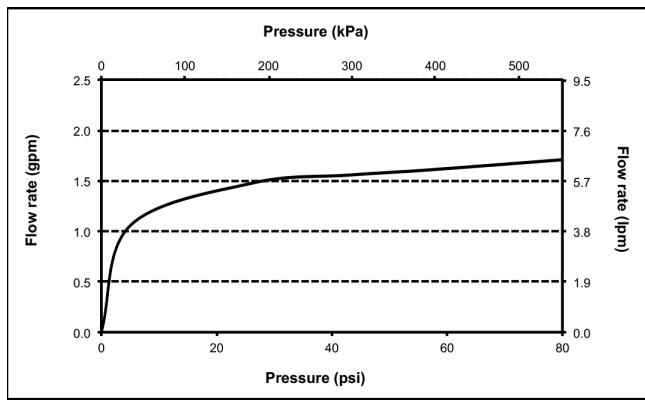
Oberon® Showerhead

SPECIFICATIONS

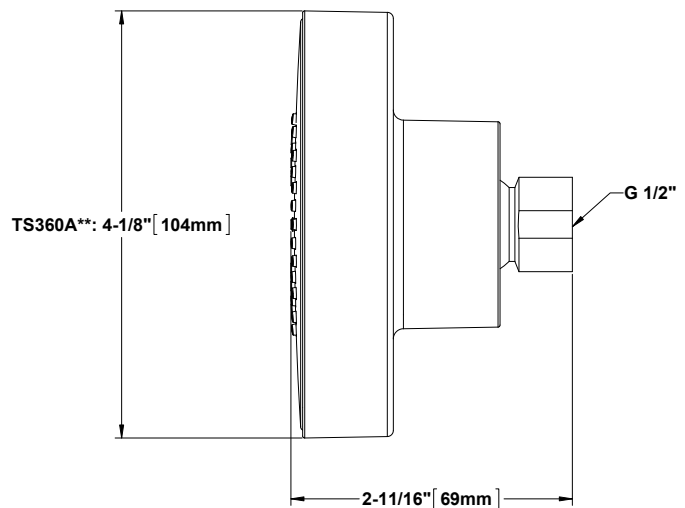
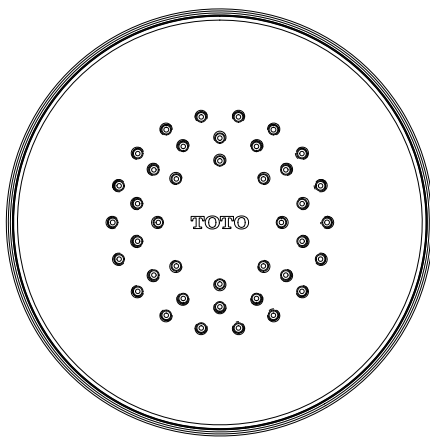
Material	ABS & POM
Maximum Flow Rate	1.75 GPM (6.6 LPM)
Warranty	One Year Limited Warranty
Shipping Weight	1 lb
Shipping Dimensions	5" L x 5" W x 4-7/8" H

INSTALLATION NOTES

Use with TS200N6 Shower Arm 6" (Sold separately)



DIMENSIONS



TOTO®

FEATURES

- Air injected Aero-Jet® technology
- Enhanced flow trajectory for expanded surface coverage
- Maximum flow rate of 2.0 GPM (7.5 LPM)
- Minimalistic streamline design
- Rubber nozzles to prevent limescale build-up
- G1/2 thread connection compatible with 1/2 NPT
- Meets 2018 California water efficiency appliance CEC regulations

OPTIONAL COMPONENT

TS200N6#CP – Brass Shower Arm 6" (Sold separately)

COLORS/FINISHES

#CP Polished Chrome

CODES/STANDARDS

- Meets or exceeds ASME A112.18.1/CSA B125.1
- Certifications: IAPMO(cUPC), EPA WaterSense, State of Massachusetts, and others
- Code compliance: UPC, IPC, NSPC, NPC Canada, CEC, and others



PRODUCT SPECIFICATION

Product shall be TOTO Model TS360A20#CP. Product shall have a maximum flow rate of 2.0 GPM (7.5 LPM). Product shall have a single spray. Product shall have rubber nozzles to prevent limescale build up.



TS360A20

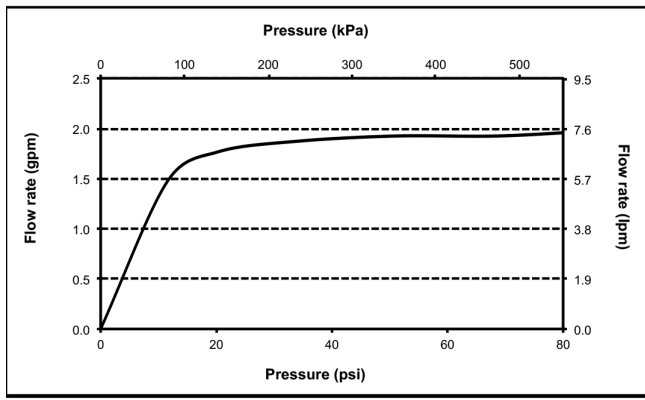
Oberon® Showerhead

SPECIFICATIONS

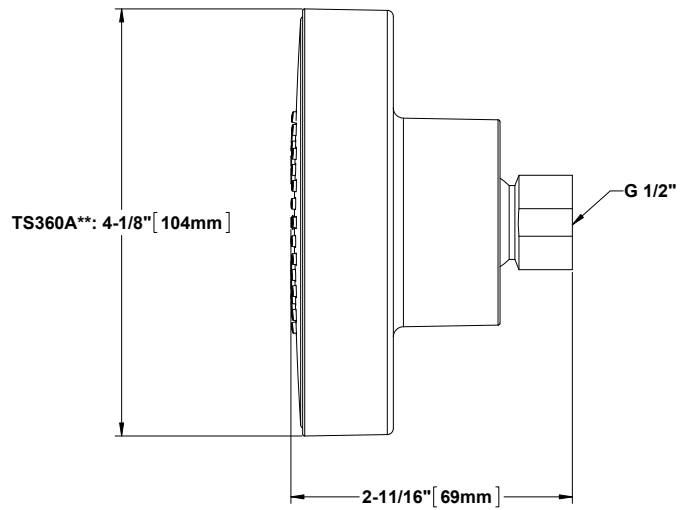
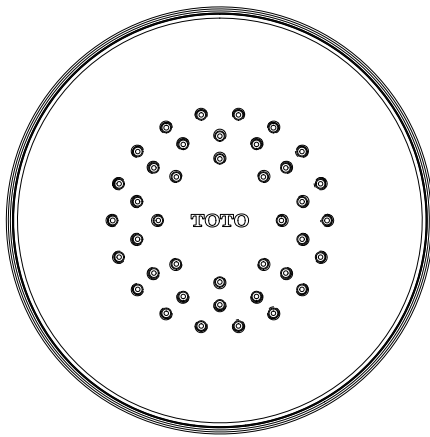
Material	ABS & POM
Maximum Flow Rate	2.0 GPM (7.5 LPM)
Warranty	One Year Limited Warranty
Shipping Weight	1 lb
Shipping Dimensions	5" L x 5" W x 4-7/8" H

INSTALLATION NOTES

Use with TS200N6 Shower Arm 6" (Sold separately)



DIMENSIONS



TOTO®