

FEATURES

- 26" x 19-11/16"
- CeFiONtect™ ceramic glaze - prevents debris and mold from sticking to ceramic surfaces, leading to fewer chemicals and less water in cleaning
- Contemporary styling
- Rear overflow
- 34" Universal Height for maximum comfort
- Vitreous china pedestal and lavatory combination complete with mounting hardware

MODELS

- LPT315G
Pedestal lavatory with single hole
- LPT315.4G
Pedestal lavatory with 4" faucet centers
- LPT315.8G
Pedestal lavatory with 8" faucet centers
- Available Components:
LT315G
Lavatory with single hole

LT315.4G
Lavatory with 4" faucet centers

LT315.8G
Lavatory with 8" faucet centers

PT315
Pedestal only, with mounting hardware



Faucet sold separately



CODES/STANDARDS

- Meets and exceeds ASME A112.19.2/CSA B45.1
- Certifications: IAPMO(cUPC), State of Massachusetts, City of Los Angeles, and others
- Code compliance: UPC, IPC, NSPC, NPC Canada, and others



COLORS/FINISHES

- #01 Cotton
- #12 Sedona Beige

PRODUCT SPECIFICATION

The lavatory shall have CeFiONtect glazing and be 26" width and 19-11/16" depth. The basin shall be 19-5/16" width and 11-5/8" depth. The lavatory shall be made of vitreous china and be 34" universal height with rear overflow. Lavatory shall be TOTO Model LPT315_____.

LPT315G

Pedestal Lavatory

SPECIFICATIONS

- Waste 1-1/4" O.D.
- Size 26"W x 19-11/16"D
- Basin 19-5/16"W x 11-5/8"D
- Warranty One Year Limited Warranty
- Material Vitreous china
- Shipping Weight LT315G/LT315.4G/LT315.8G 49 lbs.

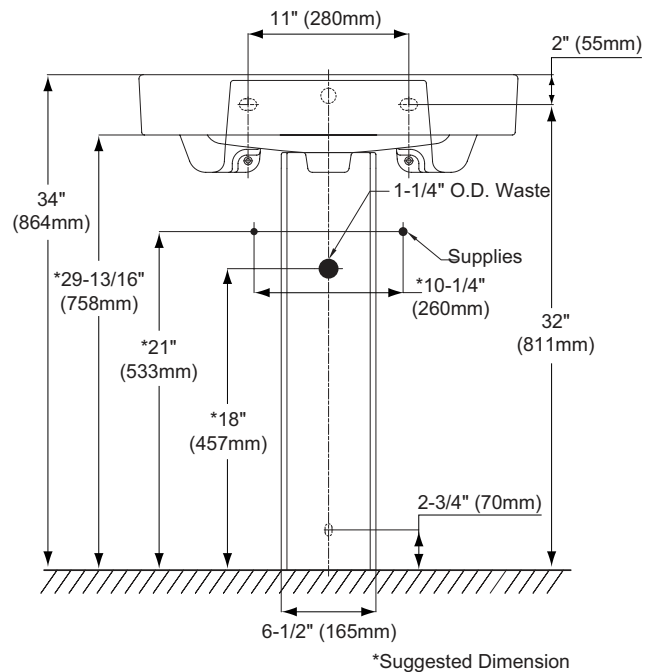
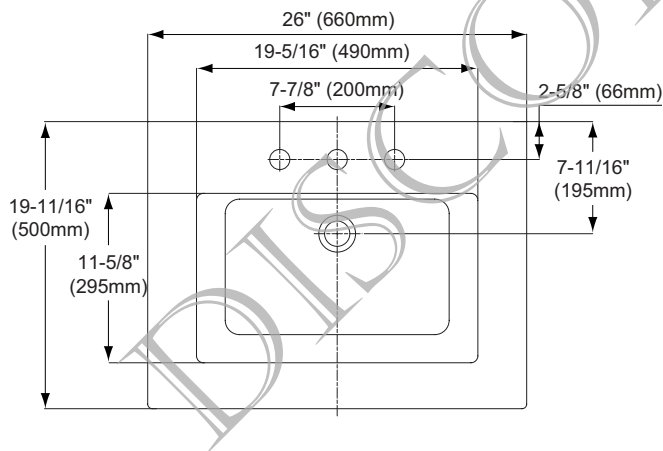
PT315
26 lbs.

- Shipping Dimensions LT315G/LT315.4G/LT315.8G 27"W x 21"D x 8-7/8"H

PT315
27"W x 20-7/8"D x 7-7/8"H

INSTALLATION NOTES

Requires PT315 pedestal for support. Use proper back support to mount product.



These dimensions and specifications are subject to change without notice