

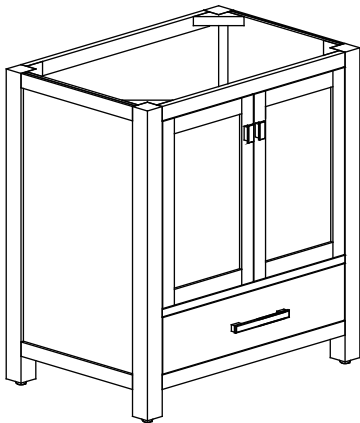
SUGGESTED TOOLS AND MATERIALS / OUTILS ET MATÉRIAUX PROPOSÉES



Tape Measure / Mètre à ruban

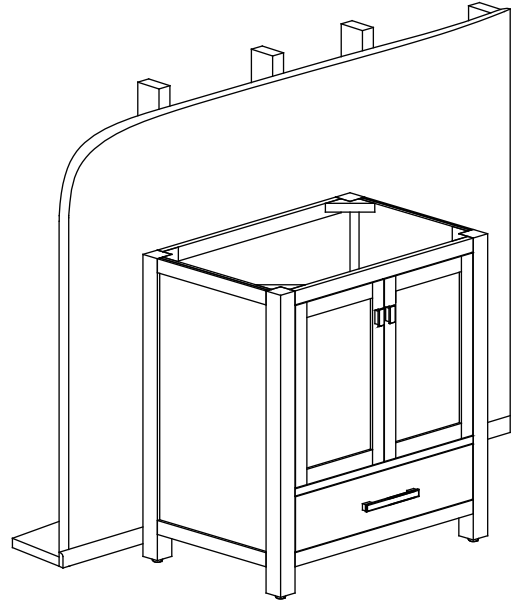
INSTALLATION INSTRUCTIONS / Les instructions d'installation

1



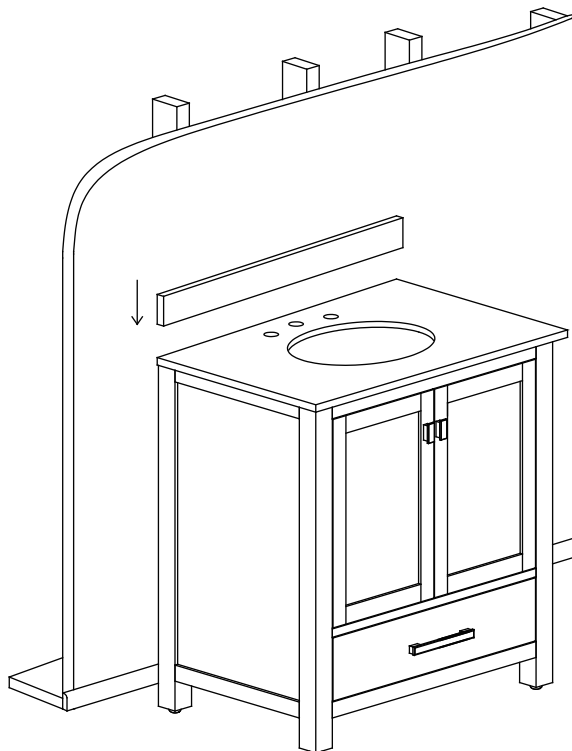
Remove vanity from box and examine vanity for any defects or damage.

2



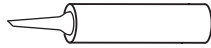
Carefully place vanity against wall.

3



Install vanity top according to manufacturer's directions.

SUGGESTED TOOLS AND MATERIALS



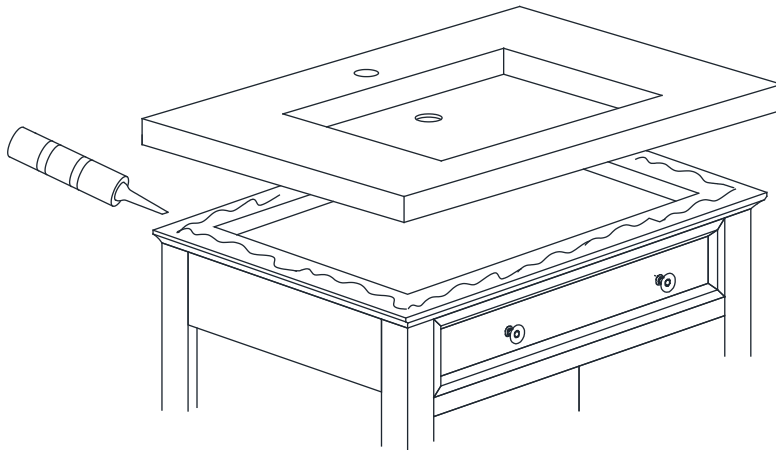
Sealant



Tape Measure

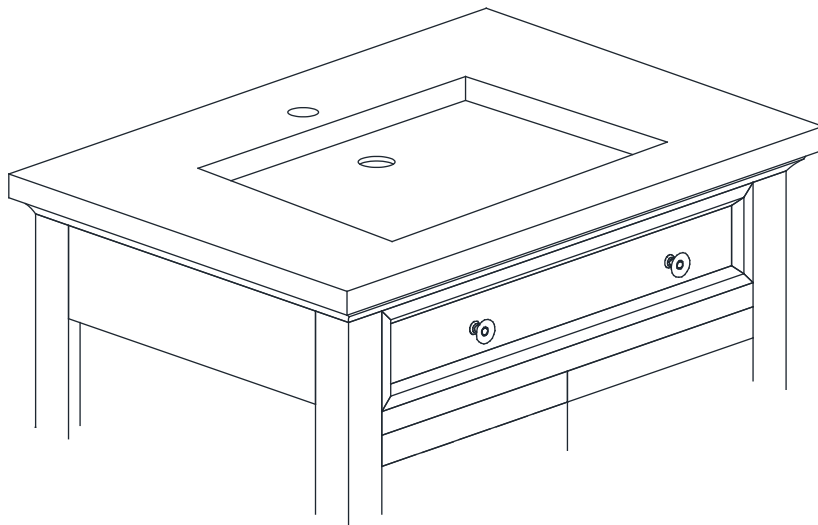
SINK INSTALLATION

1



Apply bead of quality sealant evenly along the top of the vanity.

2



Move the stone top to ensure same edge space on two sides and adjust the leg levelers if need.