

**38-3.1FLTHRM-\_-\_-EV4**

**Thermostatic Exposed Floor Tub/ Shower System**

H=84"  
I=90"  
J=96"  
  
P=14"  
Q=16"  
R=18"  
  
U=8"  
V=12"  
W=18"



Meets the applicable requirements of ASME A112.18.1-2005/CSA B125.1-05, entitled "Plumbing Supply Fittings"

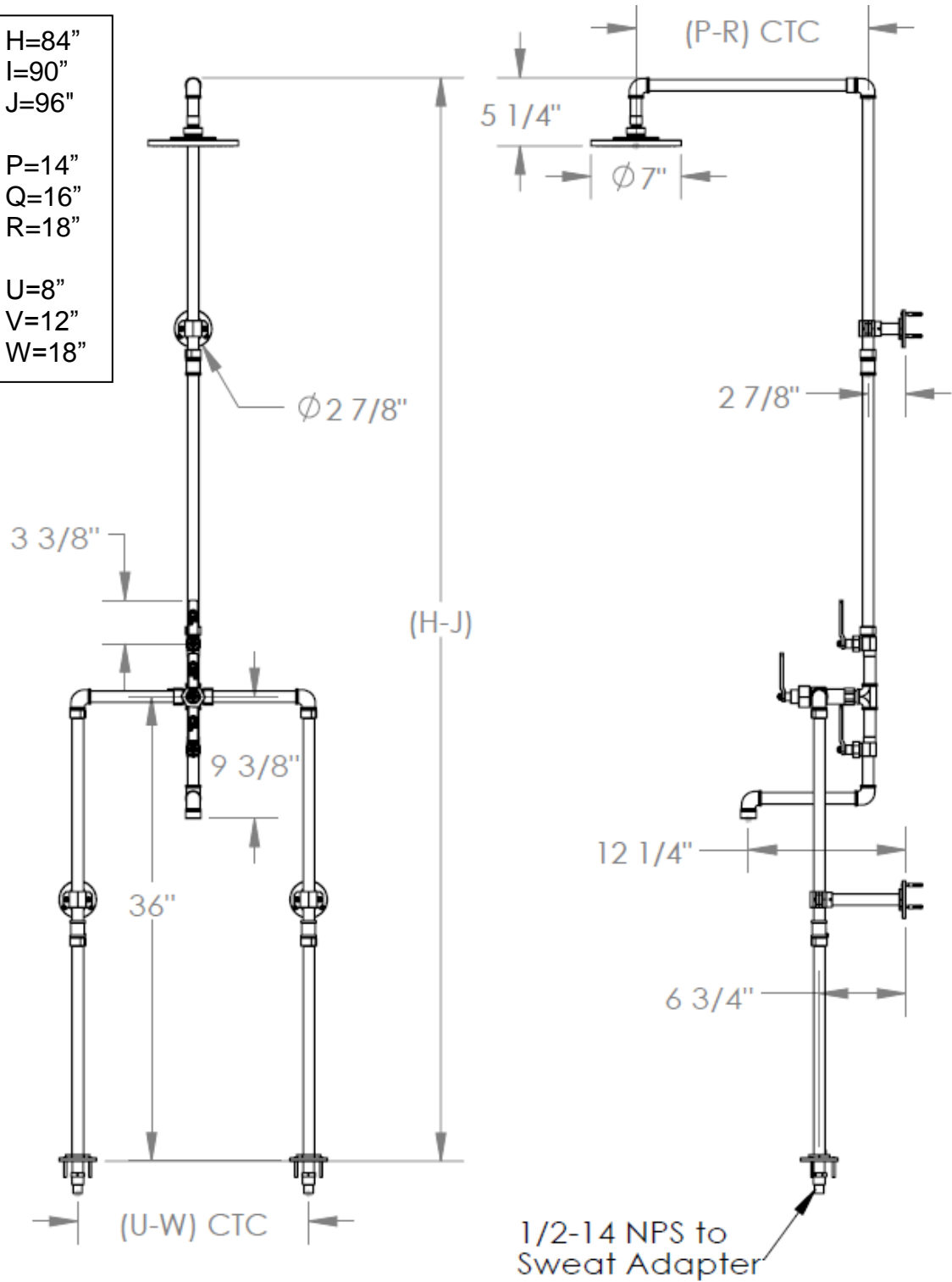
**WATERMARK DESIGNS 11/17/2014**

350 Dewitt Ave Brooklyn NY 11207 USA T 718 257 2800 F 718 257 2144 info@watermark-designs.com

**38-3.1FLTHRM- - - -EV4**

**Thermostatic Exposed Floor Tub/ Shower System**

- H=84"
- I=90"
- J=96"
  
- P=14"
- Q=16"
- R=18"
  
- U=8"
- V=12"
- W=18"



Meets the applicable requirements of ASME A112.18.1-2005/CSA B125.1-05, entitled "Plumbing Supply Fittings"