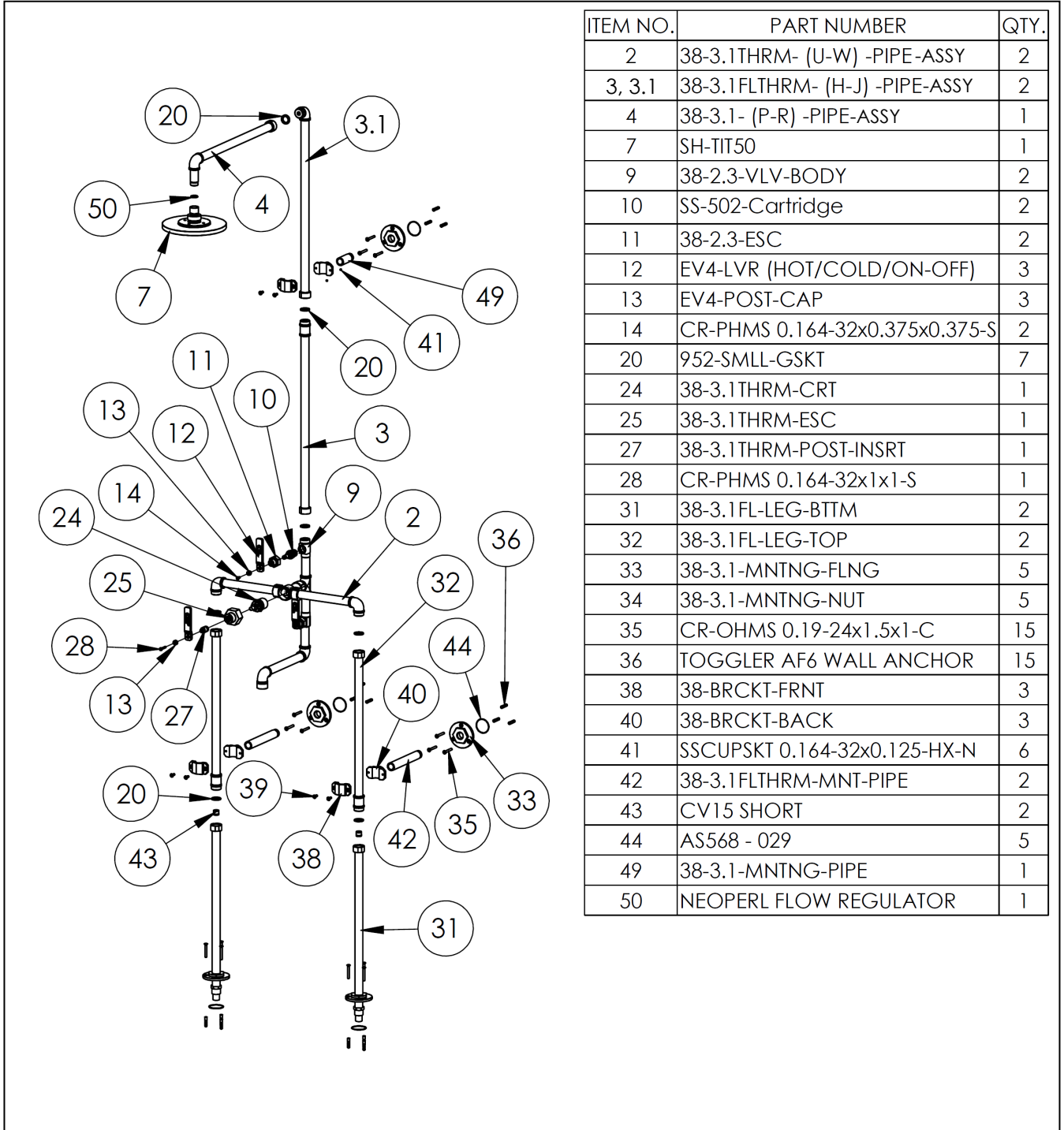
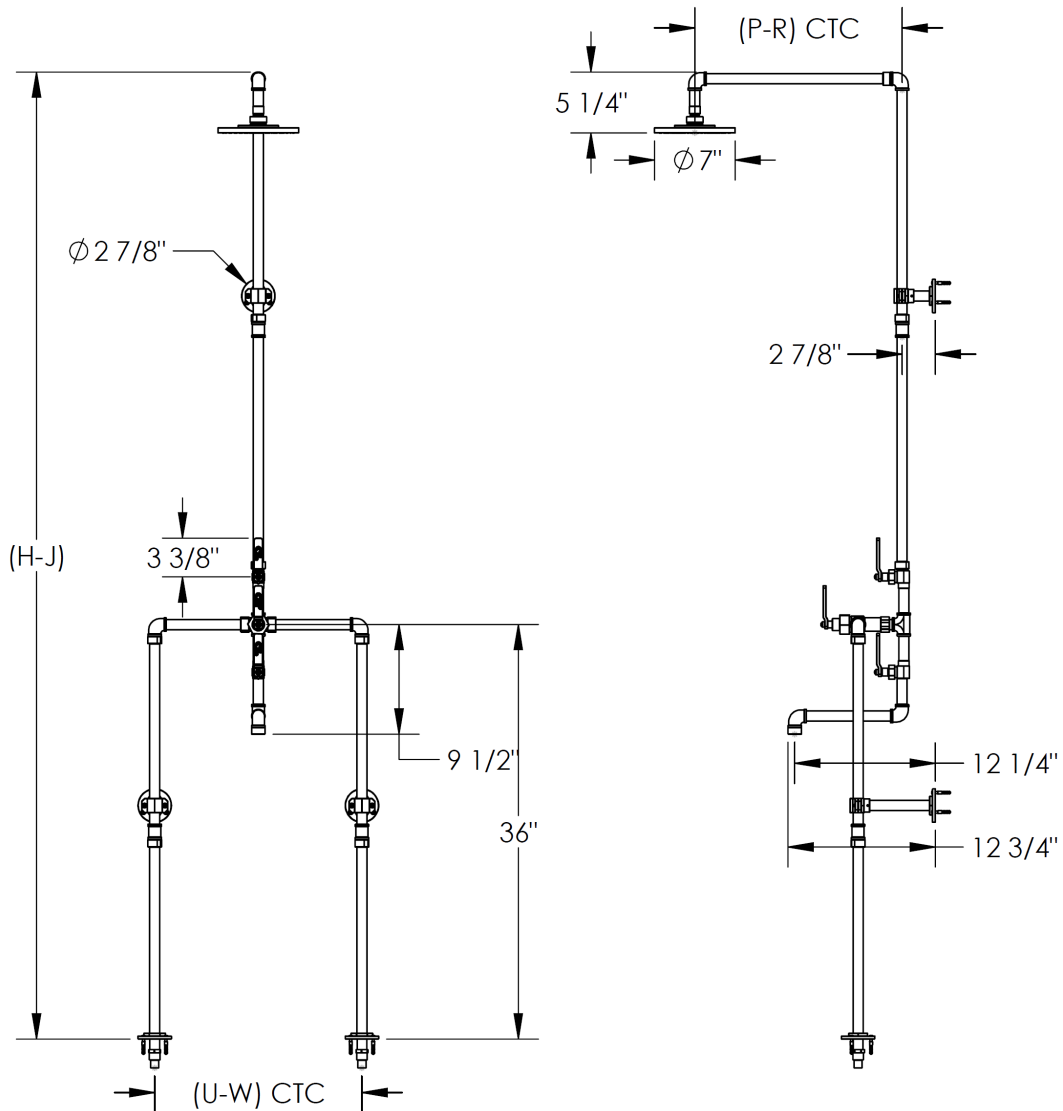


FEATURES

- Shower flow rate: 2 gpm
- Some systems may require a remote pressure balance valve
- Warranty:
 - Limited lifetime warranty (residential use)
 - One year (commercial use)
- Solid Brass Construction
- Standard finishes:
 - polished chrome
 - satin nickel
 - polished nickel
 - rustic brass



ITEM NO.	PART NUMBER	QTY.
2	38-3.1THRM- (U-W) -PIPE-ASSY	2
3, 3.1	38-3.1FLTHRM- (H-J) -PIPE-ASSY	2
4	38-3.1- (P-R) -PIPE-ASSY	1
7	SH-TIT50	1
9	38-2.3-VLV-BODY	2
10	SS-502-Cartridge	2
11	38-2.3-ESC	2
12	EV4-LVR (HOT/COLD/ON-OFF)	3
13	EV4-POST-CAP	3
14	CR-PHMS 0.164-32x0.375x0.375-S	2
20	952-SMLL-GSKT	7
24	38-3.1THRM-CRT	1
25	38-3.1THRM-ESC	1
27	38-3.1THRM-POST-INSRT	1
28	CR-PHMS 0.164-32x1x1-S	1
31	38-3.1FL-LEG-BTTM	2
32	38-3.1FL-LEG-TOP	2
33	38-3.1-MNTNG-FLNG	5
34	38-3.1-MNTNG-NUT	5
35	CR-OHMS 0.19-24x1.5x1-C	15
36	TOGLER AF6 WALL ANCHOR	15
38	38-BRCKT-FRNT	3
40	38-BRCKT-BACK	3
41	SSCUPSKT 0.164-32x0.125-HX-N	6
42	38-3.1FLTHRM-MNT-PIPE	2
43	CV15 SHORT	2
44	AS568 - 029	5
49	38-3.1-MNTNG-PIPE	1
50	NEOPERL FLOW REGULATOR	1



H=84"	P=14"	U=8"
I=90"	Q=16"	V=12"
J=96"	R=18"	W=18"

IMPORTANT INSTALLATION INFORMATION

- USE TEFLON TAPE OR PIPE SEALANT FOR THREADED CONNECTIONS
- DO NOT USE PLUMBER'S PUTTY ON ANY OF THE BRASS COMPONENTS
This will cause the finish to tarnish and void the warranty. A non-corrosive Alkoxy Silicone is recommended.
- DURING SWEATING OF LINES DO NOT OVERHEAT CASTING
Overheating may cause damage to internal mechanism
- COPPER ADAPTORS MAY BE REQUIRED TO COMPLETE YOUR INSTALLATION

For technical support, please call 718-257-2800