

**38-3.1FL-\_-\_-EV4**

**Exposed Floor Tub/ Shower System**

Note: Some building codes may require a remote pressure balance valve for anti-scald, such as the SS-PB50.

- H=84"
- I=90"
- J=96"
  
- O=12"
- P=14"
- Q=16"
- R=18"
  
- U=8"
- V=12"
- W=18"



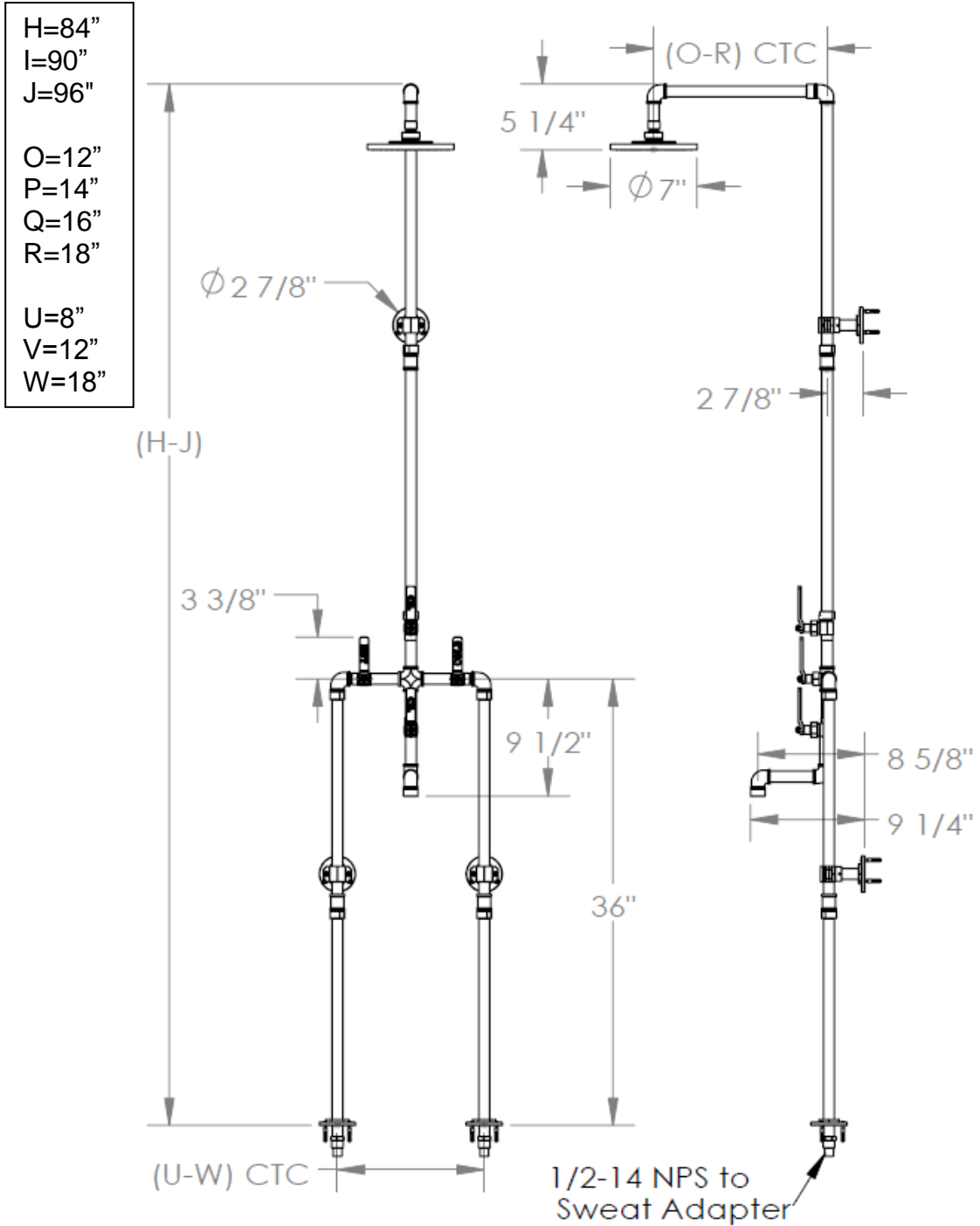
Meets the applicable requirements of ASME A112.18.1-2005/CSA B125.1-05, entitled "Plumbing Supply Fittings"

**WATERMARK DESIGNS 11/14/2014**

**38-3.1FL-\_-\_-EV4**

**Exposed Floor Tub/ Shower System**

Note: Some building codes may require a remote pressure balance valve for anti-scald, such as the SS-PB50.



Meets the applicable requirements of ASME A112.18.1-2005/CSA B125.1-05, entitled "Plumbing Supply Fittings"

**WATERMARK DESIGNS 11/14/2014**

350 Dewitt Ave Brooklyn NY 11207 USA T 718 257 2800 F 718 257 2144 info@watermark-designs.com