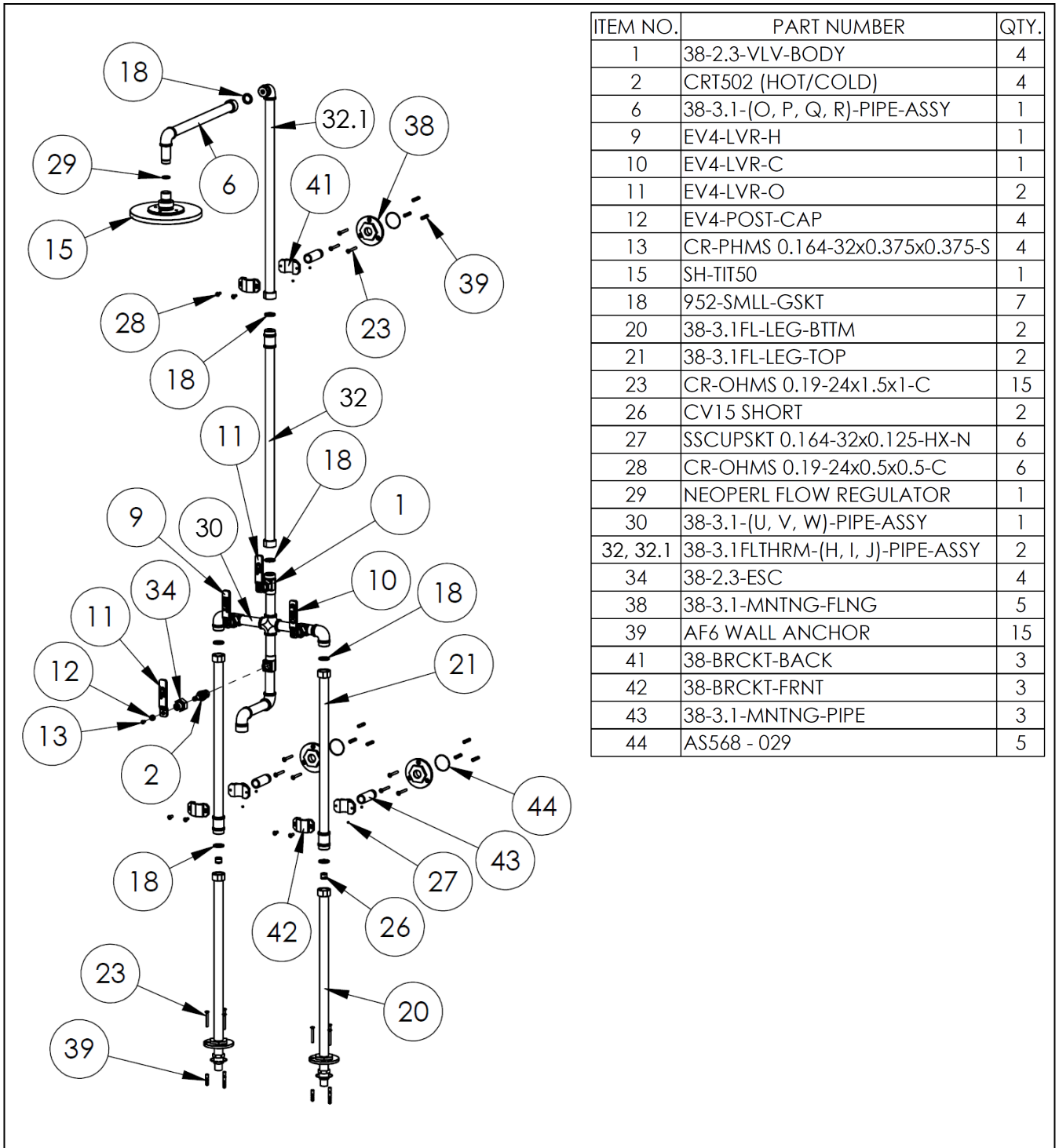
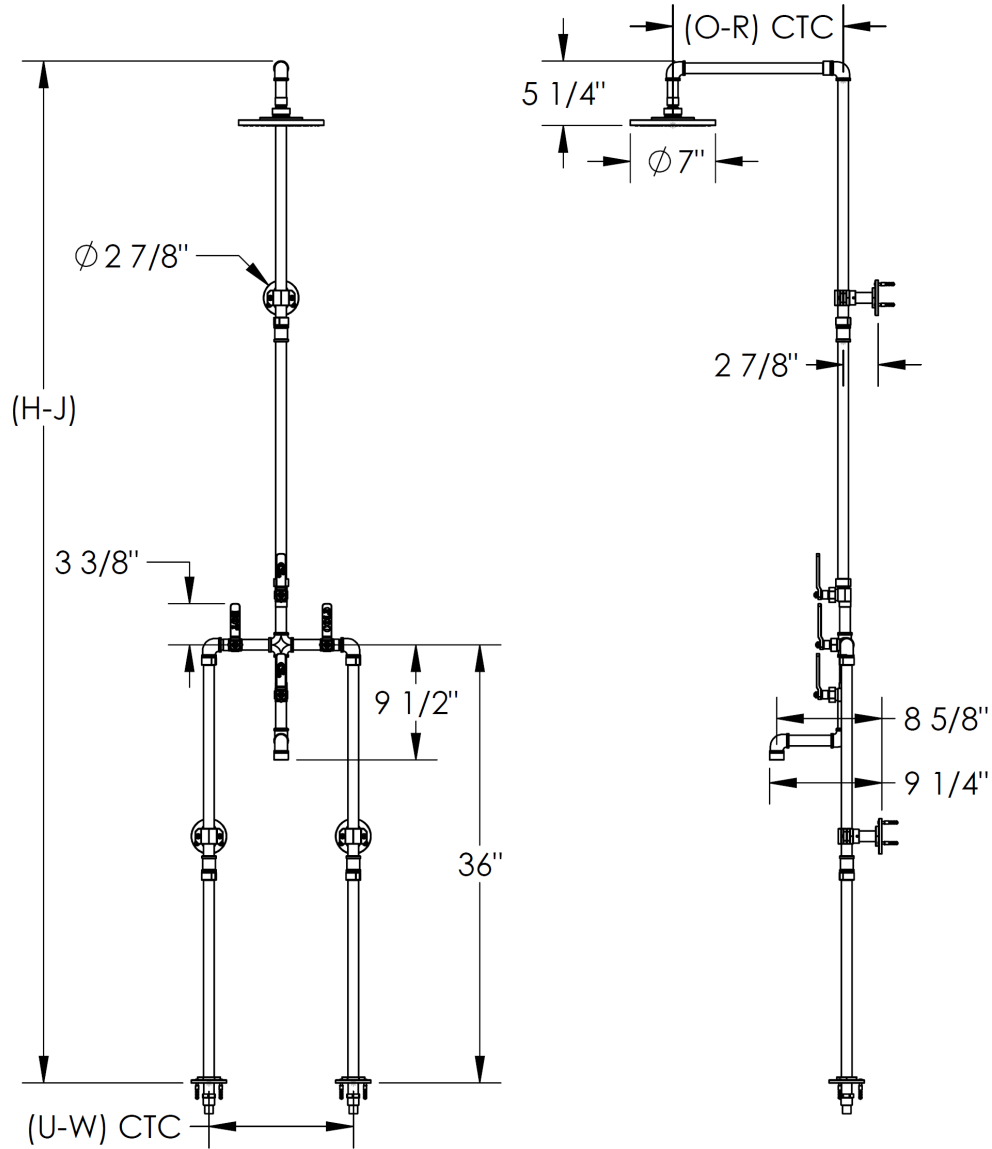


### FEATURES

- Shower flow rate: 2 gpm
- Some systems may require a remote pressure balance valve
- Warranty:
  - Limited lifetime warranty (residential use)
  - One year (commercial use)
- Solid Brass Construction
- Standard finishes:
  - polished chrome
  - satin nickel
  - polished nickel
  - rustic brass



ITEM NO.	PART NUMBER	QTY.
1	38-2.3-VLV-BODY	4
2	CRT502 (HOT/COLD)	4
6	38-3.1-(O, P, Q, R)-PIPE-ASSY	1
9	EV4-LVR-H	1
10	EV4-LVR-C	1
11	EV4-LVR-O	2
12	EV4-POST-CAP	4
13	CR-PHMS 0.164-32x0.375x0.375-S	4
15	SH-TIT50	1
18	952-SMLL-GSKT	7
20	38-3.1FL-LEG-BTMM	2
21	38-3.1FL-LEG-TOP	2
23	CR-OHMS 0.19-24x1.5x1-C	15
26	CV15 SHORT	2
27	SSCUPSKT 0.164-32x0.125-HX-N	6
28	CR-OHMS 0.19-24x0.5x0.5-C	6
29	NEOPERL FLOW REGULATOR	1
30	38-3.1-(U, V, W)-PIPE-ASSY	1
32, 32.1	38-3.1FLTHRM-(H, I, J)-PIPE-ASSY	2
34	38-2.3-ESC	4
38	38-3.1-MNTNG-FLNG	5
39	AF6 WALL ANCHOR	15
41	38-BRCKT-BACK	3
42	38-BRCKT-FRNT	3
43	38-3.1-MNTNG-PIPE	3
44	AS568 - 029	5



H=84"  
I=90"  
J=96"

O=12"  
P=14"  
Q=16"  
R=18"

U=8"  
V=12"  
W=18"

### IMPORTANT INSTALLATION INFORMATION

- USE TEFLON TAPE OR PIPE SEALANT FOR THREADED CONNECTIONS
- DO NOT USE PLUMBER'S PUTTY ON ANY OF THE BRASS COMPONENTS  
This will cause the finish to tarnish and void the warranty. A non-corrosive Alkoxy Silicone is recommended.
- DURING SWEATING OF LINES DO NOT OVERHEAT CASTING  
Overheating may cause damage to internal mechanism
- COPPER ADAPTORS MAY BE REQUIRED TO COMPLETE YOUR INSTALLATION

**For technical support, please call 718-257-2800**