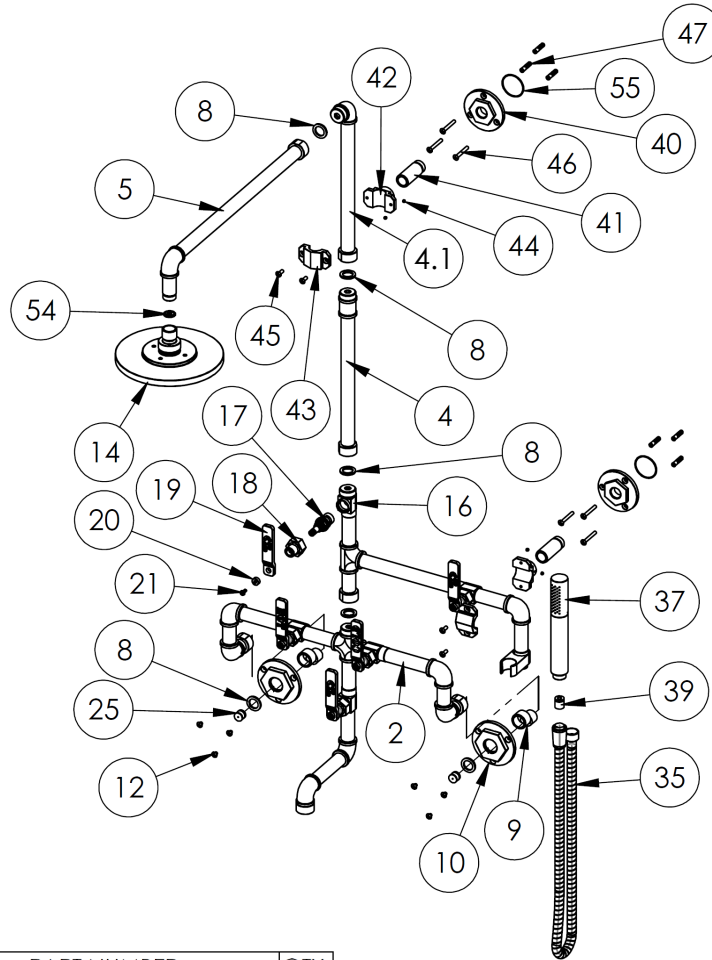


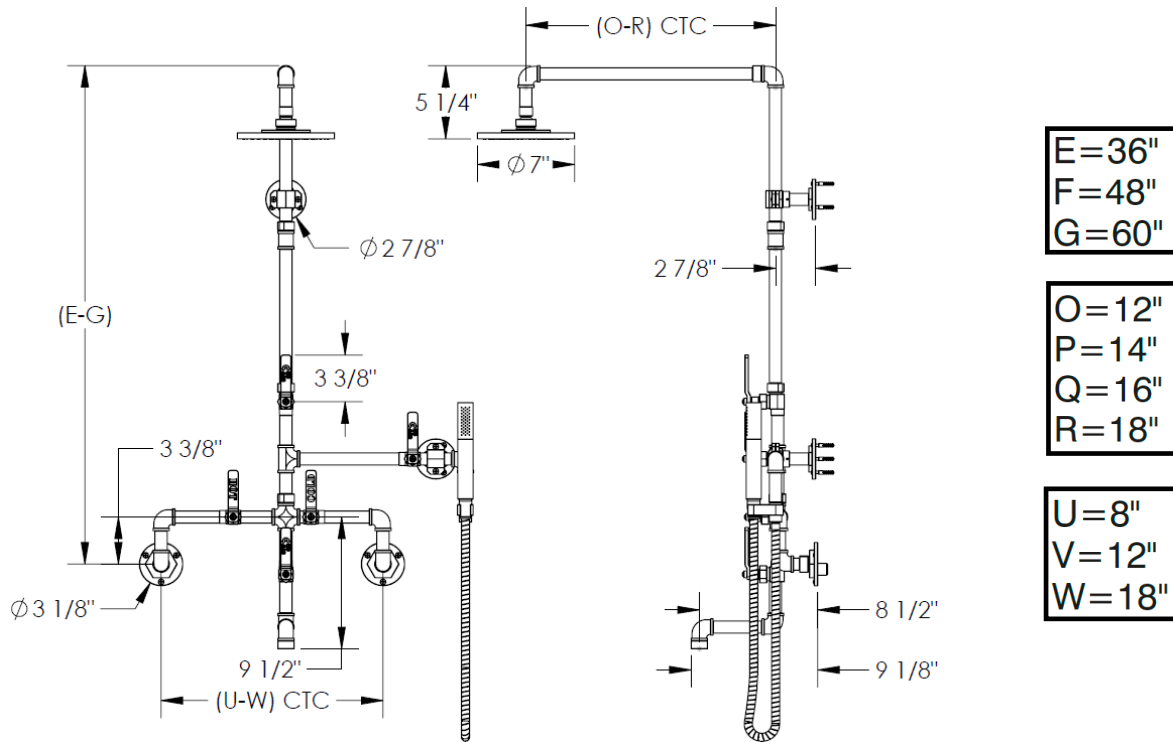
FEATURES

- Shower flow rate: 2 gpm
- Some systems may require a remote pressure balance valve
- Warranty:
 - Limited lifetime warranty (residential use)
 - One year (commercial use)
- Solid Brass Construction
- Standard finishes:
 - polished chrome
 - satin nickel
 - polished nickel
 - rustic brass

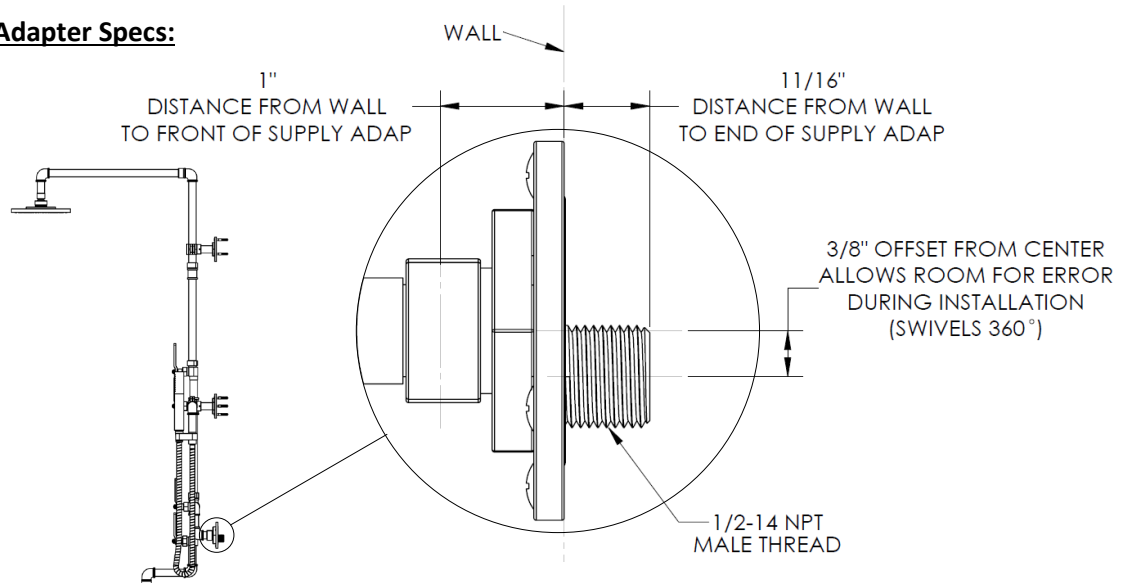


ITEM NO.	PART NUMBER	QTY.
2	38-3.1- (U-W) -PIPE	2
4, 4.1	38-3.91THRM- (E-G) -PIPE	2
5	38-3.1- (O-R) -PIPE	1
8	952-SMLL-GSKT	6
9	38-2.25-SPPLY-ADAP	2
10	38-2.25-FLNG	2
11	AS568 - 034	2
12	CR-OHMS 0.19-24x0.25x0.25-S	6
14	SH-TIT50	1
16	38-2.3-VLV-BODY	5
17	SS-502-CARTRIDGE	5
18	38-2.3-ESC	5
19	EV4-LVR (HOT/COLD/ON-OFF)	5
20	EV4-POST-CAP	5
21	CR-PHMS 0.164-32x0.375x0.375-S	5

ITEM NO.	PART NUMBER	QTY.
25	CV15 SHORT	2
35	DS-4079 HAND SHOWER HOSE	1
37	SH-TIT30	1
39	NEOPERL FLOW RESTRICTOR	1
40	38-3.1-MNTNG-FLNG	2
41	38-3.1-MNTNG-PIPE	2
42	38-BRCKT-BACK	2
43	38-BRCKT-FRNT	2
44	SSCUPSKT 0.164-32x0.125-HX-N	4
45	CR-OHMS 0.19-24x0.5x0.5-C	4
46	CR-OHMS 0.19-24x1.5x1-C	6
47	TOGGLER AF6 WALL ANCHOR	6
54	NEOPERL FLOW REGULATOR	1
55	AS568 - 029	2



Supply Adapter Specs:



IMPORTANT INSTALLATION INFORMATION

- USE TEFLON TAPE OR PIPE SEALANT FOR THREADED CONNECTIONS
- DO NOT USE PLUMBER'S PUTTY ON ANY OF THE BRASS COMPONENTS
This will cause the finish to tarnish and void the warranty. A non-corrosive Alkoxy Silicone is recommended.
- DURING SWEATING OF LINES DO NOT OVERHEAT CASTING
Overheating may cause damage to internal mechanism
- COPPER ADAPTORS MAY BE REQUIRED TO COMPLETE YOUR INSTALLATION

For technical support, please call 718-257-2800