

38-3.1- _ _ _ -EV4

Exposed Wall Tub/ Shower System

Note: Some building codes may require a remote pressure balance valve for anti-scald, such as the SS-PB50

E=36"
F=48"
G=60"

O=12"
P=14"
Q=16"
R=18"

U=8"
V=12"
W=18"



Meets the applicable requirements of ASME A112.18.1-2005/CSA B125.1-05, entitled "Plumbing Supply Fittings"

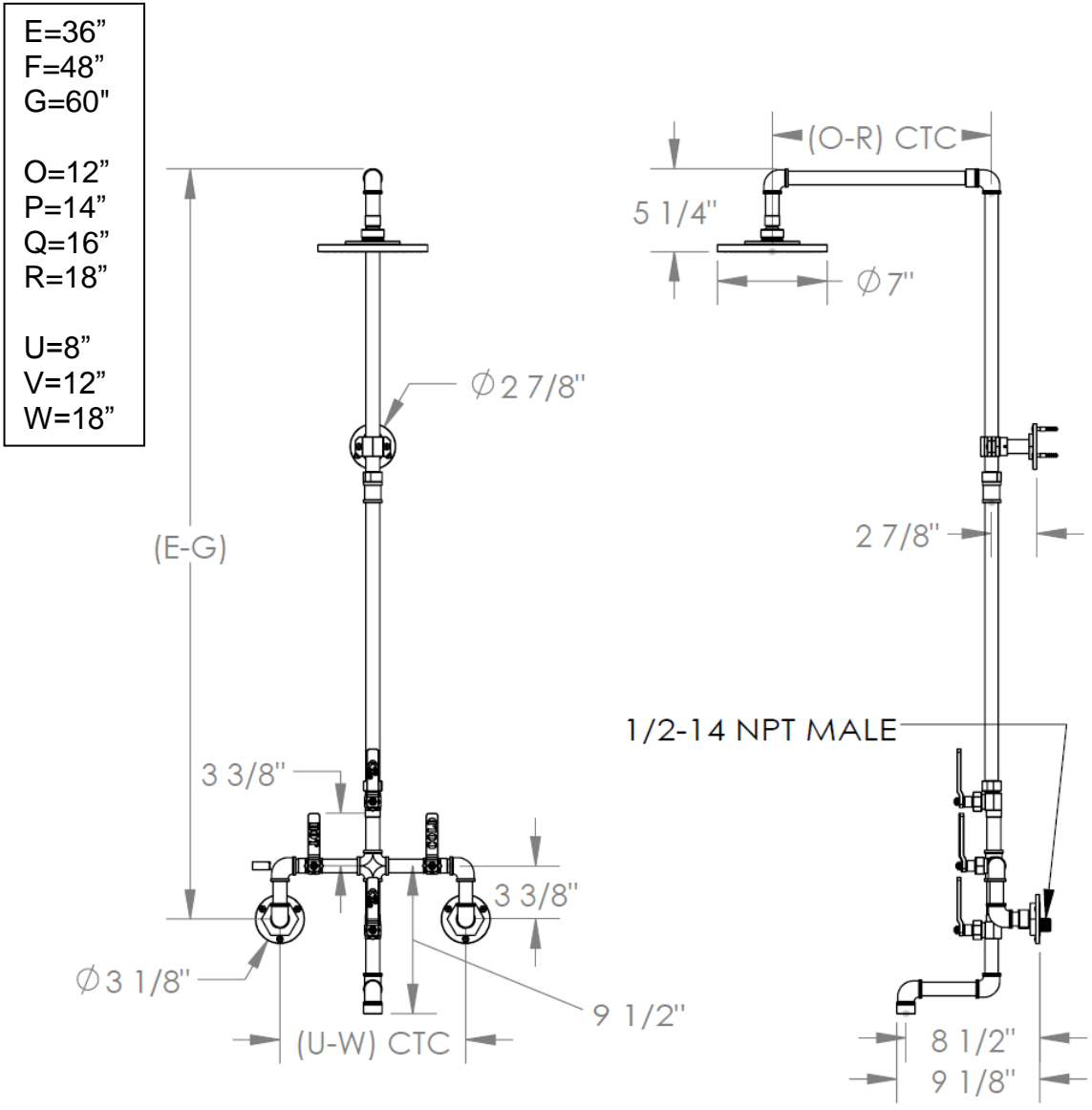
WATERMARK DESIGNS 11/14/2014

350 Dewitt Ave Brooklyn NY 11207 USA T 718 257 2800 F 718 257 2144 info@watermark-designs.com

38-3.1- _ _ _ -EV4

Exposed Wall Tub/ Shower System

Note: Some building codes may require a remote pressure balance valve for anti-scald, such as the SS-PB50



Meets the applicable requirements of ASME A112.18.1-2005/CSA B125.1-05, entitled "Plumbing Supply Fittings"