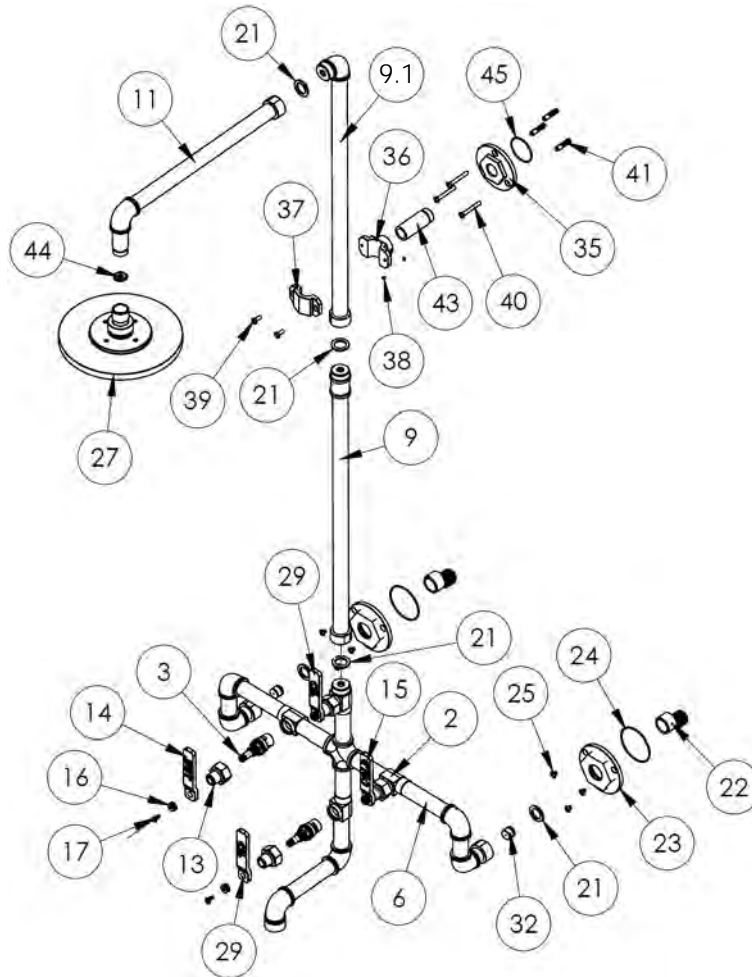


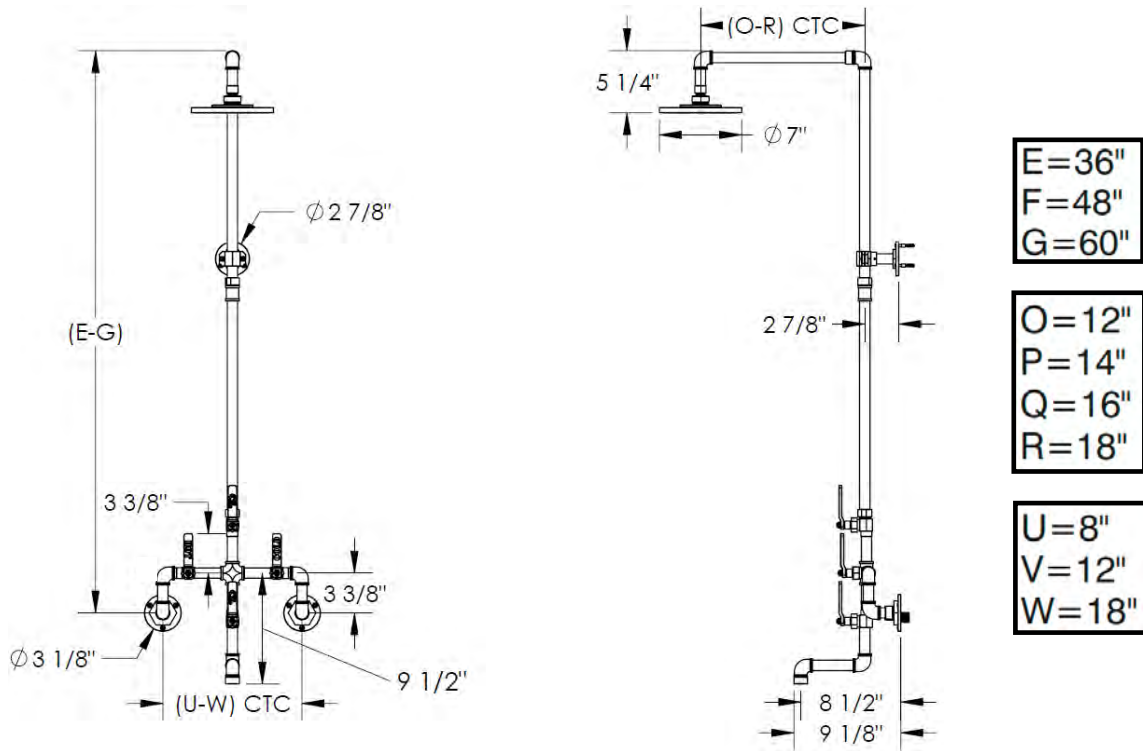
FEATURES

- Shower flow rate: 2 gpm
- Some systems may require a remote pressure balance valve
- Warranty:
 - Limited lifetime warranty (residential use)
 - One year (commercial use)
- Solid Brass Construction
- Standard finishes:
 - polished chrome
 - satin nickel
 - polished nickel
 - rustic brass

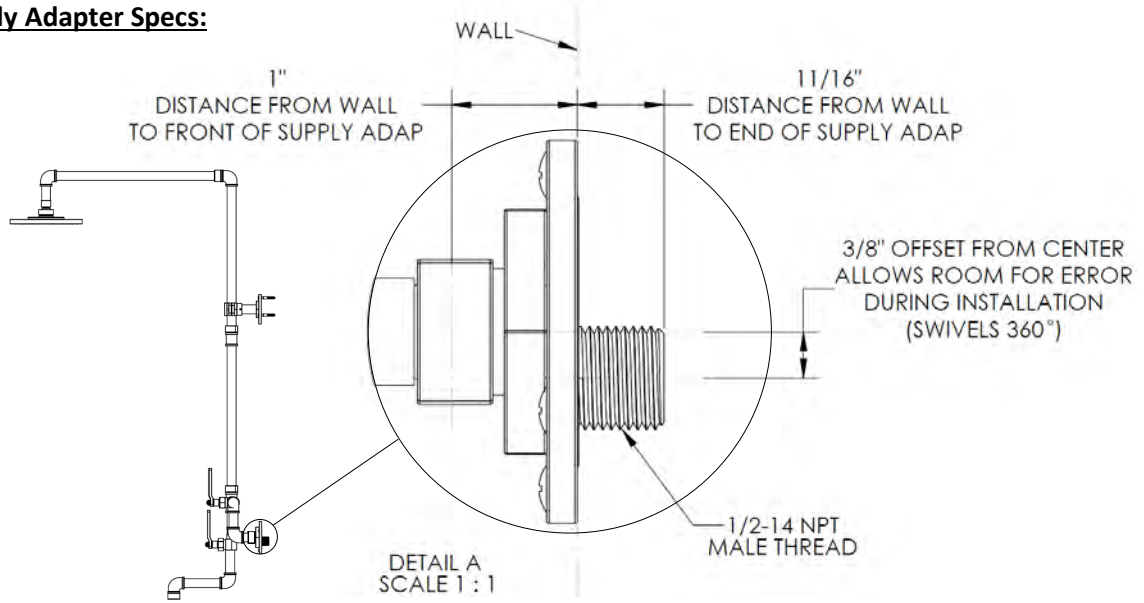


ITEM NO.	PART NUMBER	QTY.
2	38-2.3-VLV-BODY	4
3	CRT502 (HOT/COLD)	4
6	38-3.1-(U, V, W)-PIPE-ASSY	1
9, 9.1	38-3.1-(E, F, G)-PIPE-ASSY	2
11	38-3.1-(O, P, Q, R)-PIPE-ASSY	1
13	38-2.3-ESC	4
14	EV4-LVR-H	1
15	EV4-LVR-C	1
16	EV4-POST-CAP	4
17	CR-PHMS 0.164-32x0.375x0.375-S	4
21	952-SMLL-GSKT	5
22	38-2.25-SPPLY-ADAP	2
23	38-2.25-FLNG	2
24	AS568 - 034	2

ITEM NO.	PART NUMBER	QTY.
25	CR-OHMS 0.19-24x0.25x0.25-S	6
27	SH-TIT50	1
29	EV4-LVR-O	2
32	CV15 SHORT	2
35	38-3.1-MNTNG-FLNG	1
36	38-BRCKT-BACK	1
37	38-BRCKT-FRNT	1
38	SSCUPSKT 0.164-32x0.125-HX-N	2
39	CR-OHMS 0.19-24x0.5x0.5-C	2
40	CR-OHMS 0.19-24x1.5x1-C	3
41	AF6 WALL ANCHOR	3
43	38-3.1-MNTNG-PIPE	1
44	NEOPERL FLOW REGULATOR	1
45	AS568 - 029	1



Supply Adapter Specs:



IMPORTANT INSTALLATION INFORMATION

- USE TEFLON TAPE OR PIPE SEALANT FOR THREADED CONNECTIONS
- DO NOT USE PLUMBER'S PUTTY ON ANY OF THE BRASS COMPONENTS
This will cause the finish to tarnish and void the warranty. A non-corrosive Alkoxy Silicone is recommended.
- DURING SWEATING OF LINES DO NOT OVERHEAT CASTING
Overheating may cause damage to internal mechanism
- COPPER ADAPTORS MAY BE REQUIRED TO COMPLETE YOUR INSTALLATION

For technical support, please call 718-257-2800