

**38-3.91THRM-\_\_-\_\_-\_\_-EV4**

**Exposed Wall Thermostatic Tub/Shower/Hand Shower System**

E=36"  
F=48"  
G=60"  
  
P=14"  
Q=16"  
R=18"  
  
U=8"  
V=12"  
W=18"



Meets the applicable requirements of ASME A112.18.1-2005/CSA B125.1-05, entitled "Plumbing Supply Fittings"

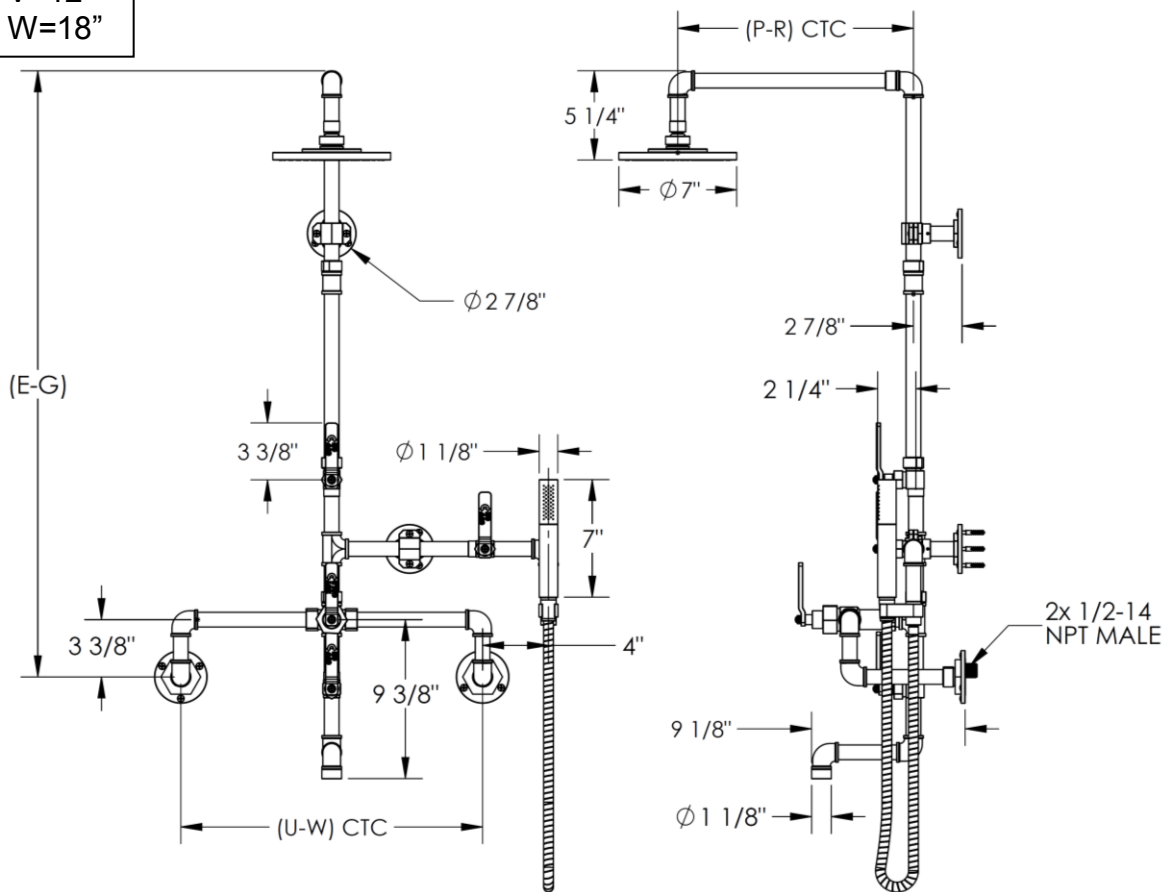
**WATERMARK DESIGNS 11/26/2014**

350 Dewitt Ave Brooklyn NY 11207 USA T 718 257 2800 F 718 257 2144 info@watermark-designs.com

**38-3.91THRM-\_\_-\_\_-\_\_-EV4**

**Exposed Wall Thermostatic Tub/Shower/Hand Shower System**

E=36"  
 F=48"  
 G=60"  
  
 P=14"  
 Q=16"  
 R=18"  
  
 U=8"  
 V=12"  
 W=18"



Meets the applicable requirements of ASME A112.18.1-2005/CSA B125.1-05, entitled "Plumbing Supply Fittings"

**WATERMARK DESIGNS 11/26/2014**

350 Dewitt Ave Brooklyn NY 11207 USA T 718 257 2800 F 718 257 2144 info@watermark-designs.com