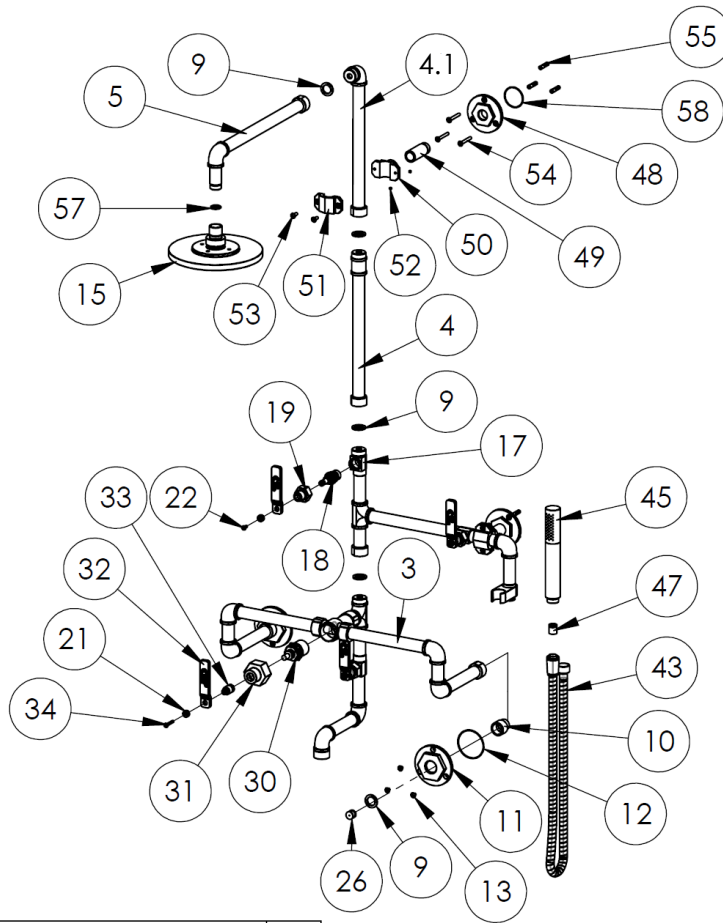


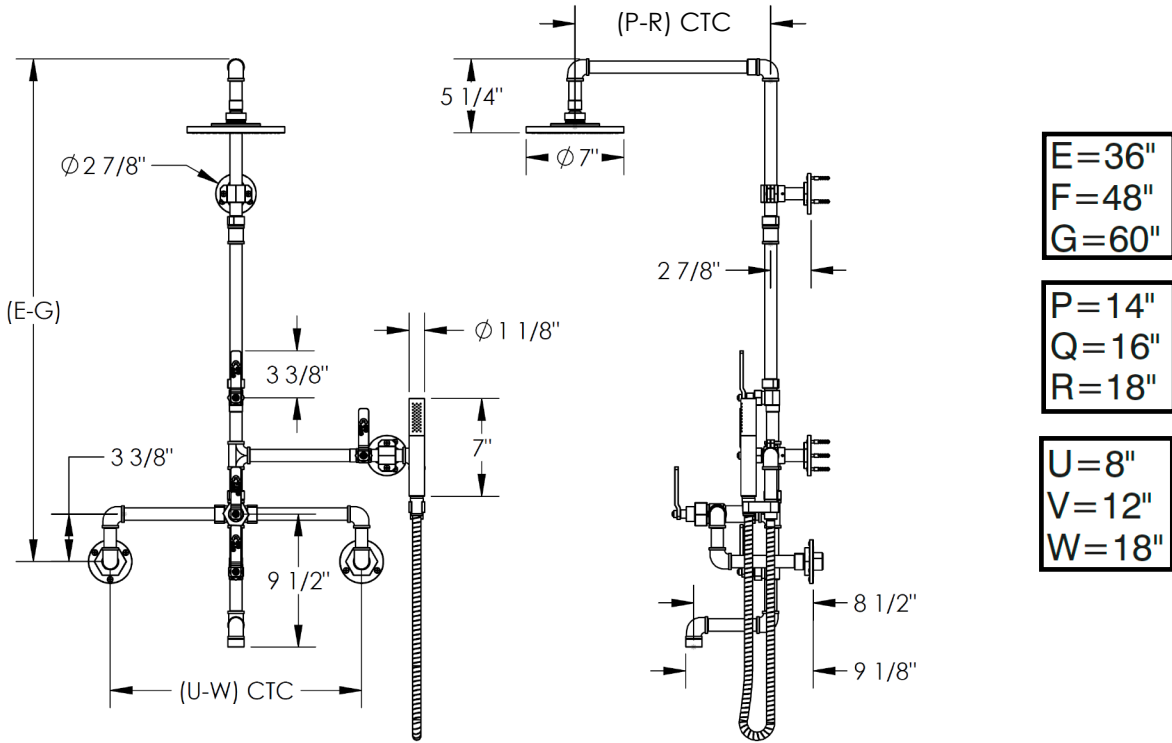
FEATURES

- Shower flow rate: 2 gpm
- Some systems may require a remote pressure balance valve
- Warranty:
 - Limited lifetime warranty (residential use)
 - One year (commercial use)
- Solid Brass Construction
- Standard finishes:
 - polished chrome
 - satin nickel
 - polished nickel
 - rustic brass

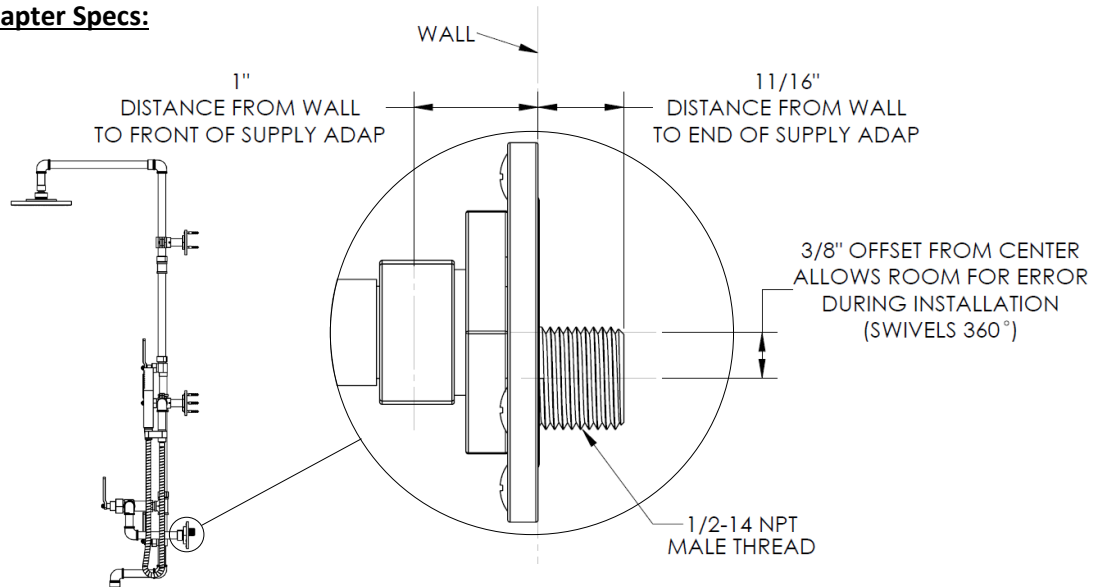


ITEM NO.	PART NUMBER	QTY.
3	38-3.1THRM- (U-W) -PIPE	2
4, 4.1	38-3.91THRM- (E-G) -PIPE	2
5	38-3.1- (P-R) -PIPE	1
9	952-SMLL-GSKT	6
10	38-2.25-SPPLY-ADAP	2
11	38-2.25-FLNG	2
12	AS568 - 034	2
13	CR-OHMS 0.19-24x0.25x0.25-S	6
15	SH-TIT50	1
17	38-2.3-VLV-BODY	3
18	SS-502-CARTRIDGE	3
19	38-2.3-ESC	3
21	EV4-POST-CAP	4
22	CR-PHMS 0.164-32x0.375x0.375-S	3
26	CV15 SHORT	2
30	38-3.1THRM-CRT	1
31	38-3.1THRM-ESC	1

ITEM NO.	PART NUMBER	QTY.
32	EV4-LVR (HOT/COLD/ON-OFF)	4
33	38-3.1THRM-POST-INSRT	1
34	CR-PHMS 0.164-32x1x1-S	1
43	DS-4079 HAND SHOWER HOSE	1
45	SH-TIT30	1
47	NEOPERL FLOW RESTRICTOR	1
48	38-3.1-MNTNG-FLNG	2
49	38-3.1-MNTNG-PIPE	2
50	38-BRCKT-BACK	2
51	38-BRCKT-FRNT	2
52	SSCUPSKT 0.164-32x0.125-HX-N	4
53	CR-OHMS 0.19-24x0.5x0.5-C	4
54	CR-OHMS 0.19-24x1.5x1-C	6
55	TOGGLER AF6 WALL ANCHOR	6
57	NEOPERL FLOW REGULATOR	1
58	AS568 - 029	2



Supply Adapter Specs:



IMPORTANT INSTALLATION INFORMATION

- USE TEFLON TAPE OR PIPE SEALANT FOR THREADED CONNECTIONS
- DO NOT USE PLUMBER'S PUTTY ON ANY OF THE BRASS COMPONENTS
This will cause the finish to tarnish and void the warranty. A non-corrosive Alkoxy Silicone is recommended.
- DURING SWEATING OF LINES DO NOT OVERHEAT CASTING
Overheating may cause damage to internal mechanism
- COPPER ADAPTORS MAY BE REQUIRED TO COMPLETE YOUR INSTALLATION

For technical support, please call 718-257-2800