

**38-6.71- \_ \_ \_ -EV4**

**Wall Mounted Exposed Shower Set with Hand Shower**

Note: Some building codes may require a remote pressure balance valve for anti-scald, such as the SS-PB50.

E=36"  
F=48"  
G=60"

O=12"  
P=14"  
Q=16"  
R=18"

U=8"  
V=12"  
W=18"



Meets the applicable requirements of ASME A112.18.1-2005/CSA B125.1-05, entitled "Plumbing Supply Fittings"

**WATERMARK DESIGNS 12/1/2014**

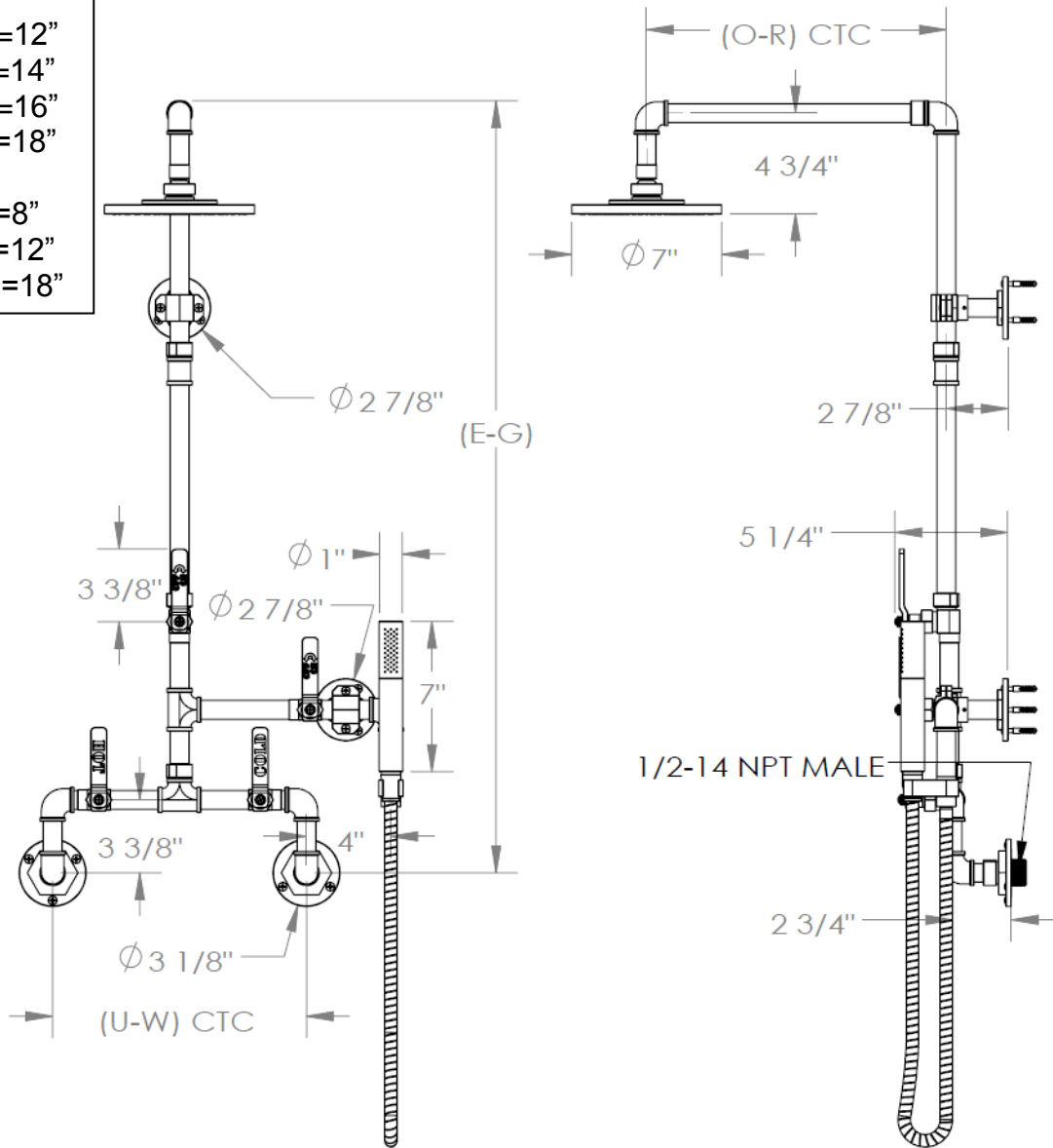
350 Dewitt Ave Brooklyn NY 11207 USA T 718 257 2800 F 718 257 2144 info@watermark-designs.com

**38-6.71- - - -EV4**

**Wall Mounted Exposed Shower Set with Hand Shower**

Note: Some building codes may require a remote pressure balance valve for anti-scald, such as the SS-PB50.

- E=36"
- F=48"
- G=60"
  
- O=12"
- P=14"
- Q=16"
- R=18"
  
- U=8"
- V=12"
- W=18"



Meets the applicable requirements of ASME A112.18.1-2005/CSA B125.1-05, entitled "Plumbing Supply Fittings"