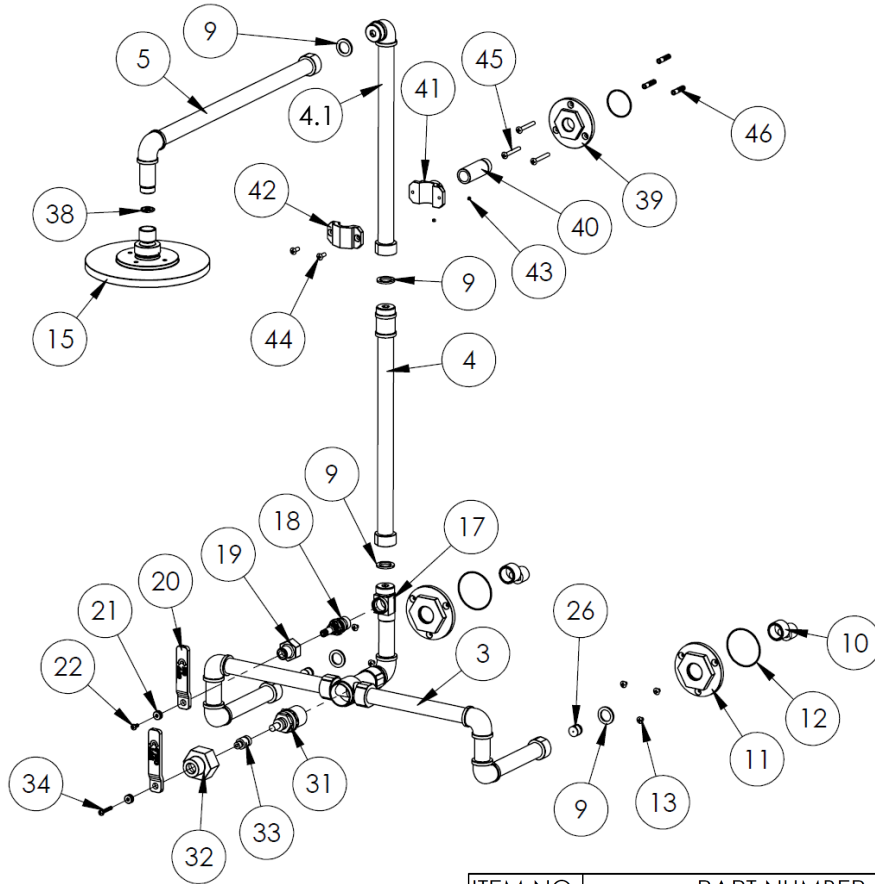


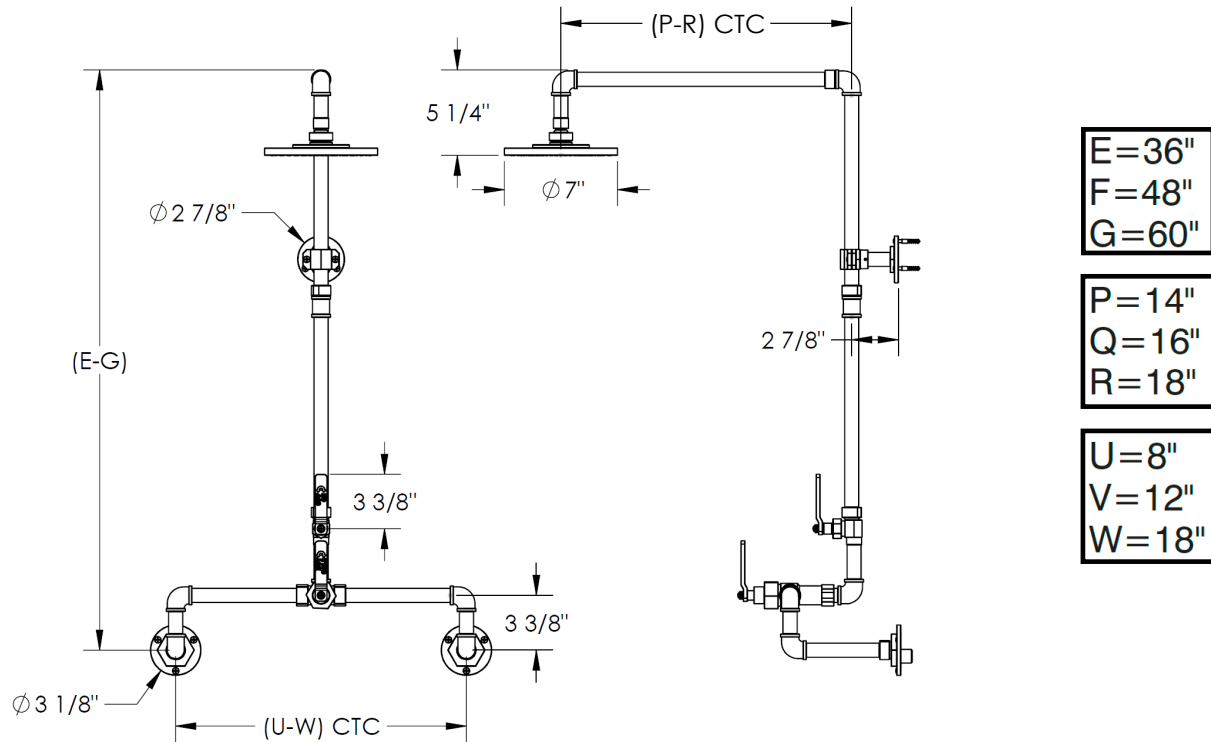
### FEATURES

- Shower flow rate: 2 gpm
- Some systems may require a remote pressure balance valve
- Warranty:
  - Limited lifetime warranty (residential use)
  - One year (commercial use)
- Solid Brass Construction
- Standard finishes:
  - polished chrome
  - satin nickel
  - polished nickel
  - rustic brass

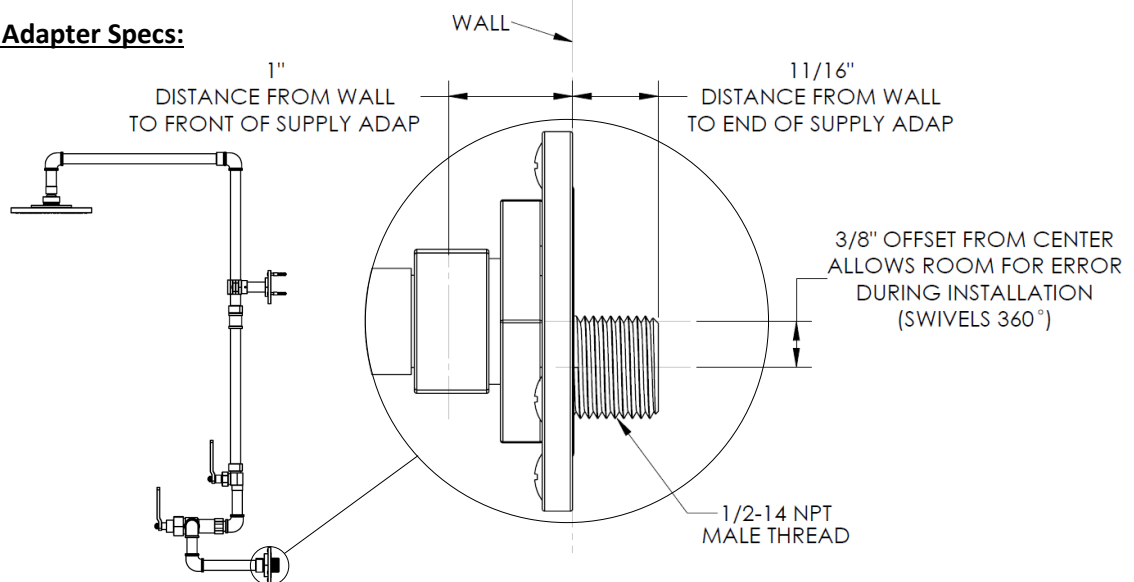


ITEM NO.	PART NUMBER	QTY.
3	38-3.1THRM- (U-W) -PIPE	2
4, 4.1	38-3.1THRM- (E-G) -PIPE	2
5	38-3.1- (P-R) -PIPE	1
9	952-SMLL-GSKT	5
10	38-2.25-SPPLY-ADAP	2
11	38-2.25-FLNG	2
12	AS568 - 034	2
13	CR-OHMS 0.19-24x0.25x0.25-S	6
15	SH-TIT50	1
17	38-2.3-VLV-BODY	1
18	SS-502-CARTRIDGE	1
19	38-2.3-ESC	1
20	EV4-LVR (HOT/COLD/ON-OFF)	2
21	EV4-POST-CAP	2
22	CR-PHMS 0.164-32x0.375x0.375-S	1

ITEM NO.	PART NUMBER	QTY.
26	CV15 SHORT	2
31	38-3.1THRM-CRT	1
32	38-3.1THRM-ESC	1
33	38-3.1THRM-POST-INSRT	1
34	CR-PHMS 0.164-32x1x1-S	1
38	NEOPERL FLOW REGULATOR	1
39	38-3.1-MNTNG-FLNG	1
40	38-3.1-MNTNG-PIPE	1
41	38-BRCKT-BACK	1
42	38-BRCKT-FRNT	1
43	SSCUPSKT 0.164-32x0.125-HX-N	2
44	CR-OHMS 0.19-24x0.5x0.5-C	2
45	CR-OHMS 0.19-24x1.5x1-C	3
46	TOGLER AF6 WALL ANCHOR	3
48	38-3.1-MNTNG-NUT	1
49	AS568 - 029	1



**Supply Adapter Specs:**



**IMPORTANT INSTALLATION INFORMATION**

- USE TEFLON TAPE OR PIPE SEALANT FOR THREADED CONNECTIONS
- DO NOT USE PLUMBER'S PUTTY ON ANY OF THE BRASS COMPONENTS  
This will cause the finish to tarnish and void the warranty. A non-corrosive Alkoxy Silicone is recommended.
- DURING SWEATING OF LINES DO NOT OVERHEAT CASTING  
Overheating may cause damage to internal mechanism
- COPPER ADAPTORS MAY BE REQUIRED TO COMPLETE YOUR INSTALLATION

**For technical support, please call 718-257-2800**