

SUGGESTED TOOLS AND MATERIALS



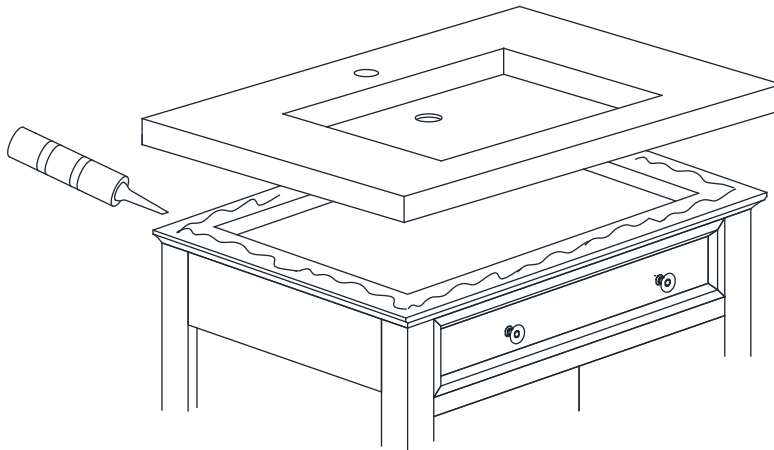
Sealant



Tape Measure

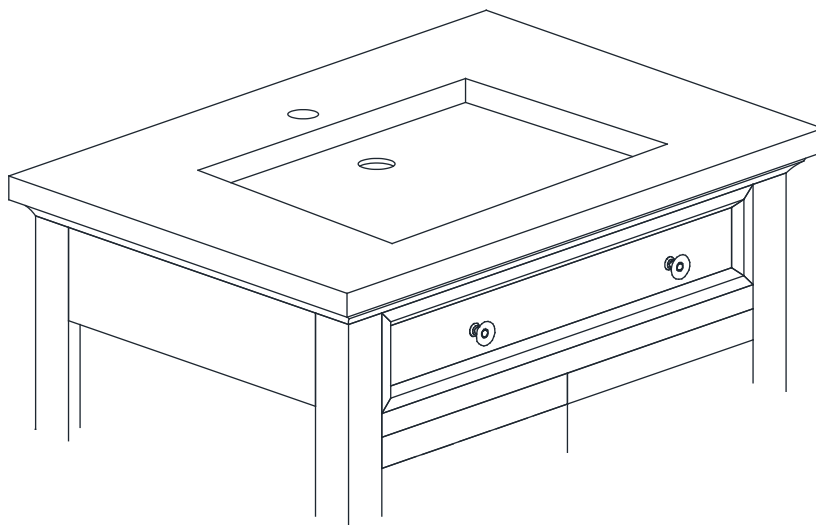
SINK INSTALLATION

1



Apply bead of quality sealant evenly along the top of the vanity.

2



Move the stone top to ensure same edge space on two sides and adjust the leg levelers if need.