

MODEL: 038123
038131
038136

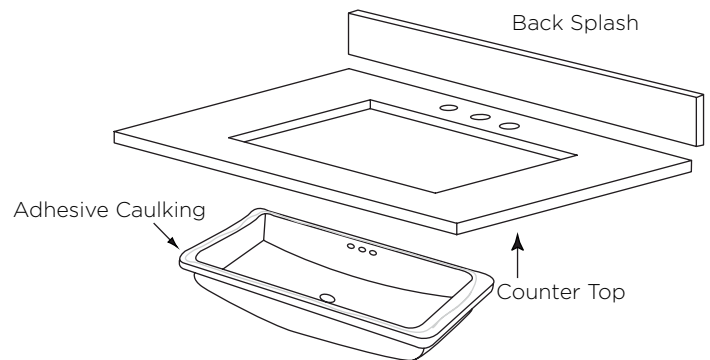
CONTEMPO COLLECTION

NOTE: For installing under counter sink with counter top.

STEP 1: Apply adhesive caulking around the topside of rim near the edge. Carefully raise sink in place, align, and press firmly.

See Figure 1.

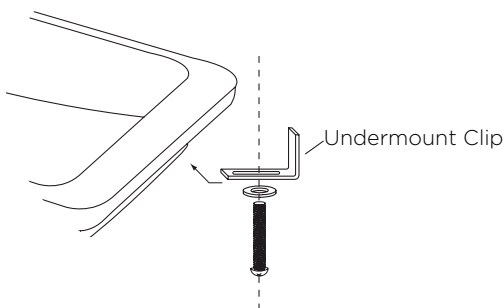
Figure 1.



STEP 2: Attach 4 undermount-clips to hold lavatory in place

See Figure 2.

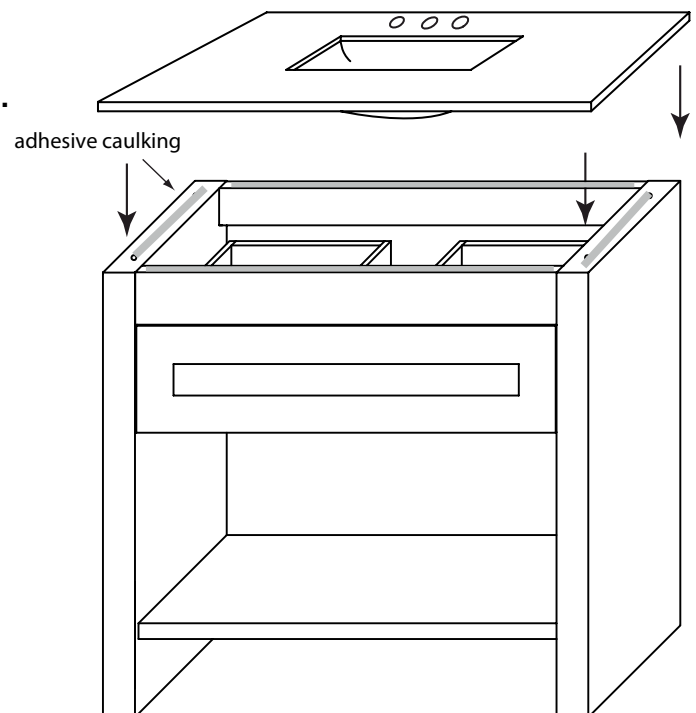
Figure 2.



STEP 3: Secure top & back splash to cabinet by using adhesive caulk

See Figure 3.

Figure 3.



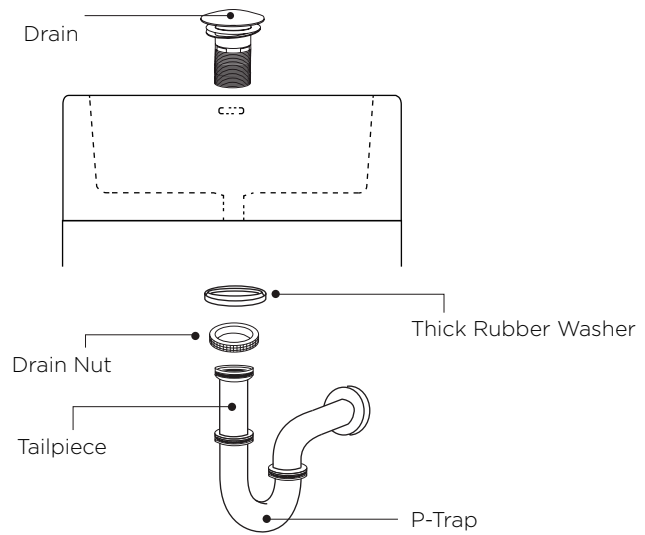
MODEL: 038123
038131
038136

CONTEMPO COLLECTION

STEP 4: Attach p-trap to tailpiece.

See Figure 4.

Figure 4.



MODEL: 038123
038131
038136

CONTEMPO COLLECTION

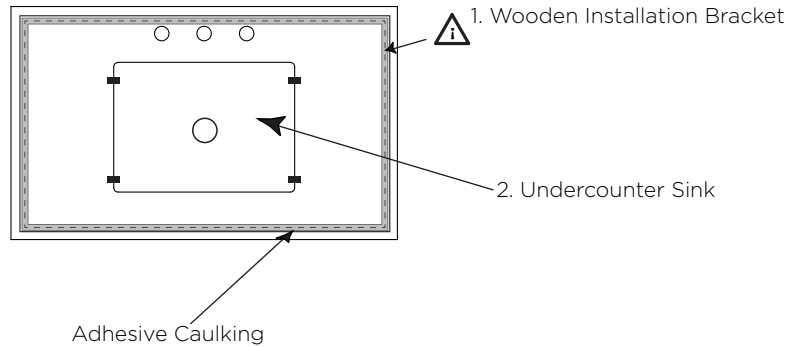
NOTE: For installing under counter sink with WideAppeal Top.

STEP 1: DO NOT DISCARD WOODEN INSTALLATION BRACKET!

- Make sure wooden installation bracket is safely secure
- Install under counter sink by following specific sink installation

See Figure 1.

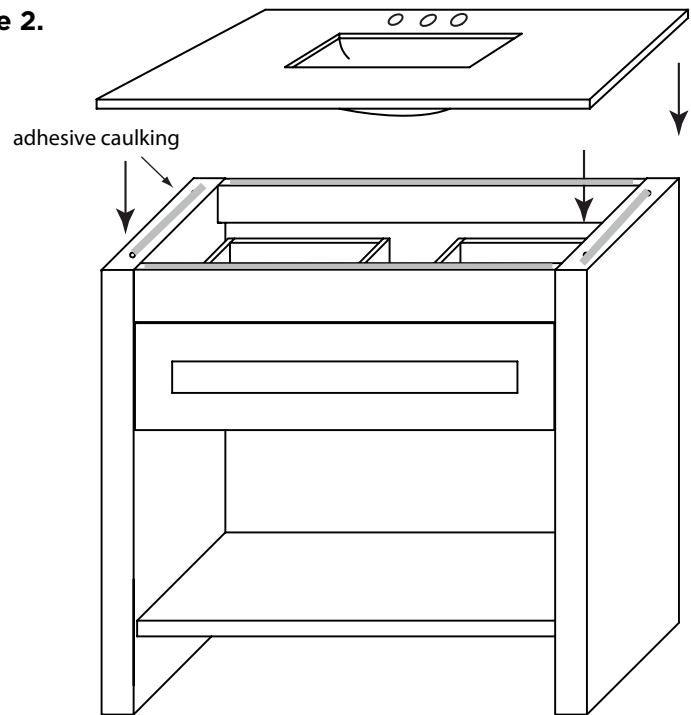
Figure 1.



STEP 2:

- For best results, clean the mounting surfaces with a dry cleaning cloth
- To prevent over flow of adhesive, use masking tape to tape off the edges of the

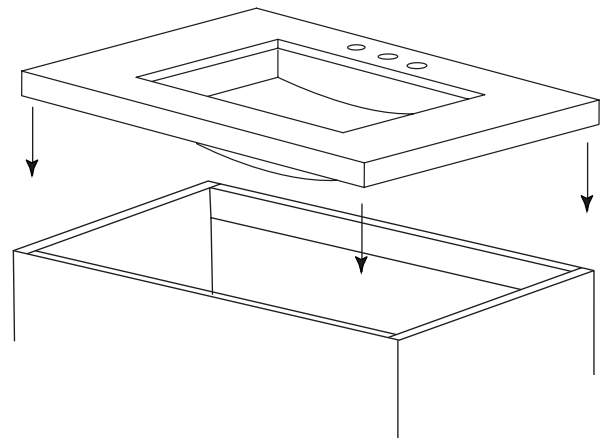
Figure 2.



STEP 3: Apply adhesive on wood bracket and mounting surfaces of the cabinet

See Figure 2.

Figure 3.



STEP 4: Carefully place countertop on to the cabinet, align, and press firmly

See Figure 3.

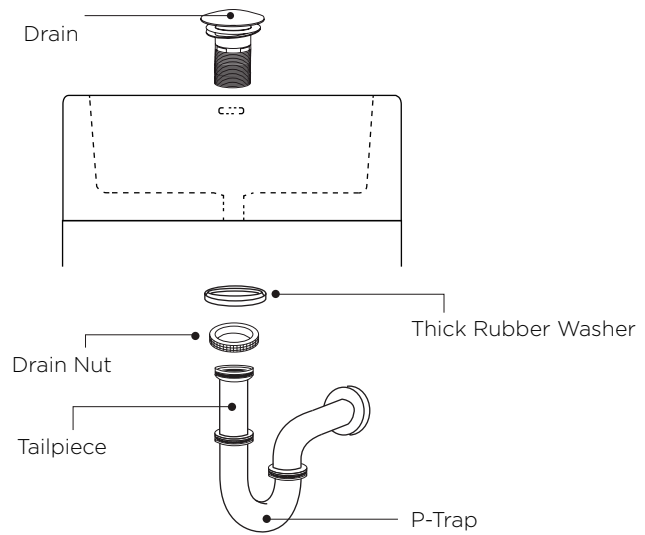
MODEL: 038123
038131
038136

CONTEMPO COLLECTION

STEP 5: Attach p-trap to tailpiece.

See Figure 4.

Figure 4.



MODEL: 038123
038131
038136

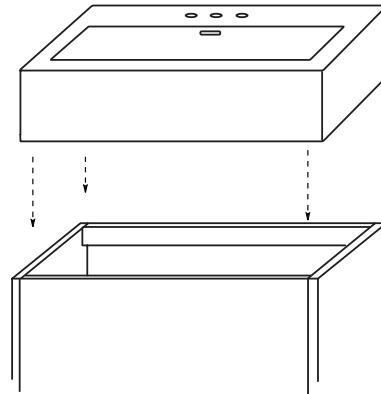
CONTEMPO COLLECTION

NOTE: For installing Ceramic Sinktop.

STEP 1: Place adhesive around top of cabinet.

See Figure 1.

Figure 1.

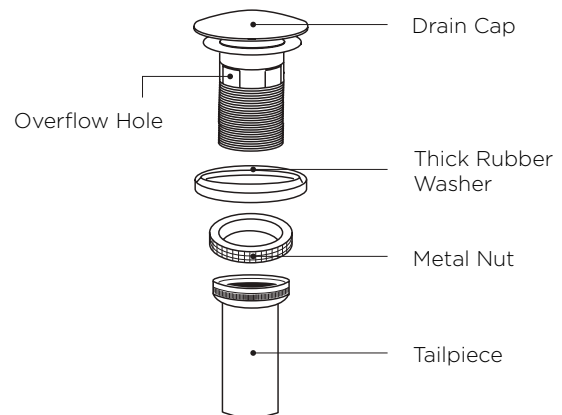


STEP 2: Place a generous portion of plumbers' putty under drain cap and insert whole drain body inside the bowl and through the countertop.

(There may be a small beveled rubber washer packaged with your drain, please discard this and use plumbers' putty instead.)

See Figure 2.

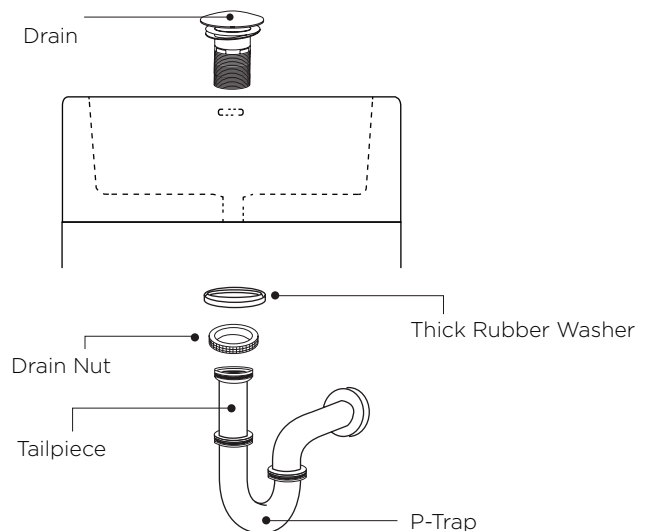
Figure 2.



STEP 3: From under the drain, insert the thick rubber washer and screw on and tighten the metal nut. Remove excess plumbers' putty.

See Figure 3.

Figure 3.



STEP 4: Attach p-trap to tailpiece.