

Model : E073143

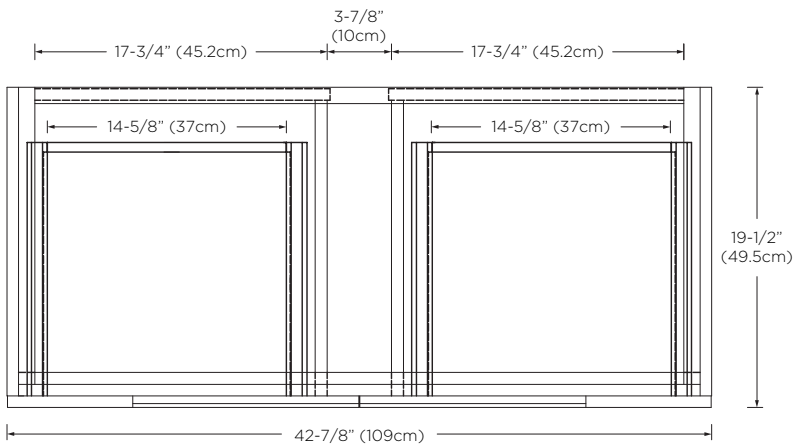
Designed By: **ALEXANDER ZHUKOVSKY** | RUSSIA

- Features :**
- 2 full-extension, soft-close drawers with Hettich brand hardware and clear glass drawer boxes
 - Woven fiber drawer liners
 - Drawer finger pulls
 - Fully finished interiors
 - Solid wood construction (no MDF)
 - Multi-step polyurethane finish resists moisture and scratches
 - Wall hung hardware included
 - U.S. PATENT PENDING

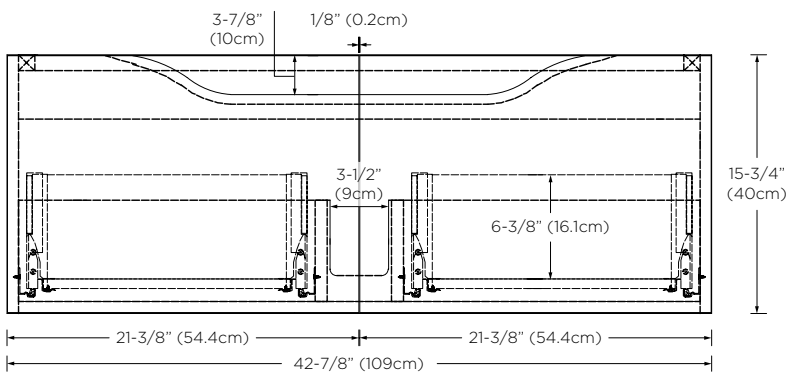
All Ronbow cabinets are made of solid hardwood or hardwood plywood and meet strict CARB II Standards. No particle board or Micro-Density Fiberboard (MDF) are used.

Available Finish : Glossy White (E23)

Top



Front



Side

