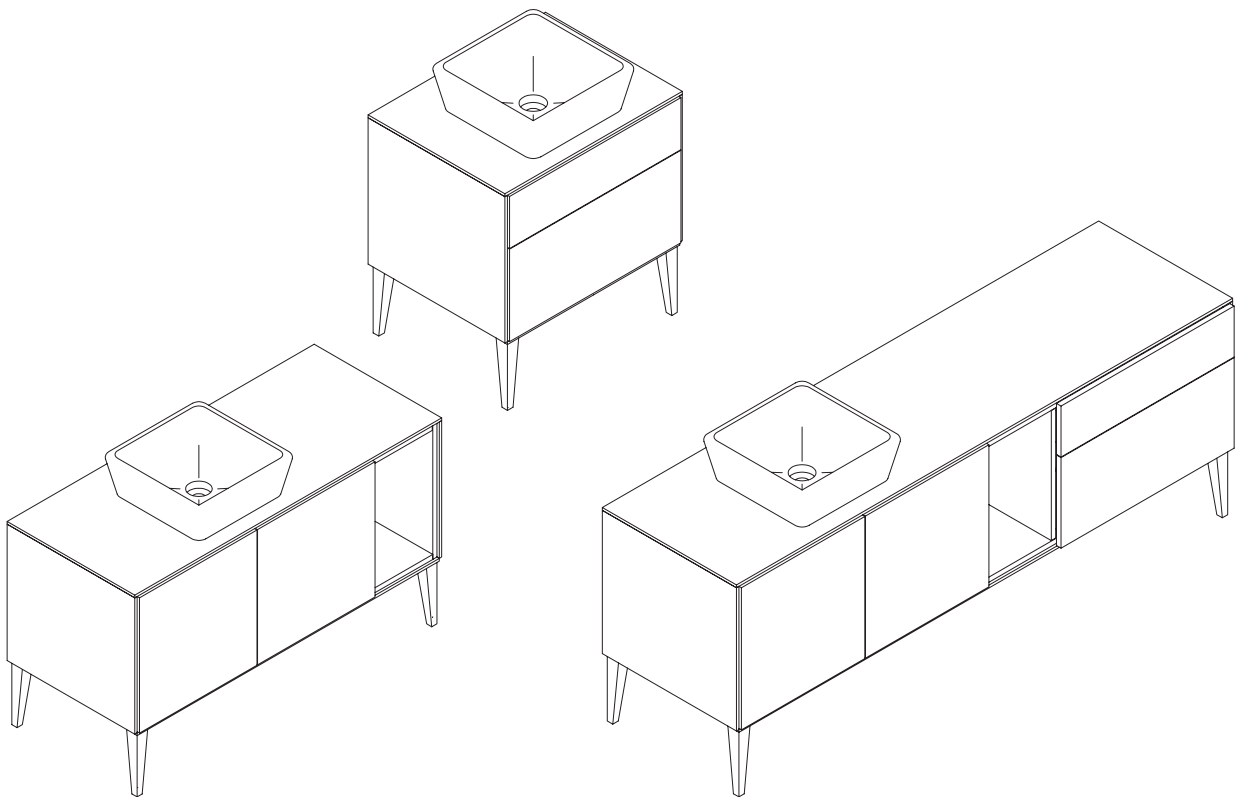


RAINBOW SIGNATURE™



INSTALLATION AND CARE GUIDE

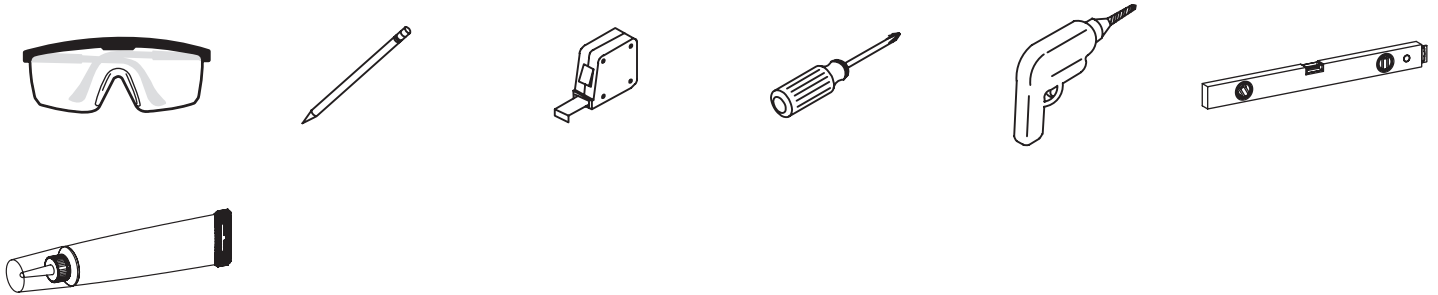
VANITY
E031127
E031139
E031151
E031178

Model : E031127 E031151
E031139 E031178

Designed By: MATTEO THUN & ANTONIO RODRIGUEZ | ITALY

PRE-INSTALLATION

Tools Required



NOTE: Team work required

Materials Included

E031127 & E031139

- 12 long screws for the leg
- 4 short screws for the two front legs
- 4 solid wood legs
- 4 leg levelers

E031151 & E031178

- 16 long screws for the legs
- 4 short screws for the two front legs
- 5 solid wood legs
- 5 leg levelers

Materials Required

E031127 & E031139

- 1 2x6 beam cut to size
- 3 2-1/2" wood screws

E031151 & E031178

- 1 2x6 beam cut to size
- 6 2-1/2" wood screws

Model : E031127 E031151
E031139 E031178

Designed By: MATTEO THUN & ANTONIO RODRIGUEZ | ITALY

INSTALLATION

Step 1: Carefully lay down the cabinet on its back.

Line up the leg with the holes located on the cabinet.

See Figure 1.

Step 2: Use the short screws for top two holes on the front legs, and long screws for the bottom two holes in each leg.

Step 3: Install the leg leveler to each leg.

See Figure 1.

NOTE: For the 51" or 78" repeat steps 1-2 to install the fifth leg.

See Figure 2.

Step 4: Fasten each leg leveler to the bottom of each leg.

See Figure 3.

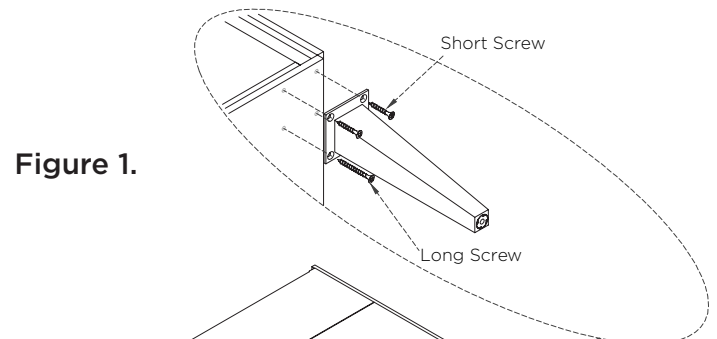


Figure 1.

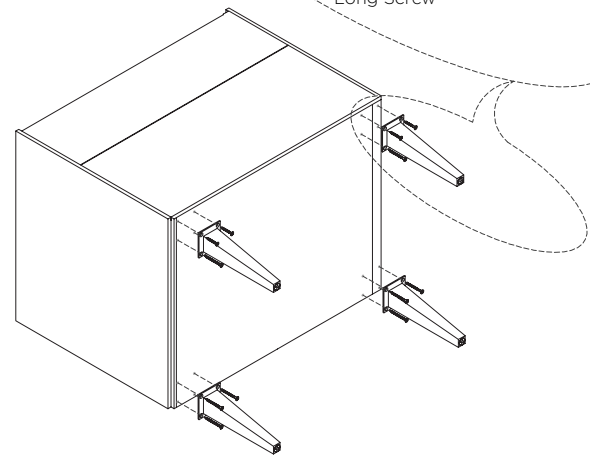


Figure 2.

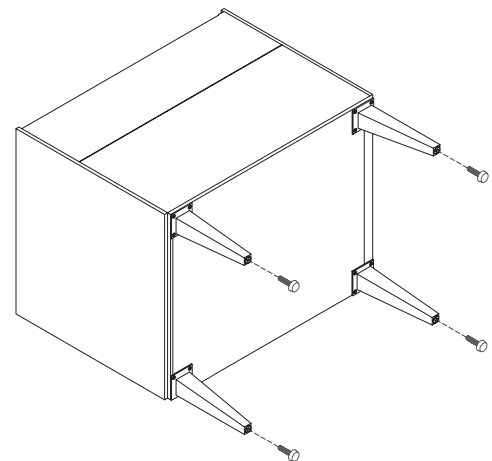
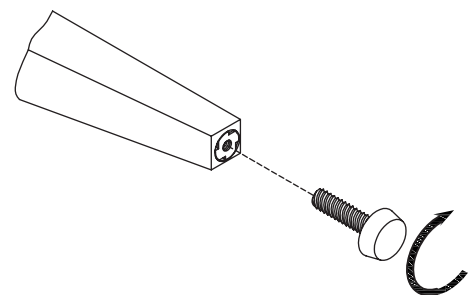


Figure 3.

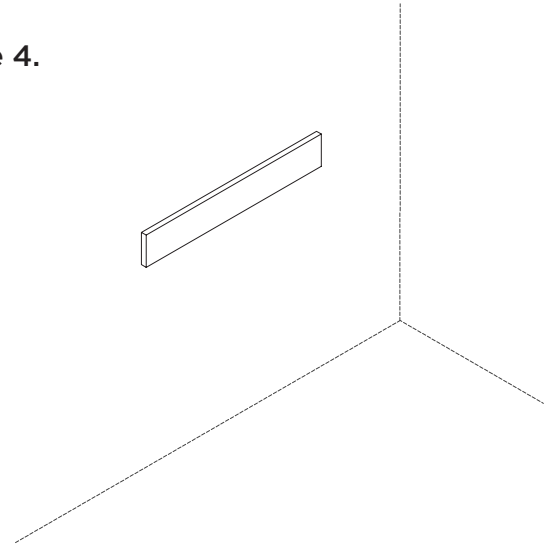


Model : E031127 E031151
E031139 E031178

Designed By: **MATTEO THUN & ANTONIO RODRIGUEZ | ITALY**

Step 5: Determine the ideal location of your new vanity.

Figure 4.



Step 6: Stand the cabinet upright.

Determine the ideal position of the vanity and place the horizontal studs into the wall

NOTE: the location needs at least two studs. Front notch the studs and install the 2x6 horizontal beam 30-3/4" from the floor.

See Figure 4.

Step 7: Mark the location of the supporting beam.
The cabinet should always be handled by two people while moving to the desired location.
NOTE: Team work required

Note: It is important to attach to the wall to properly secure the vanity.

Step 8: For the 27" or 39" vanity, please remove the drawers prior to securing the vanity to the wall.

NOTE: Please see Pg.6 for instructions on how to remove the drawers.

Model : E031127 E031151
E031139 E031178

Designed By: **MATTEO THUN & ANTONIO RODRIGUEZ | ITALY**

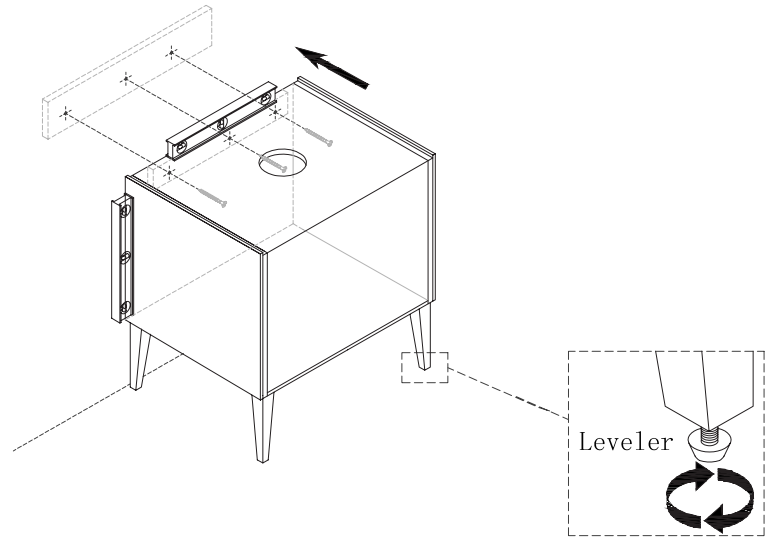
Step 9: Position the cabinet against the wall and line up with the supporting beam location.

Fasten the long screws into the wall from the inside of the cabinet

NOTE: For 27" or 39" or 51", it requires 3pcs of 2-1/2" wood screws. For 78" vanity, it requires 6pcs 2-1/2" wood screws.

See Figure 5.

Figure 5.



INSTALLING THE VANITY TOP

Step 1: Position the vanity top over the vanity. Verify the top is level.

NOTE: Team work required

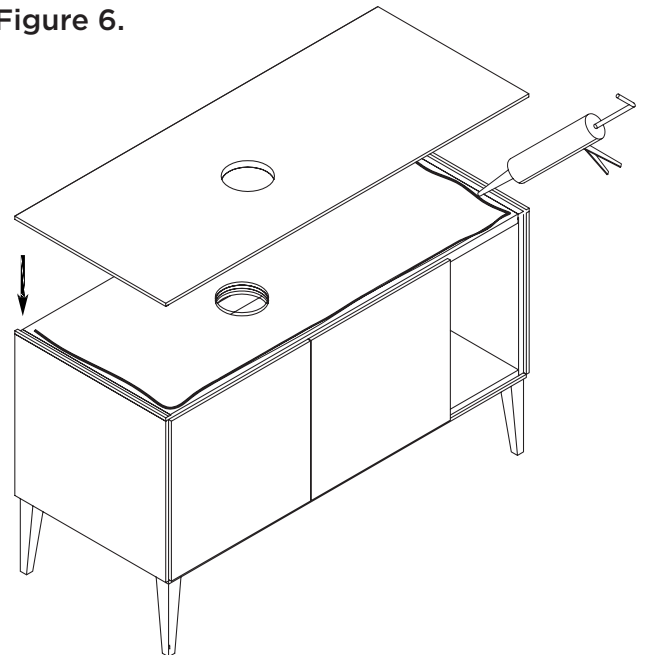
Apply a small bead of silicone as shown in diagram on the right.

Step 2: Position the top over the vanity and press firmly.

Follow the directions on the silicone product to allow for ample drying time.

See Figure 6.

Figure 6.



Model : E031127 E031151
E031139 E031178

Designed By: MATTEO THUN & ANTONIO RODRIGUEZ | ITALY

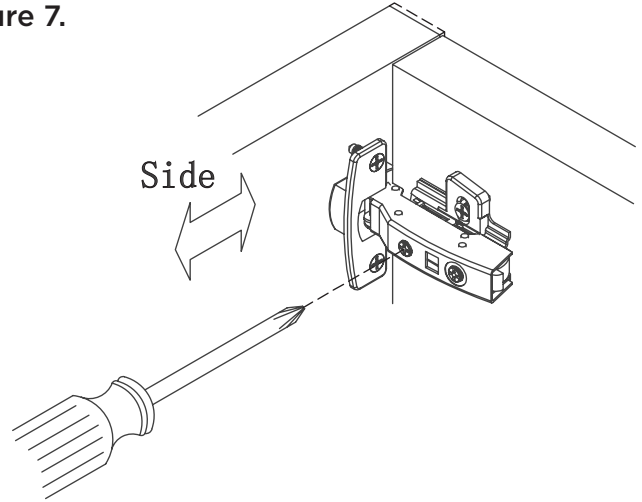
ADJUST DOOR HINGE

Side to Side

Locate the screw nearest the hinge cup and rotate clockwise or counter-clockwise to move the door from side to side.

See Figure 7.

Figure 7.

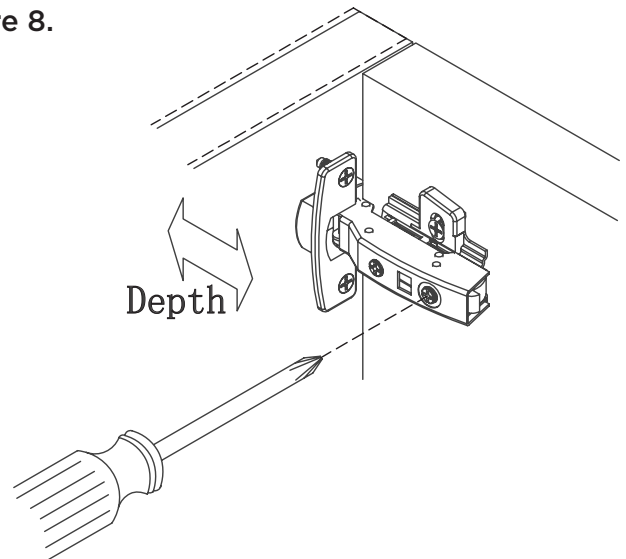


Front to Back

Locate the screw furthest away from the hinge cup and turn the screw clockwise or counter-clockwise to move the door from front to back.

See Figure 8.

Figure 8.

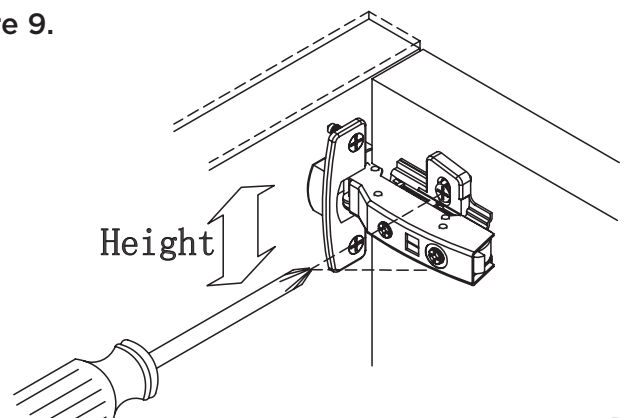


Top to Bottom

Locate the screw pictured in Figure 6. Turn the screw clockwise or counter-clockwise to move the door from top to bottom.

See Figure 9.

Figure 9.



NOTE: When adjusting the door hinges keep in mind to adjust the other hinges.

Model : E031127 E031151
E031139 E031178

Designed By: MATTEO THUN & ANTONIO RODRIGUEZ | ITALY

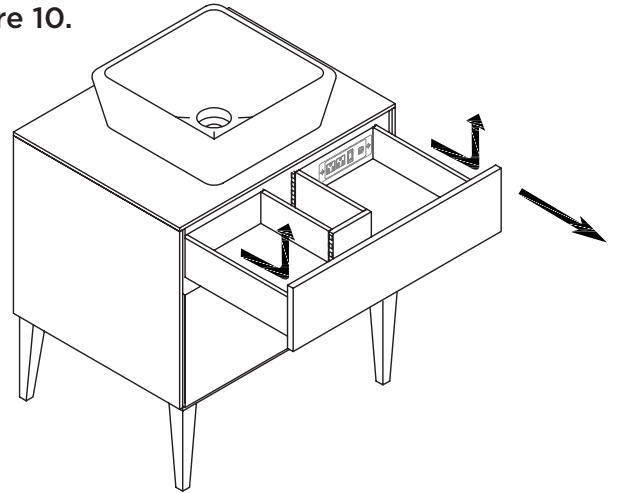
REMOVE DRAWER

Step 1: Remove the 3 screws holding the wire harness in the back of the vanity.

Step 2: Open the drawer and lift upwards from the drawer face to remove the drawer.

See Figure 10.

Figure 10.



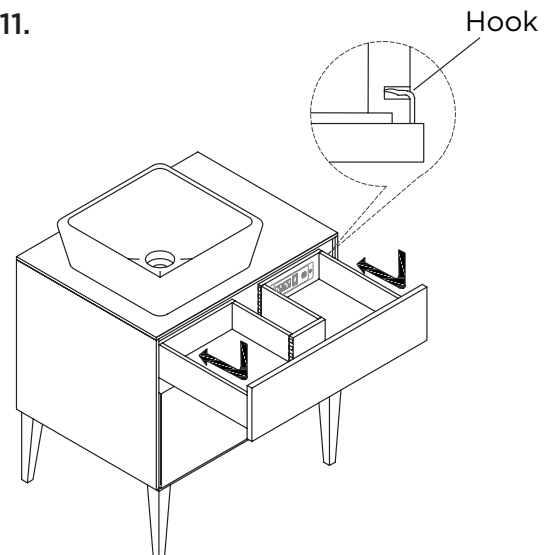
REINSTALL DRAWER

Step 1: Line up the drawer with the slides and slide inward towards the vanity until the hook in the back locks the drawer in to place.

See Figure 11.

Step 2: Re-attach the screws that hold the wire harness in back of the vanity.

Figure 11.



Model : E031127 E031151
E031139 E031178Designed By: **MATTEO THUN & ANTONIO RODRIGUEZ** | ITALY

PRODUCT CARE AND MAINTENANCE

The fine furniture finish of your new vanity, mirror or other bathroom accessories are designed to protect against normal home use. With proper care, your product will provide years of use and beauty in your home.

General Care Tips

- Test cleaning product on small, discrete area prior to applying to entire surface.
- Wipe surfaces frequently with dry, soft, non-abrasive and lint-free towel.
- Do not allow liquids and moisture to accumulate on the surface of products.
- For warranty information, please visit our website at www.ronbow.com or contact the Customer Service Department at (510) 713-1188.

Wood Surfaces

- If a spill occurs, clean and dry the surface immediately as liquid can soak through the surface and cause greater damage.
- Do not place in direct sunlight. Exposure to sunlight may affect the appearance of your vanity, and the finish will eventually crack.
- Keep away from direct sources of extreme temperatures as heat, cold or moisture from humidity. Color changes, or blemishes in the wood can occur if recommended care of is not met. Try to avoid these extremes.
- Most wood surfaces can be cleaned, or dusted, with any commercial wood cleaning product. For general cleaning, use a non-abrasive, or lint-free cloth while dusting along the wood grain to preserve the wood's characteristics.

Recommended Products

- Pledge Orange Oil, or similar
- Orange-Glo Wood Cleaner

DISCLAIMERS: Wood naturally ages, darkens and changes color over time due to several environmental conditions that may cause materials to vary from their original color and/or to warp, split or crack. These variations are considered to be the nature of the material in relation to their environmental exposure and may be significant over a long period of time. The effectiveness of cleaning Ronbow product is dependant on various factors that include sunlight, smoke, moisture, household cleaners and/or amount of cleaning product used over time. Ronbow cannot guarantee that the above Product Care & Maintenance methods will effectively clean your product.

Model : E031127 E031151
E031139 E031178

Designed By: MATTEO THUN & ANTONIO RODRIGUEZ | ITALY

TechStone™

- Clean up any spills or liquids immediately. Never allow liquids of any kind to remain on surface.
- Use a non-abrasive, damp cloth to wipe down surfaces.
- Use a gentle (pH balanced) detergent with warm water to clean the surface of your vanity top.
- DO NOT use any abrasive cleaning products that contain any of the following chemicals: trichloroethane or methylene chloride (such as paint removers or strippers), hydrofluoric acid, liquid bluing or gentian violet.

Recommended Products

- Simple Green Stone Cleaner

DISCLAIMERS: Effectiveness of cleaning your Ronbow products is dependent on various factors that include: water temperature, concentration and/or amounts of cleansers. Because of these many different conditions, Ronbow cannot guarantee that the above Product Care & Maintenance methods will effectively clean your product.

RONBOW

40650 Encyclopedia Circle
Fremont, CA 94538

T 510.713.1188
F 510.657.9388