

**Model :** E031127

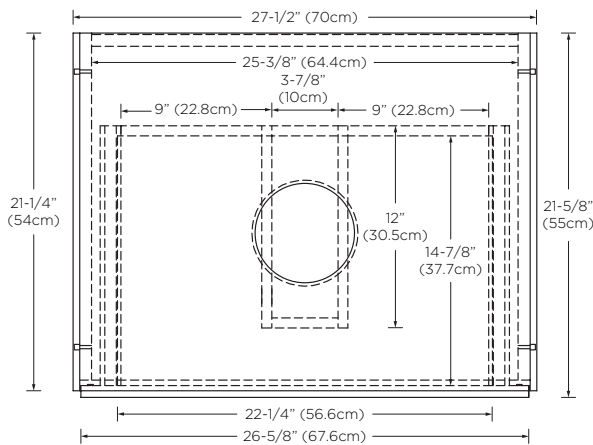
Designed By: **MATTEO THUN & ANTONIO RODRIGUEZ** | ITALY

- Features :**
- 2 UL approved electrical outlets and 2 USB ports with power switch in top drawer on right
  - 2 push open/close, full-extension drawers with Hettich brand hardware
  - Glass bottom drawer box
  - Woven fiber drawer liners
  - Solid wood construction (no MDF)
  - Multi-step polyurethane finish resists moisture and scratches
  - Fully finished interiors
  - Push-open hardware
  - Leg levelers included
  - Wall mount optional
  - U.S. PATENT PENDING

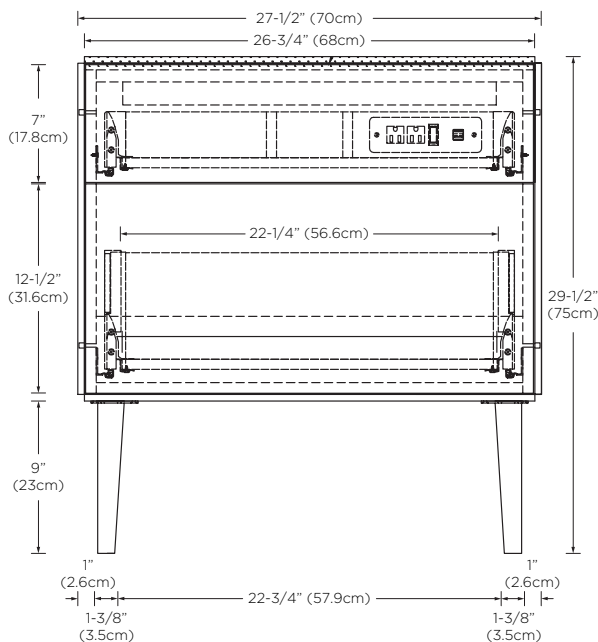
All Ronbow cabinets are made of solid hardwood or hardwood plywood and meet strict CARB II Standards. No particle board or Micro-Density Fiberboard (MDF) are used.

**Available Finish :** American Walnut with Glossy Black legs (E56)  
American Walnut with Sabbia Beige drawer fronts and sides with Glossy Black legs (E90)

Top



Front



Side

