

Model : E021031

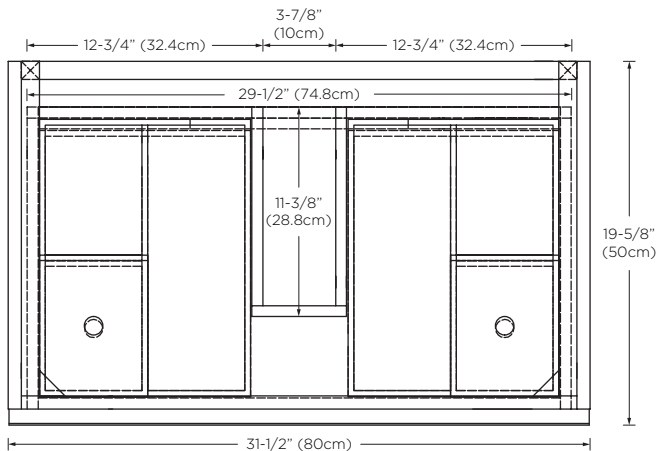
Designed By: **DANELONMERONI** | UK

- Features :**
- Full-extension and soft-close drawer with Hettich brand hardware
 - Hidden U-shaped bamboo drawer
 - Solid bamboo drawer organizers
 - Woven fiber drawer liners
 - Polished Nickel(PN) full width drawer pull
 - Fully finished interior with Light Bamboo (E71) accent
 - Dovetail drawer construction
 - Solid wood construction(no MDF)
 - Multi-step polyurethane finish resists moisture and scratches
 - Wall hung hardware included
 - U.S. PATENT PENDING

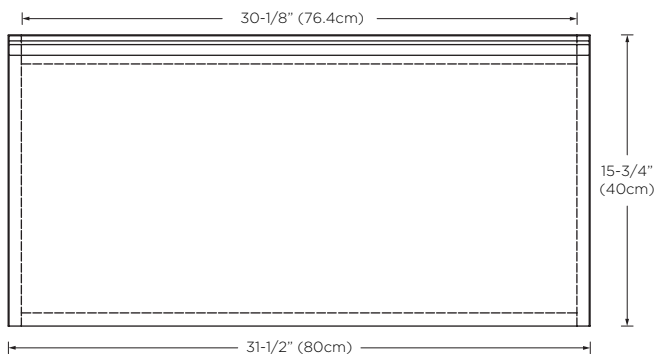
All Ronbow cabinets are made of solid hardwood or hardwood plywood and meet strict CARB II Standards. No particle board or Micro-Density Fiberboard (MDF) are used.

Available Finish : White (W01)

Top



Front



Side

