

Model : E020627

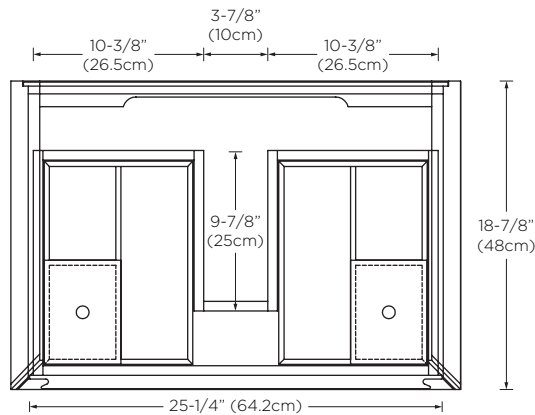
Designed By: **DANELONMERONI** | UNITED KINGDOM

- Features :**
- Tapered and beveled edge legs
 - Solid wood drawer organizers
 - Woven fiber drawer liners
 - Full-extension, soft-close drawers with Hettich brand hardware
 - 2 drawers with drawer finger pulls
 - Dovetail drawer construction
 - Fully finished interior
 - Solid wood construction (no MDF)
 - Multi-step polyurethane finish resists moisture and scratches
 - Leg levelers included
 - U.S. PATENT PENDING

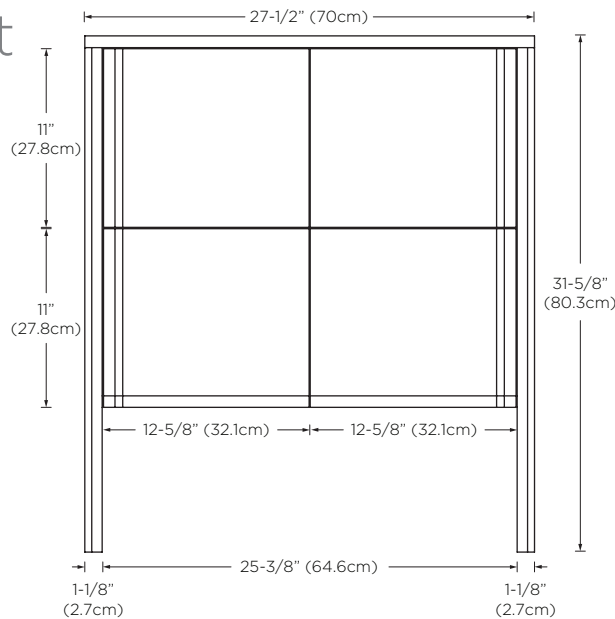
All Ronbow cabinets are made of solid hardwood or hardwood plywood and meet strict CARB II Standards. No particle board or Micro-Density Fiberboard (MDF) are used.

Available Finish : Bristol Beige (E40)

Top



Front



Side

