

Model : E010154

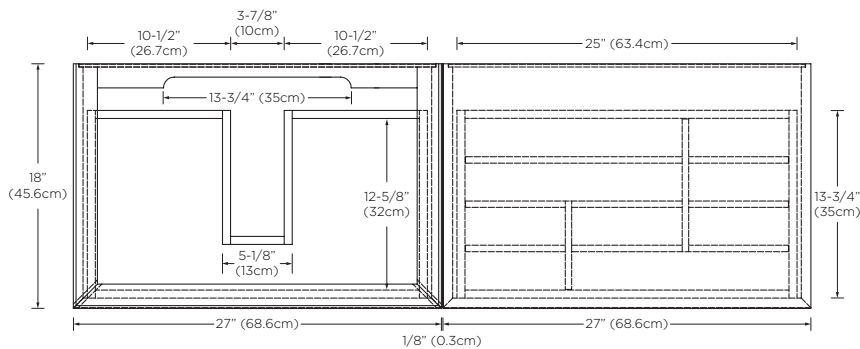
Designed By: **PHOENIX DESIGN | GERMANY**

- Features :**
- Brushed Nickel (BN) stainless steel legs
 - Contrasting American Walnut (E56) bottom platform base and drawer boxes
 - Full-extension, soft-close drawers with Hettich brand hardware
 - Solid wood drawer box with dovetail construction and drawer finger pulls
 - Woven fiber drawer liners
 - Fully finished interiors
 - Solid wood construction (no MDF)
 - Multi-step polyurethane finish resists moisture and scratches
 - Leg levelers included
 - U.S. PATENT PENDING

All Ronbow cabinets are made of solid hardwood or hardwood plywood and meet strict CARB II Standards. No particle board or Micro-Density Fiberboard (MDF) are used.

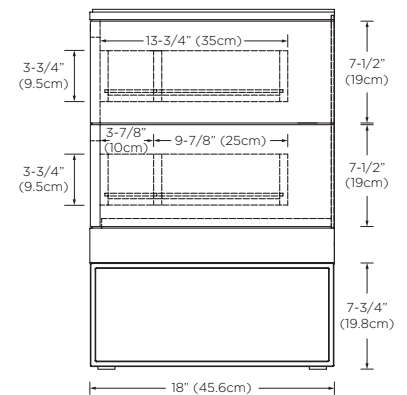
Available Finish : Stone Gray (E73) with American Walnut (E56) interiors and bottom platform base

Top

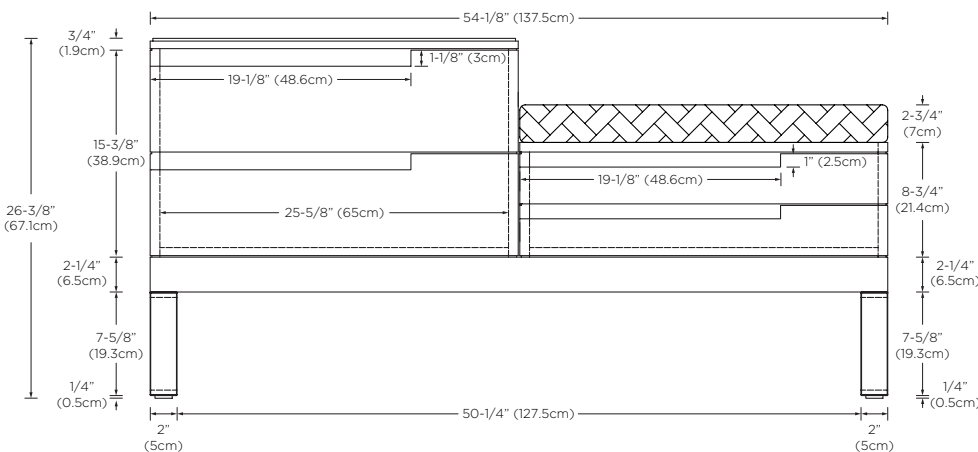


Sides

"Sink Stack"



Front



"Bench Stack"

